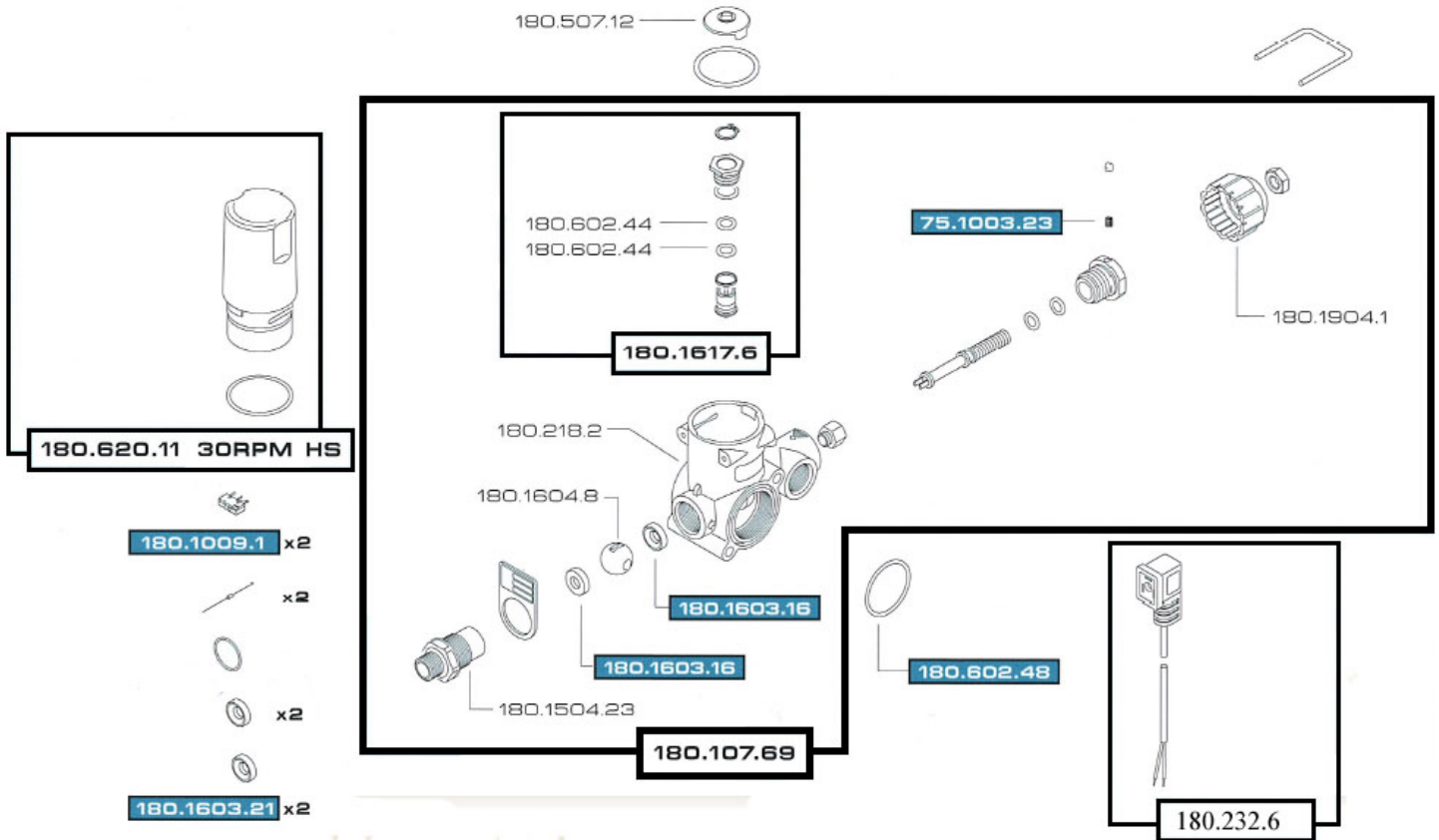


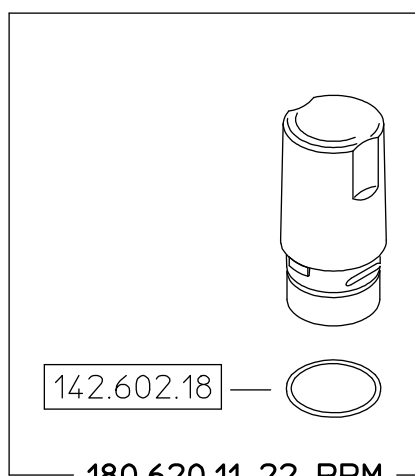
B180.1910.24 (Electric Valves)



Max. Pressure	L / Min – 1 bar	12Vdc	Inlets	Outlets	On/Off Speed	Temperature
40 bar 580 psi	60 lpm	0.3 – 0.7 A	1/2" M	2 x 1 1/4" F	0.3 s	-10 °C +50 °C

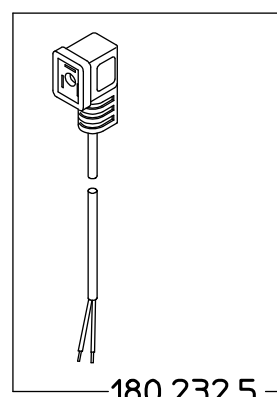


180.1910.24



142.602.18

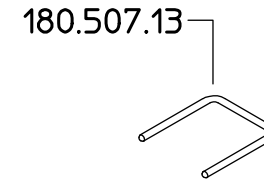
180.620.11 22 RPM



180.232.5

180.507.12

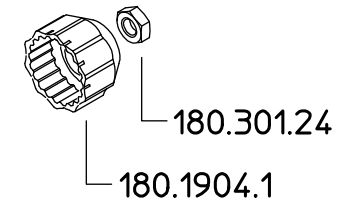
180.602.49



180.507.13

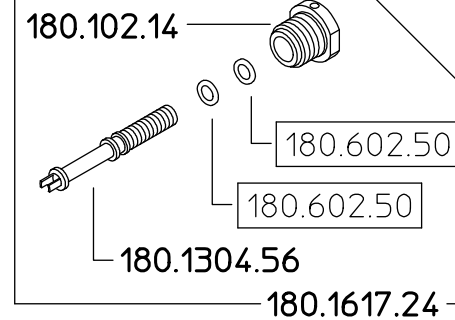
280.507.8

75.1003.23



180.301.24

180.1904.1



180.102.14

180.1304.56

180.602.50

180.602.50

180.1617.24

- 180.4.8
- 180.614.7
- 68.602.9
- 180.602.44
- 180.602.44
- 180.1506.26
- 180.1304.55

180.1617.6

180.218.2

180.1604.8

180.1709.1

200.402.9

180.1603.16

180.1603.16

200.402.10

180.1504.23

180.107.69

180.1603.19

180.602.48

Solo per kit
Only for kit



180.1009.1 x2



180.1009.3 x2



180.306.1 x2



180.602.30



180.1603.18 x2



180.1603.21 x2

Come si ordina/How to order
Kit ricambio-Cod. **180.302.31**
Spare parts kit-C/N.

DENOMINAZIONE: Valvola sfera 12Vcc bypass G1/2 HS		N°revisione 05	Data revisione: 11/09/09
Braglia SRL I-42029 Masone (REGGIO EMILIA)-ITALY-UE Email: braglia@braglia.it	Tel. ++39 0522 340648	STE	RTE
	Fax. ++39 0522 345025	180.1910.24	