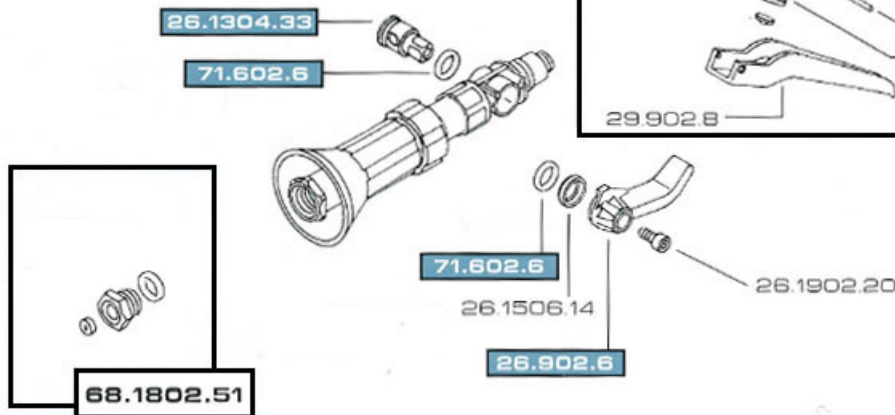
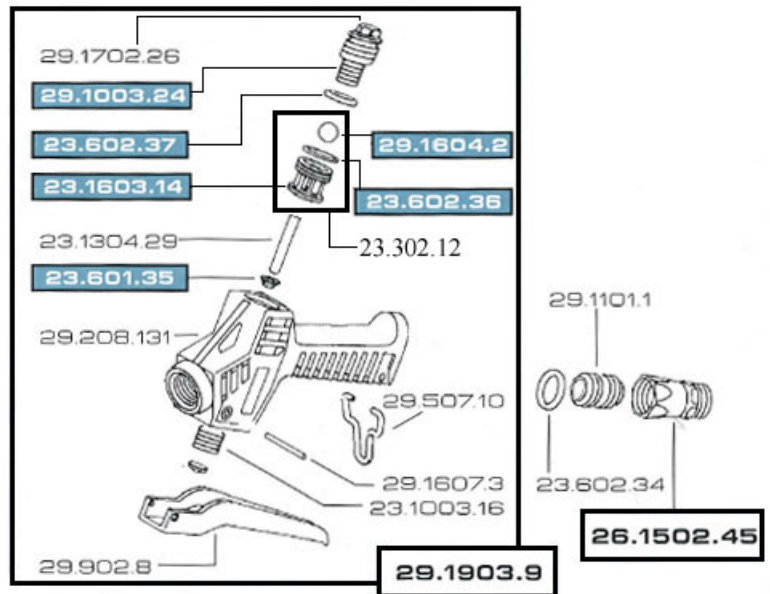
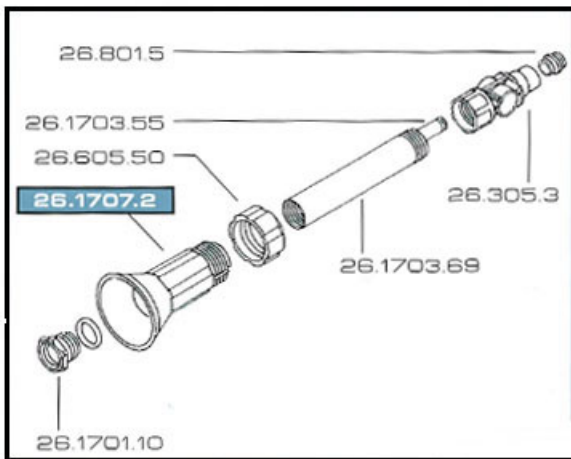


B26.901.165



Multi purpose high pressure spray gun, recommended for vineyards, orchards and greenhouses. Spray Pattern adjusts from straight stream to full cone & the “Turbo” atomizer produces an extremely fine, soft impact spray ideal for spraying in green houses. Supplied with hose swivel. Available with reinforced nylon or metal handle.

Maximum Spray Tip Hole: 3.5 mm
Maximum Pressure: 50 bar / 700 psi
Weight: Without swivel = 620g
 With swivel = 690g
Length: 400 mm / 16”



A valve kit for the turbo gun is available for the **B26.901.165** under the following part number **B23.302.6**.
A complete repair kit is also available under the following part number **B26.302.6**.