

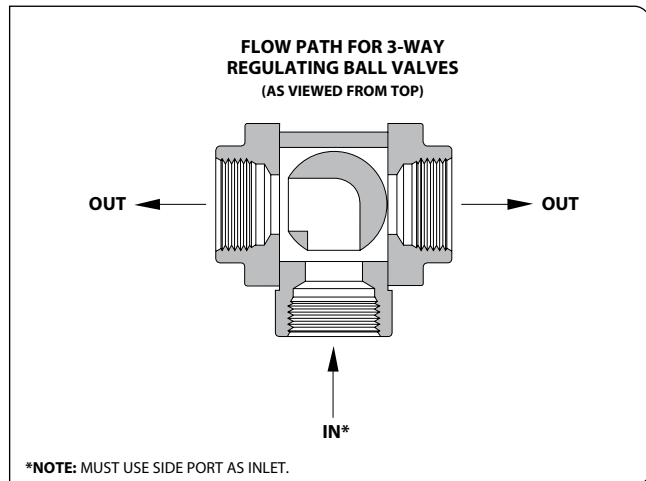


344B and 346B Pressure Regulating Ball Valves

The 340 series electrical regulating valves are designed to produce linear flow regulation and shutoff control in agricultural applications. Both models are available in several styles and motor speeds to accommodate different types of applications.

Features:

- Available in 2-way and 3-way versions.
- Available in 1, 3, or 6 RPM motor speeds. Note: The PR versions cycle time is double that of an R or RL version.
- Two-wire lead provides easy installation with 12 VDC systems.
- Low power consumption, less than 1 amp.
- Offered in a variety of inlet/outlet connections. See pages 102–104 for additional information and options.
- Wetted parts are Nylon, polypropylene, stainless steel, Teflon®, and Viton®.
- See pages 66–68 for additional information on B style motors.



R & RL Series



344 BPR Series



346 R Series



346 BPR Series

Butterfly Valve

AA(B)244C-3/4 Remote Control Electric Regulating Butterfly Valve

The AA244C remote control electric regulation valve has been specifically designed to provide remote pressure control in agricultural applications using DirectoValve AA144A or AA145 solenoid shutoff valves.

Features:

- Unrestricted flow when wide open – Flow Rate: 28 GPM (106 l/min) at 5 PSI (0.34 bar) drop, 40 GPM (151 l/min) at 10 PSI (0.69 bar) pressure drop.
- Bypass flow rate: 2 GPM (7.5 l/min) @ 10 PSI (0.7 bar).

- Operates in 12 VDC system and may be controlled by a double-pole double-throw spring-centered switch.
- Maximum operating pressure of 100 PSI (7 bar).
- Two-wire lead for use in 12 VDC system.
- 3/4" (F) NPT or BSPT connections.
- Easy installation (flows either direction).
- Good corrosion resistance.
- Low current draw (0.10 AMP).
- 20 second response time.



How to order:

Specify model number.
Example: AA(B)244C-3/4
(B) = BSPT



Sample Valve Part Number:

(B)344BRL-2FS-01C15AB

OUTLET THREADS	
PART CODE	DESCRIPTION
BLANK	ALL THREADS TO BE NPT (IF EQUIPPED)
(B)	ALL THREADS TO BE BSPT (IF EQUIPPED)

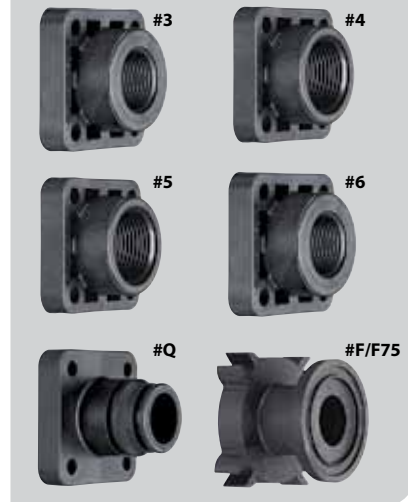
MODEL SPECIFICATIONS	
PART CODE	DESCRIPTION
344B/346B	REGULATING VALVE

MOTOR SPECIFICATIONS	
PART CODE	DESCRIPTION
R	REGULATING VALVE
RL	LINEAR REGULATING VALVE (344 SERIES ONLY)
*PR	PRESSURE REGULATING VALVE

*Not available in stainless steel.

VALVE TYPES	
PART CODE	DESCRIPTION
2	2-WAY VALVE
3	3-WAY VALVE (PR & R ONLY)

END CAPS OR OUTLET FITTINGS	
PART CODE	DESCRIPTION
3	3/4" PIPE THREAD (344 SERIES ONLY)
4	1" PIPE THREAD (344 SERIES ONLY)
5	1 1/4" PIPE THREAD (346 SERIES ONLY)
6	1 1/2" PIPE THREAD (346 SERIES ONLY)
Q	QUICK CONNECT (344 SERIES ONLY)
F	50 SERIES FLANGE
F75	75 SERIES FLANGE (346 SERIES ONLY)



See pages 102-104 for QC and flange fittings.

INLET/OUTLET REQUIRED CONNECTIONS
THE INLET/OUTLET FITTINGS ARE ORDERED SEPARATELY

- **3, 4, 5, 6:** When ordering 3/4" (3), 1" (4), 1 1/4" (5) or 1 1/2" (6) threaded NPT or BSPT inlet/outlet type valve connections, the inlets and outlets will be included during assembly.
- **F:** When ordering F or F75 (flange) type valve connections, the inlet/outlet fittings are ordered separately. Clamps and flange fittings are required. See pages 102-103 for flange fitting options.
- **Q:** When ordering QC (Quick Connect) hose barb type valve fittings, the inlet/outlet connections are ordered separately. Two 45529 QC fittings are required for 2-way valves and three each for 3-way valves. See page 104 for QC options.

Note: Many valve configurations are possible by mixing and matching flange fittings.

WIRING CONNECTORS	
SPECIFIC ELECTRICAL CONNECTOR STYLE AND PIN-OUTS. IF NO CONNECTOR IS NEEDED LEAVE BLANK.	
See page 105 for electrical connectors and codes.	

MOTOR CABLES	
PART CODE	DESCRIPTION
C	0.5-METER CABLE
* C03	0.3-METER CABLE
* C15	1.5-METER CABLE
* C60	6.0-METER CABLE
D	DIN CONNECTOR

Items marked with "*" are non-stock items. Please contact your regional sales office for ordering and availability information.

Note: DIN cables must be ordered separately. See page 66 for DIN cables.

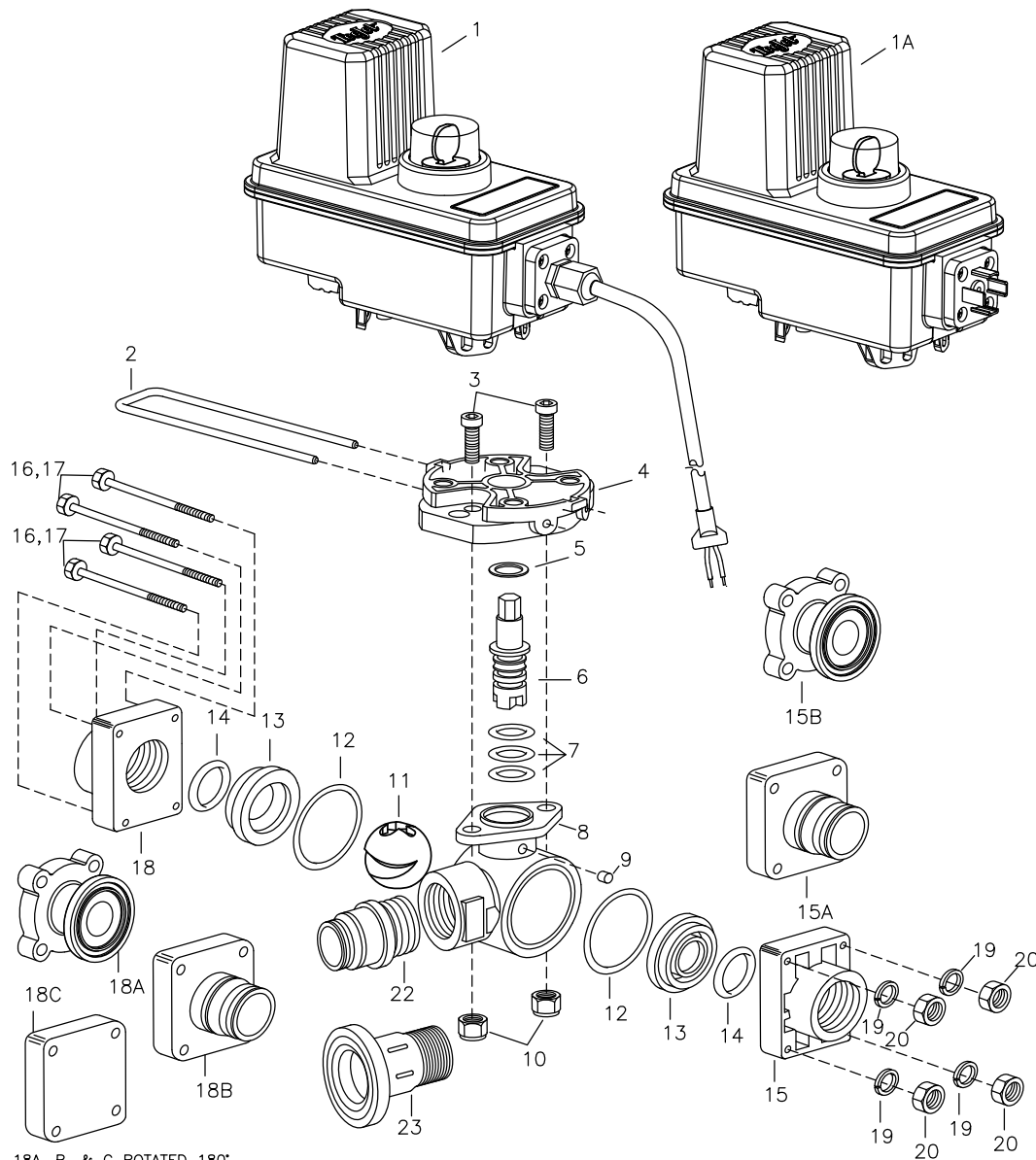
MOTOR SPEEDS	
PART CODE	DESCRIPTION
01	1 RPM (18 SECOND CYCLE TIME) MOTOR
03	3 RPM (6 SECOND CYCLE TIME) MOTOR
06	6 RPM (3 SECOND CYCLE TIME) MOTOR

Note: PR series cycle times are doubled.

BALL MATERIAL SPECIFICATIONS	
PART CODE	DESCRIPTION
BLANK	POLYPROPYLENE BALL
S	STAINLESS STEEL BALL (R & RL SERIES ONLY)

REPAIR KITS	
AB344AE-KIT	AB346B-KIT

Note: AB344AE-KIT for 344A&B Valves



18A, B, & C ROTATED 180°
FOR DISPLAY PURPOSE

ITEM	PART NO.	DESCRIPTION	
1	50996-01C--	PR REGULATING MOTOR, 1-RPM, (36-SEC), 2-WIRE JACKETED CABLE	
	50996-03C--	PR REGULATING MOTOR, 3-RPM, (12-SEC), 2-WIRE JACKETED CABLE	
	50996-06C--	PR REGULATING MOTOR, 6-RPM, (6-SEC), 2-WIRE JACKETED CABLE	
1A	50996-01D	PR REGULATING MOTOR, 1-RPM, (36-SEC), DIN CONNECTION	
	50996-03D	PR REGULATING MOTOR, 3-RPM, (12-SEC), DIN CONNECTION	
	50996-06D	PR REGULATING MOTOR, 6-RPM, (6-SEC), DIN CONNECTION	
2	CP50517-SSPV	RETAINING CLIP, 304 STAINLESS STEEL	
3	CP26197-7/8-SS	SOCKET HEAD CAP SCREW, STAINLESS STEEL (2 REQ'D)	
4	CP50514-PP	MOTOR ADAPTER, POLYPROPYLENE (BLACK)	
5	CP20125-TEF	THRUST WASHER, TEFLON	
*	6	CP56613-SS	STEM, 303 STAINLESS STEEL (FOR POLYPROPYLENE BALL)
*	7	CP7717-M12X2.5-VI	O-RING, VITON (3 REQ'D)
8	CP20102-3/4-NYB	BODY, NYLON (BLACK) (3-WAY, 3/4" NPT THREAD)	
	CPB20102-3/4-NYB	BODY, NYLON (BLACK) (3-WAY, 3/4" BSPT THREAD)	
	CP20102-1-NYB	BODY, NYLON (BLACK) (3-WAY, 1" NPT THREAD, FLANGE & QC)	
	CPB20102-1-NYB	BODY, NYLON (BLACK) (3-WAY, 1" BSPT THREAD)	
9	CP20126-FELT	DUST PLUG, FELT	
*	10	CP38435-1/4-SSNY	ELASTIC LOCKNUT, STAINLESS STEEL (2 REQ'D)
11	CP23483-1-PP	PR BALL, POLYPROPYLENE (WHITE)	
12	CP20564-VI	GASKET, VITON (2 REQ'D)	
*	13	CP20103-TEF	SEAL, TEFLON (2 REQ'D)
*	14	CP7717-2/213-VI	O-RING, VITON (2 REQ'D)
15	CP20104-3/4-NYB	END CAP, NYLON (BLACK) (3/4" NPT THREAD)	
	CPB20104-3/4-NYB	END CAP, NYLON (BLACK) (3/4" BSPT THREAD)	
	CP20104-1-NYB	END CAP, NYLON (BLACK) (1" NPT THREAD)	
	CPB20104-1-NYB	END CAP, NYLON (BLACK) (1" BSPT THREAD)	
15A	CP45514-NYB	END CAP, NYLON (BLACK) (QUICK CONNECT)	
15B	CP48265-NYB	END CAP, NYLON (BLACK) (FLANGE)	
16	CP20129-SS	BOLT, 1/4"-20 X 3" HEX, STAINLESS STEEL (4 REQ'D) (THD & QC)	
17	CP45252-2-3/4-SSPV	SCREW, PAN HEAD, STAINLESS STEEL (4 REQ'D) (FLANGE VERSION)	
18	CP20104-3/4-NYB	END CAP, NYLON (BLACK) (3/4" NPT THREAD) (THREE WAY ONLY)	
	CPB20104-3/4-NYB	END CAP, NYLON (BLACK) (3/4" BSPT THREAD) (THREE WAY ONLY)	
	CP20104-1-NYB	END CAP, NYLON (BLACK) (3/4" NPT THREAD) (THREE WAY ONLY)	
	CPB20104-1-NYB	END CAP, NYLON (BLACK) (3/4" BSPT THREAD) (THREE WAY ONLY)	
18A	CP48265-NYB	END CAP, NYLON (BLACK) (FLANGE) (THREE WAY ONLY)	
18B	CP45514-NYB	END CAP, NYLON (BLACK) (QUICK CONNECT) (THREE WAY ONLY)	
18C	CP20104-3/4-NYB	END CAP, NYLON (BLACK) (BLANK) (2 WAY ONLY)	
19	CP20128-SS	LOCK WASHER, 1/4", STAINLESS STEEL (4 REQ'D) (THD & QC)	
20	CP8535-SS	NUT, 1/4"-20 HEX, STAINLESS STEEL (4 REQ'D) (THD & QC)	
22	CP45526-NYB	1" NPT THREADED QUICK CONNECT ADAPTER, NYLON (BLACK)	
22	CP45527-NYB	3/4" NPT THREADED QUICK CONNECT ADAPTER, NYLON (BLACK)	
23	CP48155-PP	THREADED FLANGE ADAPTER, POLYPROPYLENE (BLACK) (FLANGE ONLY)	

AB344AE-KIT, SPARE PARTS KIT (INCLUDES ALL ITEMS MARKED WITH *)

NOTE: (B) IN PART NUMBER INDICATES B.S.P.T INLET AND OUTLET CONNECTIONS
 * NOTE: FOR JACKETED CABLE MOTORS SPECIFY CABLE LENGTH IN PART NUMBER-
 03 (0.3-METER), 05 (0.5-METER), 15 (1.5-METER) OR 60 (6.0-METER).

DESCRIPTION:

344BPR
DIRECTOVALVE®
PRESSURE REGULATING
ELECTRIC BALL VALVE
2 WAY & 3 WAY



Spraying Systems Co.®

Spray Nozzles and Accessories
 P.O. Box 7900 - Wheaton, IL 60187-7901

Rev. No. 2

Ref. 11/6/2009

PARTS LIST

PL344BPR

SHEET OF