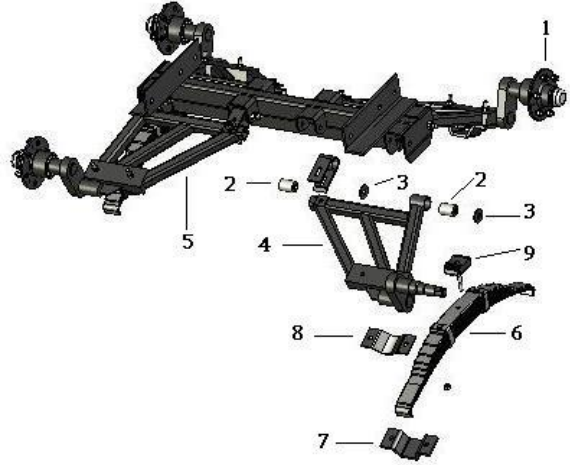
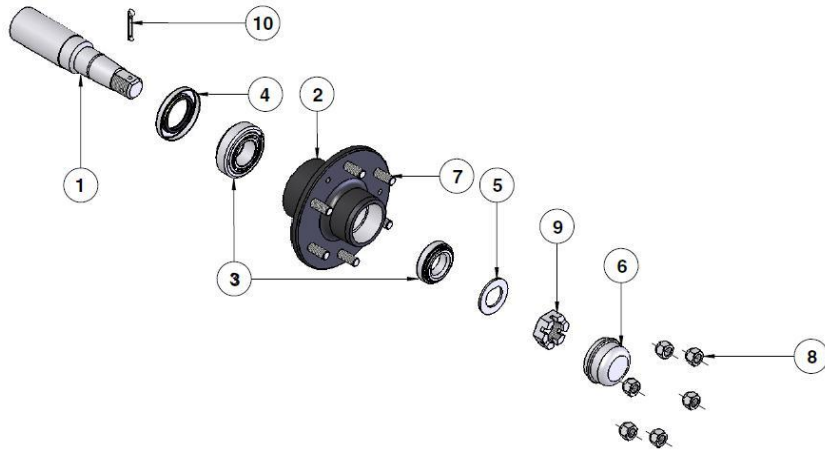


## CROPLANDS PART NUMBERS: BP-400DB 2000L SUSPENSION TANDEM AXLE 1350mm TRACK WIDTH



Item	Part No.	Description	Qty
1	<b>BP-400DB-1</b>	STUB AXLE 50mm RND 6/139.7PCD TITAN ANDY	4
2	<b>BP-400-2</b>	PIVOT BUSH TRAILING ARM 5/8"	8
3	<b>BP-400-3</b>	THRUST WASHER	4
4	<i>BP-400DB-2</i>	TRAILING ARM LEFT FRONT/ RIGHT REAR	2
5	<i>BP-400DB-3</i>	TRAILING ARM RIGHT FRONT/LEFT REAR	2
6	<b>BP-400DSRING</b>	SPRING & SPRING SEAT ASSEMBLY	2
6	<b>BP-400SPRING</b>	HEAVY DUTY SPRING	
7	<b>BP-400ADLA-7</b>	SPRING CLAMP	4
8	<b>BP-400D-8</b>	ANTI RATTLE PLATE	4
9	<i>BP-400D-9</i>	SPRING SEAT	2
10	<b>MT10013</b>	SPEED SENSOR MOUNTING BRACKET <i>(not shown)</i>	1

Note: Drawing is for illustration purpose only  
Refer to parts list.



**STUB AXLE BP-400DB-1**

Item	Part No.	Description
1	<i>BP-400DB-1-1</i>	STUB 50RND x199mm LONG
2	<i>BP-400DB-1-2</i>	HUB 6/139.7PCD
3	<i>BP-400DB-1-3</i>	BEARING KIT 30206/30208
4	<i>BP-400DB-1-4</i>	SEAL M81.03 x 46 x10
5	<i>BP-400DB-1-5</i>	FLAT WASHER 1"
6	<i>BP-400DB-1-6</i>	DUST CAP
7	<b>BP-400DSTUB-7</b>	WHEEL STUD 1/2"
8	<b>BP-400DSTUB-8</b>	WHEEL NUT 1/2"
9	<i>BP-400DB-1-9</i>	SLOTTED NUT 1"
10	<b>BP-400DSTUB-10</b>	SPLIT PIN M50x5

Note: Parts in italics are non-stock items and may need to be ordered