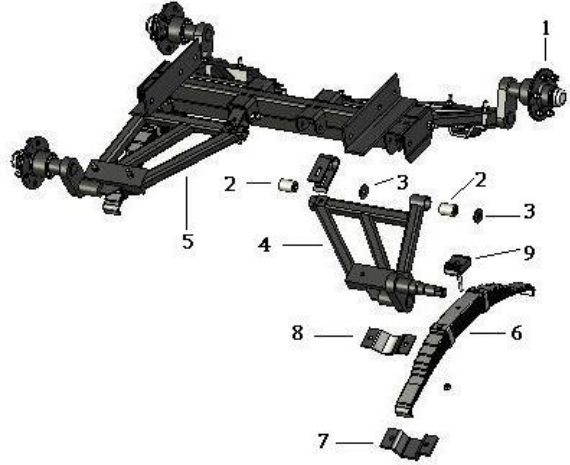


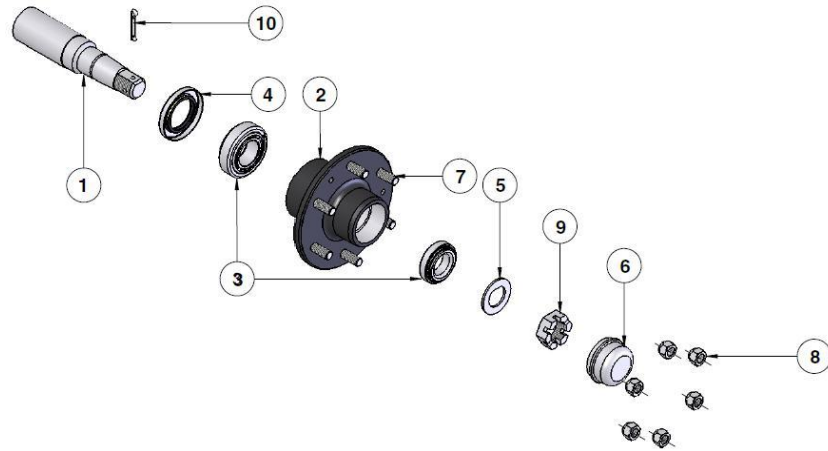
**CROPLANDS PART NUMBERS: BP-400JA**

**3000L SUSPENSION TANDEM AXLE 1475mm TRACK WIDTH**



Item	Part No.	Description	Qty
1	<b>HP-199DB</b>	STUB AXLE 65MM RND 6/205PCD TITAN ANDY	4
2	<b>BP-400-2</b>	PIVOT BUSH TRAILING ARM 5/8"	8
3	<b>BP-400-3</b>	THRUST WASHER	4
4	<i>BP-400JA-1</i>	TRAILING ARM LEFT FRONT/RIGHT REAR	2
5	<i>BP-400JA-2</i>	TRAILING ARM RIGHT FRONT/LEFT REAR	2
6	<b>BP-400JASPRING</b>	SPRING AND SPRING SEAT ASSY	2
7	<b>BP-400D-7</b>	SPRING CLAMP	2
8	<b>BP-400D-8</b>	ANTI RATTLE PLATE	2
9	<i>BP-400JA-9</i>	SPRING SEAT ASSY	2
	<b>MT10013</b>	SPEED SENSOR MOUNTING BRACKET <i>(not shown)</i>	1

*Note: Drawing is for illustration purpose only  
Refer to parts list.*



**STUB AXLE HP-199DB**

Item	Croplands P/N	Max Description
1	<i>HP-199DB-1</i>	STUB 65RND x187mm LONG
2	<b>HP-199DA-2</b>	HUB 6/205PCD
3	<b>HP-199DA-3</b>	BEARING KIT 30208/30211
4	<b>HP-199DA-4</b>	TRIPLE LIP SEAL 100x70x12mm
4a	<b>HP-199DA-4A</b>	SEAL RING 57x70.5x16.5mm <i>(not shown)</i>
4b	<b>HP-199DA-4B</b>	WEAR RING TO SUIT T.L.S <i>(not shown)</i>
5	<b>N/A</b>	N/A
6	<b>HP-199DA-6</b>	DUST CAP <i>(3 screws items 11 and 12)</i>
7	<b>HP-199F-7</b>	WHEEL STUD M18x1.5x65
8	<b>HP-199F-8</b>	WHEEL NUT M18x1.5
9	<b>HP-199DA-9</b>	SLOTTED NUT M33x2
10	<b>HP-199DA-10</b>	SPLIT PIN M50x6
11	<b>HP-199DA-11</b>	SOCKET HEAD CAP SCREW M8x25 <i>(not shown)</i>
12	<b>HP-199E-12</b>	RIB LOCK WASHER M8 <i>(not shown)</i>

*Note: Parts in italics are non-stock items and may need to be ordered*