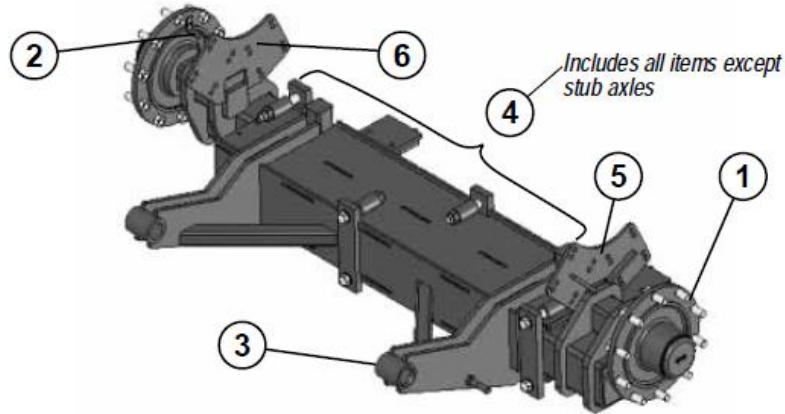
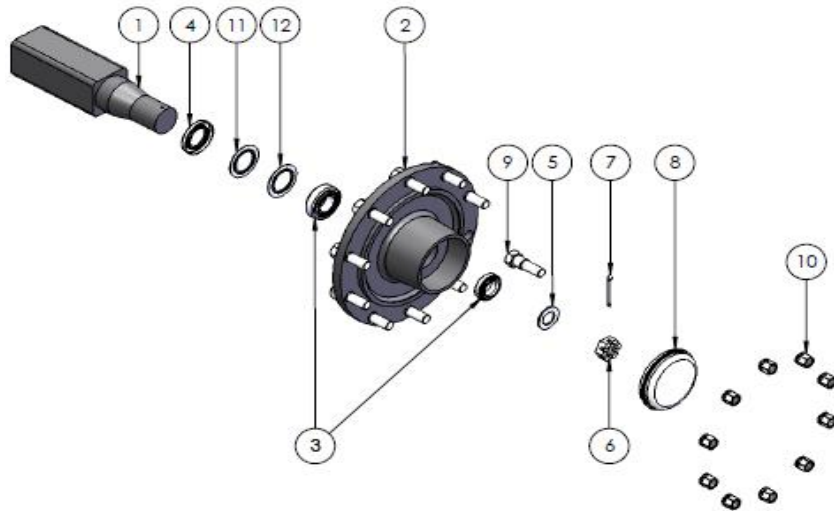


**CROPLANDS PART NUMBERS: BP-509F PEGASUS 6000L ADJUSTABLE AIRRIDE AXLE 10 STUD**



Item	Part No.	Description	Qty
1	<b>BP-532</b>	STUB AXLE 90SQ 10/335PCD 390mm LONG	2
2	<b>MT10013</b>	SPEED SENSOR MOUNTING BRACKET	1
3	<b>BP-809-4</b>	FLEXIBLE BUSH AIRRIDE SUSPENSION	2
4	<b>BP-509F-2</b>	AXLE HOUSING & TRAILING ARM ASSEMBLY	1
5	<b>BP-509F-3L</b>	AXLE BP-509F 10 STUD LH	1
6	<b>BP-509F-3R</b>	AXLE BP-509F 10 STUD RH	1
7	<b>WT1234</b>	AIRRIDE AXLE BOLT M30X190 <i>(not shown)</i>	2
8	<b>WT1235NL</b>	AIRRIDE AXLE NYLOC NUT M30 <i>(not shown)</i>	2

*Note: Drawing is for illustration purpose only  
Refer to parts list.*

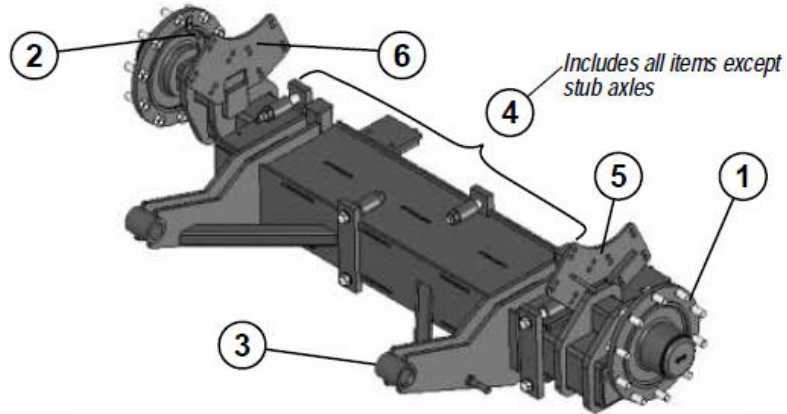


Item	Part No.	Description
1	<i>BP-532-1A</i>	STUB AXLE 90SQx390 LONG
2	<b>BP-532-2</b>	WHEELHUB 10/335 PCD
3	<b>BP-532-3</b>	BEARING Kit 30311/32216
4	<b>BP-532-4</b>	TRIPLE LIP SEAL 140x100x12mm
5	<b>BP-532-5</b>	WASHER 1 3/4" GR.8
6	<b>BP-532-6</b>	SLOTTED/CASTLE NUT M45x2
7	<b>BP-532-7</b>	SPLIT PIN 80x8MM
8	<b>BP-532-8</b>	DUST CAP 120mm <i>(4 screws items 13 and 14)</i>
9	<b>BP-532-9</b>	WHEEL STUD M22x1.5x 85
10	<b>BP-532-10</b>	WHEEL NUT M22x1.5
11	<b>BP-532-11</b>	SEAL RING 100.5x82x16mm
12	<b>BP-532-12</b>	WEAR RING (to suit triple lip seal)
13	<b>BP-532-13</b>	SOCKET HEAD CAP SCREW M6x20 <i>(not shown)</i>
14	<b>BP-532-14</b>	M6 RIB LOCK WASHER <i>(not shown)</i>

**STUB AXLE BP-532**

*Note: Parts in italics are non-stock items and may need to be ordered*

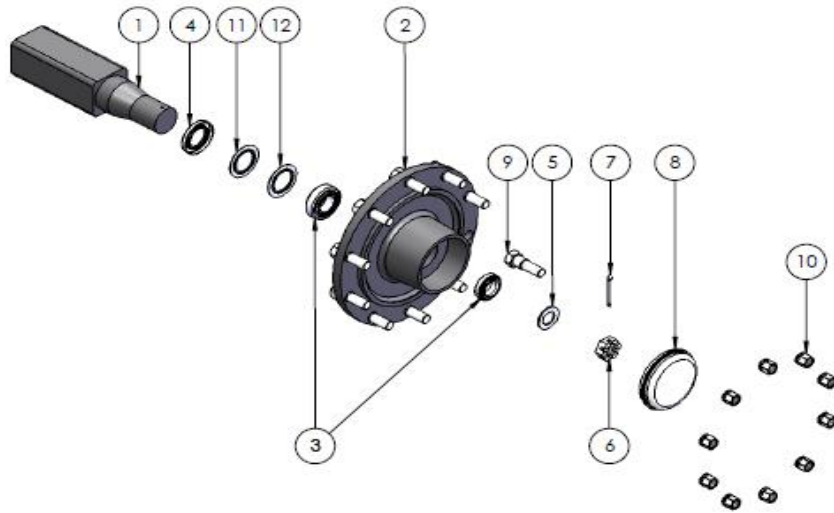
## CROPLANDS PART NUMBERS: BP-509F PEGASUS 6000L ADJUSTABLE AIRRIDE AXLE 10 STUD



Item	Part No.	Description	Qty
1	<b>BP-532</b>	STUB AXLE 90SQ 10/335PCD 390mm LONG	2
2	<b>MT10013</b>	SPEED SENSOR MOUNTING BRACKET	1
3	<b>BP-809-4</b>	FLEXIBLE BUSH AIRRIDE SUSPENSION	2
4	<b>BP-509F-2</b>	AXLE HOUSING & TRAILING ARM ASSEMBLY	1
5	<b>BP-509F-3L</b>	AXLE BP-509F 10 STUD LH	1
6	<b>BP-509F-3R</b>	AXLE BP-509F 10 STUD RH	1
7	<b>WT1234</b>	AIRRIDE AXLE BOLT M30X190 (not shown)	2
8	<b>WT1235NL</b>	AIRRIDE AXLE NYLOC NUT M30 (not shown)	2

Note: Please refer over page for itemized part info

Note: Drawing is for illustration purpose only  
Refer to parts list.



### STUB AXLE BP-532BPW

Item	Part No.	Description
1	<i>BP-532BPW-1</i>	STUB AXLE 90SQ
2	<i>BP-532BPW-2</i>	WHEELHUB 10/335 PCD
3	<b>BP-532BPWBEARIN</b>	BEARING KIT 32215/32310 Screw in Cap
3	<i>BP-532BPW-3</i>	BEARING KIT 32215/32213 Push in Cap
4	<i>BP-532BPW-4</i>	THRUSTWASHER 90x78x7mm
5	<i>BP-532BPW-5</i>	WASHER 43,61 x5,8 IMPERIAL
6	<i>BP-532BPW-6</i>	CASTLE NUT M42x2
7	<i>BP-532BPW-7</i>	SPLIT PIN 8 X 50mm
8	<b>BP-532BPWCAP</b>	SCREW IN CAP 115x2mm
8	<b>BP-532BPWCAPA</b>	PUSH IN CAP 120x1mm
9	<b>BP-532STUDBPW</b>	WHEEL STUD 22x1.5 x65mm
10	<b>BP-532NUTBPW</b>	WHEEL NUT 22x1.5mm
11	<b>BP-532BPWSEAL</b>	SEAL 77x139.5x14.5mm
12	<i>BP-532BPW-12</i>	DUST COVER
13	<b>BP-532WASHERBPW</b>	SPRING WASHER FOR WHEEL NUT 22.5mm

Note: Parts in italics are non-stock items and may need to be ordered