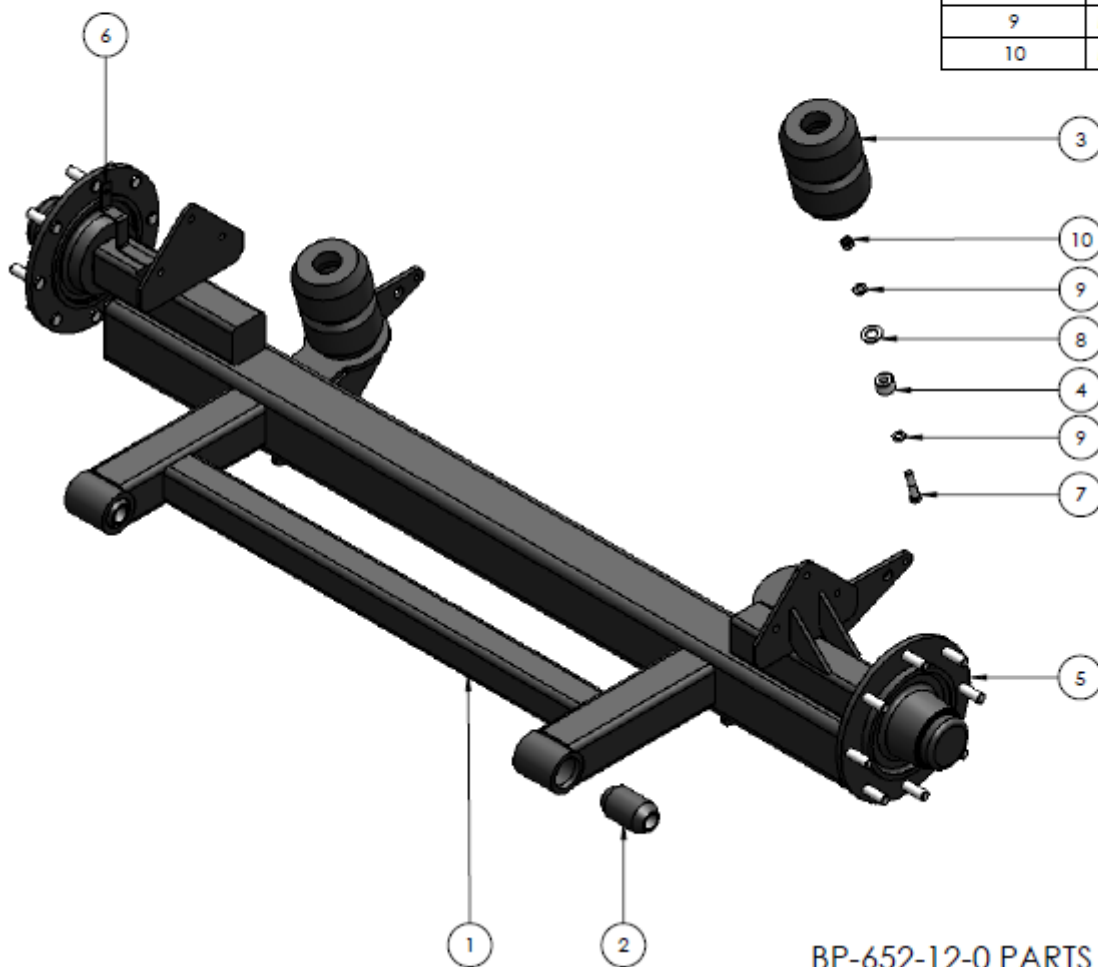
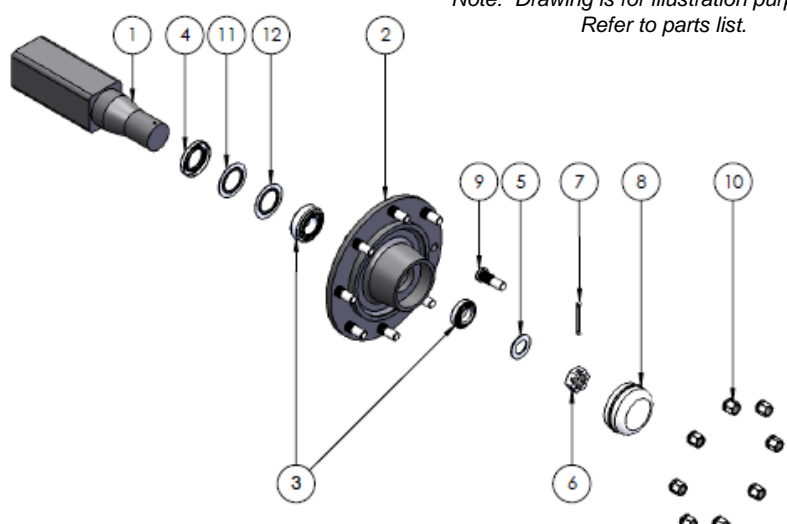


ITEM NO.	PART NUMBER	DESCRIPTION	QTY.
1	BP-652-12	AXLE & TRAILING ARM KIT PINTO 4000	1
2	BP-809-4	FLEXIBLE BUSH AIR RIDE	2
3	HP-236CL-1A	RUBBER SPRING A560-65	2
4	HP-236CL-1A-1	BUSH 32 X 13.5 X 22.5	2
5	BP-545B	STUB AXLE 80MM 8 X 275PCD TITANS	2
6	MT10013	SPEED SENSOR MOUNTING BRACKET	1
7	M12X60BOLT	M12 X 60 BOLT HT ZP	2
8	M20FWASHER	M20 FLAT WASHER ZP	2
9	M12FWASHER	M12 FLAT WASHER ZP	4
10	M12NNUT	M12 NYLOC NUT HT ZP	2



BP-652-12-0 PARTS ILLUSTRATION

CROPLANDS PART NUMBERS: BP-545B STUB AXLE 80SQ X 8/275 PCD



STUB AXLE BP-545B

*Note: Drawing is for illustration purpose only
Refer to parts list.*

Item	Part Number	Description
1	BP-545B-1	STUB 80SQx505LG
2	BP-545B-2	WHEELHUB 8/275PCD
3	BP-545B-3	BEARING KIT 30210/30214
4	HP-199E-4	TRIPLE LIP SEAL 125x90x12mm
5	N/A	N/A
6	HP-199E-9	SLOTTED/CASTLE NUT M39x2
7	BP-532-7	SPLIT PIN 80 X 8MM
8	BP-545B-8	DUST CAP (3 screws items 13 and 14)
9	HP-199F-7	WHEEL STUD M18x1.5x65
10	HP-199F-8	WHEEL NUT M18x1.5
11	HP-199E-4A	SEAL RING 70.5x90x16.5mm
12	HP-199E-4B	WEAR RING (to suit triple lip seal)
13	HP-199E-11	SOCKET HEAD CAP SCREW M8x30 (<i>not shown</i>)
14	HP-199E-12	M8 RIB LOCK WASHER (<i>not shown</i>)

Note: Parts in italics are non-stock items and may need to be ordered