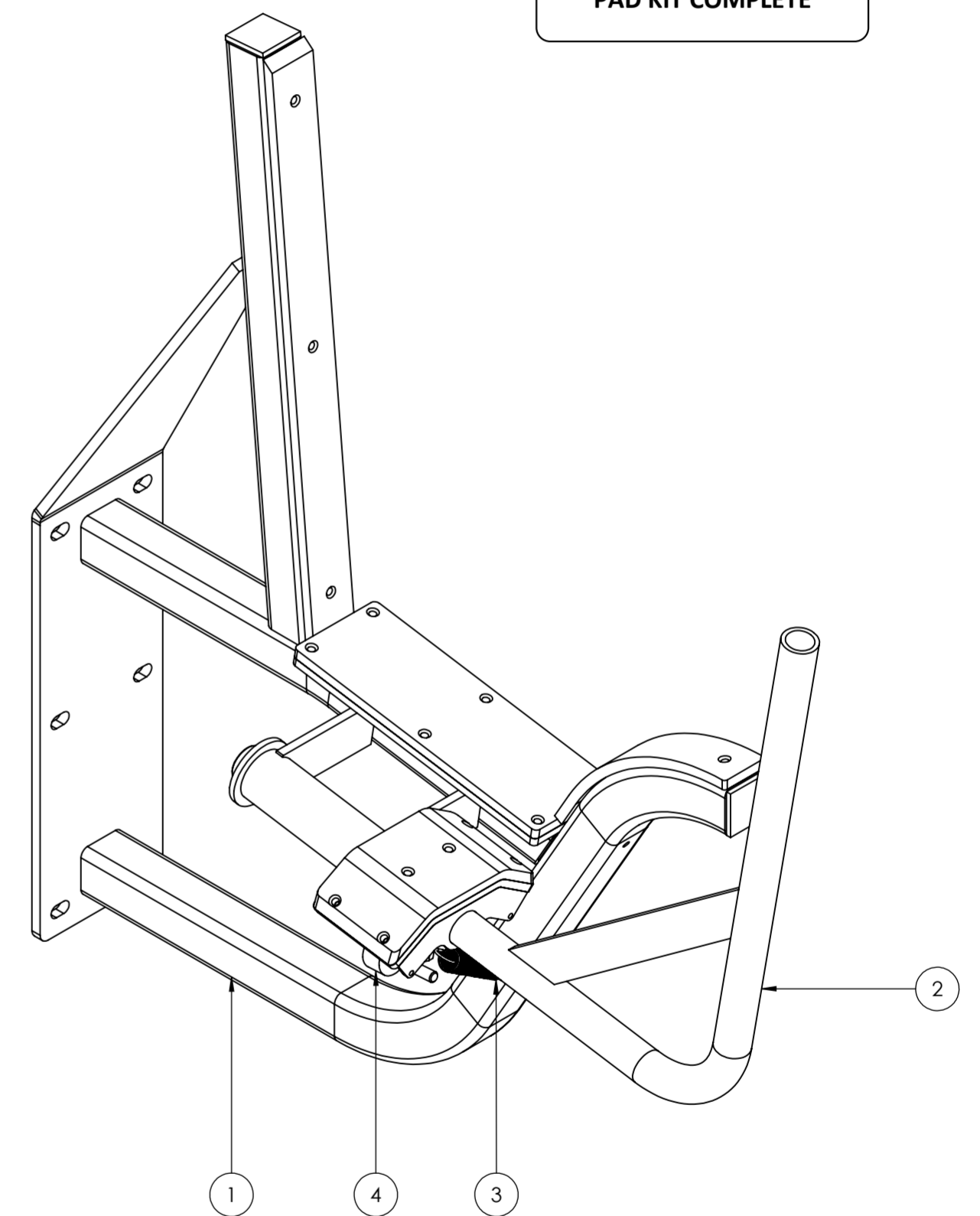
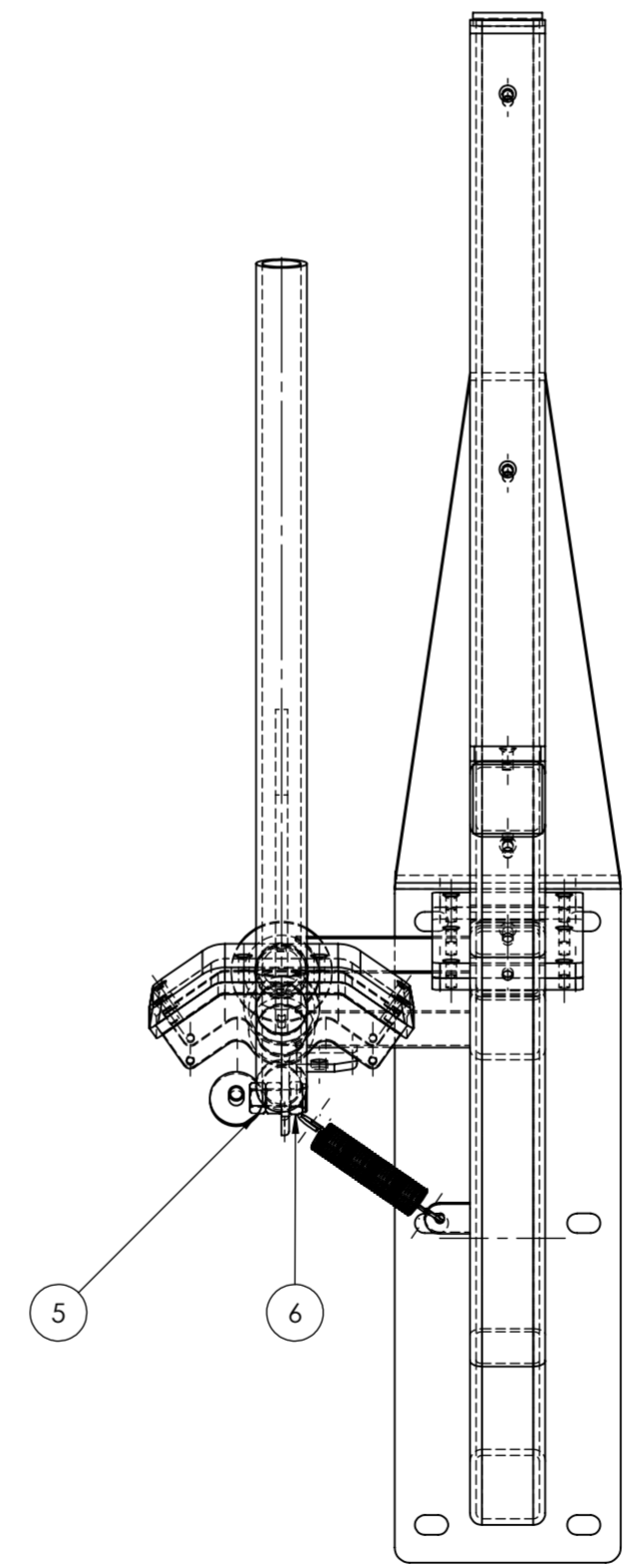
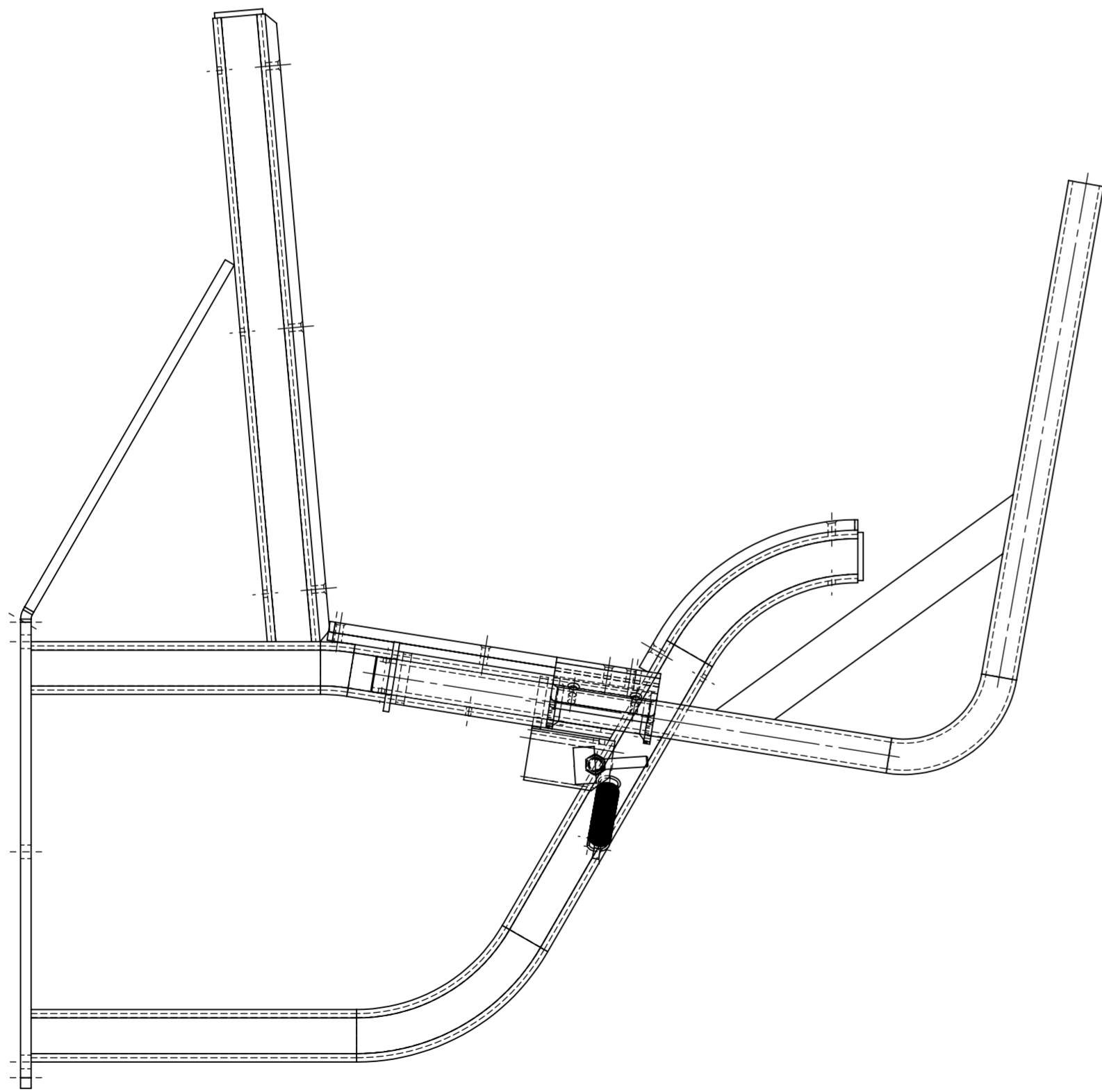


**BP-700-13AR-C –
COMPLETE RH PARKING
BRACKET**

ITEM NO.	PART NUMBER	DESCRIPTION	QTY.
1	BP-700-13AR	BOOM PARKING BRACKET-RH	1
2	BP-700-13L-2	BOOM LOCK BRACKET	1
3	BP-700-13-1	2.2MM TENSION SPRING 36 COILS	1
4	MP-501	RUBBER BUFFER 22MM	1
5	M12HNUT	M12 HEX NUT HT ZP	2
6	M12NNUT	M12 NYLOC NUT HT ZP	1
7	M33FWASHER	M30 FLAT WASHER ZP	1
8		Ø 6 X 50 ROLL PIN ZINC PLATED	1
9		M6 X 75 C/SUNK HEAD SCREW SLOTTED	5
10		M6 X 30 C/SUNK HEAD SCREW SLOTTED	12
11		M6 NYLOC NUT	17
12		M6 FLAT WASHER	17
13		10MM X 100 UHMW	550LG
14		10MM X 50 UHMW	850LG

SUPPLY:
1 L.H. AS SHOWN BP-700-13AL
1 R.H. OPP. HAND BP-700-13AR

**BP-700-13AL-3 – WEAR
PAD KIT COMPLETE**



UNLESS OTHERWISE SPECIFIED: DIMENSIONS ARE IN MILLIMETERS SURFACE FINISH: ± 0.2 TOLERANCES: LINEAR: ± 0.5 ANGULAR: ± 0.5		FINISH: N/A	DEBUR AND BREAK SHARP EDGES	DO NOT SCALE DRAWING	ISSUE	A
DRAWN RPJUCO			SIGNATURE	DATE 230112	REVISION	
CHKD						
APPVD						
MFG						
Q.A						
MATERIAL: N/A			DWG NO. BP-700-13AL		A2	
WEIGHT:			SCALE: 1:5		SHEET 1 OF 1	

CROPLANDS
A NUFARM LIMITED COMPANY

TITLE:
AGRIBOOM
PARKING BRACKET LH 33/36M VER 2