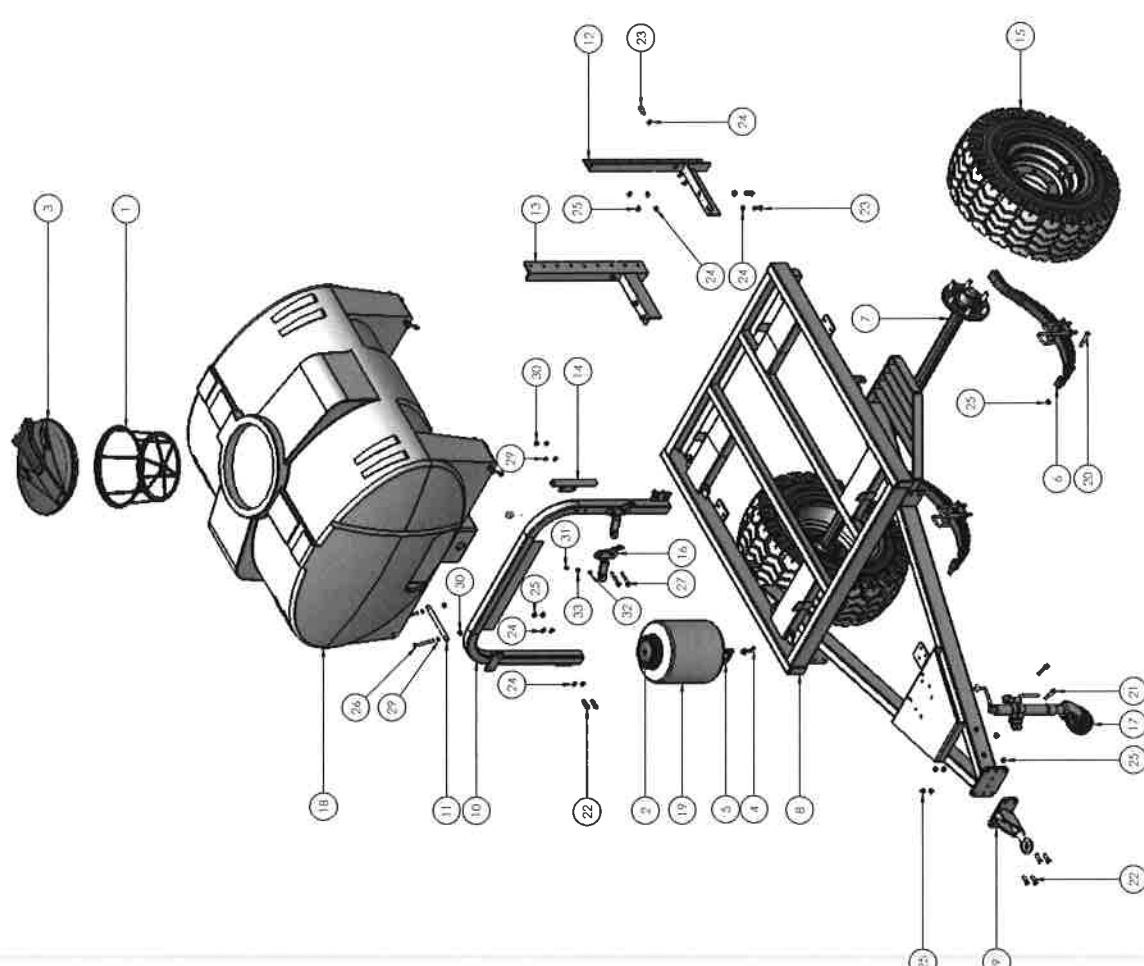


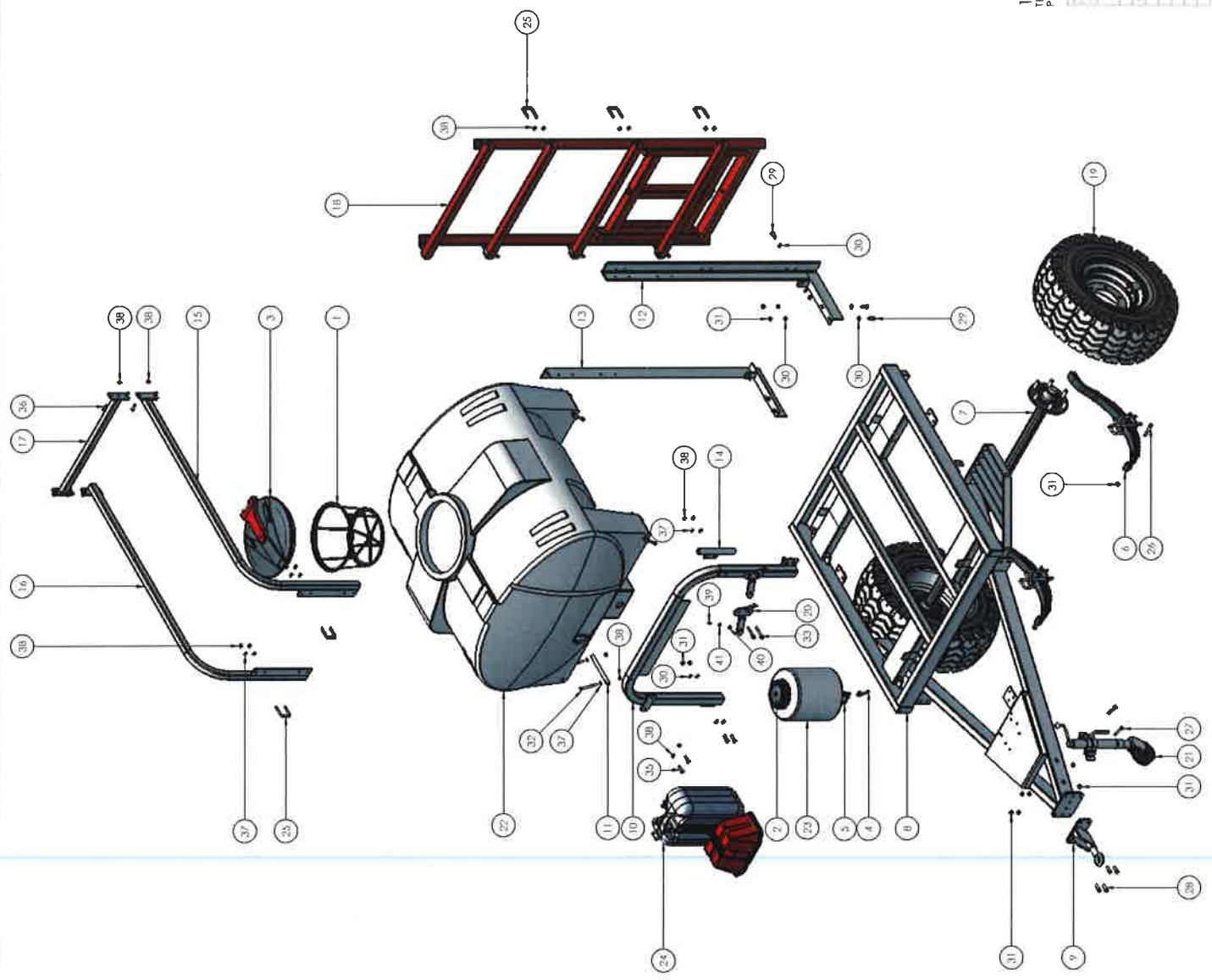
ITEM NO.	PART NUMBER	DESCRIPTION	QTY.
1	A3001-30	FILTER BASKET LARGE 254MM DEEP	1
2	A35401-0	LID 6" C/W SPRING BREATHER & OUTLET	1
3	A35606-0	LID HINGED 180 DEGREE 455MM	1
4	B163.804.4	ELBOW 10MM 90DEG C/W 1/2" WING NUT	1
5	B1651.501.4	BALL VALVE 1/2" X 3/8" RH	1
6	BP-193	SPRING SLIPPERS 9 LEAF (PAIR)	1
7	BP-509L	AXLE ASSEMBLY 50X50X1700 65TUD PONY	1
8	BP-520B-1	CHASSIS 1100LT PONY	1
9	BP-520B-2	TOW HITCH ASSEMBLY	1
10	BP-520B-3	VALVE BRACKET 1100LT PONY	1
11	BP-520B-4	TIE DOWN PIN 1100LT PONY	4
12	BP-520B-5L	ROOM BRACKET L.H. 1100LT PONY	1
13	BP-520B-5R	ROOM BRACKET R.H. 1100LT PONY	1
14	BP-520B-6	PROBE HOLDER BRACKET 1100LT PONY	1
15	HP-200	TYRE & WHEEL AWT 11.5/80-15.3	2
16	LP-132A	TANK BRACKET 30LT BOTTLE VERSION 2	2
17	M1100CKEY	LOCKEY WHEEL	1
18	P1100-RAW	TANK 1100LT POLY RAW	1
19	P30-RAW	TANK 20LT POLY HAND WASH RAW	1
20	M12X80BOLT	M12 X 80 BOLT HT ZP	2
21	M12X75BOLT	M12 X 75 BOLT HT ZP	2
22	M12X40	M12 X 40 HEX HEAD SET SCREW HT ZP	8
23	M12X35	M12 X 35 SET SCREW HT ZP	6
24	M12FWASHER	M12 FLAT WASHER ZP	20
25	M12NUT	M12 NYLOC NUT HT ZP	18
26	M10X100BOLT	M10 X 100 BOLT HT ZP	8
27	M10X80BOLT	M10 X 80 BOLT HT ZP	2
28	M10X75BOLT	M10 X 75 BOLT HT ZP	2
29	M10FWASHER	M10 FLAT WASHER ZP	16
30	M10NUT	M10 NYLOC NUT HT ZP	12
31	M8X16	M8 X 16 SET SCREW HT ZP	4
32	M8FWASHER	M8 FLAT WASHER ZP	4
33	M8SWASHER	M8 SPRING WASHER ZP	4



1100LT PONY PARTS ILLUSTRATION
 THIS DRAWING IS FOR ILLUSTRATION PURPOSE ONLY
 PLEASE REFER TO THE PARTS LIST.

1100LT PONY	
811100	
A2	

ITEM NO.	PART NUMBER	DESCRIPTION	QTY.
1	A300130	FILTER BASKET LARGE 254MM DEEP	1
2	A354010	LID 6" C/W SPRING BREATHER & OUTLET	1
3	A356060	LID HINGED 180 DEGREE 455MM	1
4	B163.604.4	ELBOW 10MM 90DEG C/W 1/2" WING NUT	1
5	B1651501.4	BALL VALVE 1/2" X 3/8" RH	1
6	BP-193	SPRING SLIPPERS 9 LEAF (PAIR)	1
7	BP-5091	AXLE ASSEMBLY 50X50X1700 4STUD PONY	1
8	BP-5208-1	CHASSIS 1100LT PONY	1
9	BP-5208-2	TOW HITCH ASSEMBLY	1
10	BP-5208-3	VALVE BRACKET 1100LT PONY	1
11	BP-5208-4	TIE DOWN PIN 1100LT PONY	4
12	BP-5208-5AL	BRACKET HYDRAULIC LIFT LH	1
13	BP-5208-5AR	BRACKET HYDRAULIC LIFT RH	1
14	BP-5208-6	PROB/HOLDER BRACKET 1100LT PONY	1
15	BP-5208-7L	BRACE LH - HYDRAULIC LIFT	1
16	BP-5208-7R	SUPPORT BRACE HYDRAULIC LIFT RH	1
17	BP-5208-8	CROSS BRACE HYDRAULIC LIFT SUPPORT	1
18	GB360589000V	HYDRAULIC LIFT 1200	1
19	HP-200	TYRE & WHEEL AWT 11.578D-15.3	2
20	LP-132A	TANK BRACKET 30LT BOTTLE VERSION 2	2
21	MUJOCKEY	JOCKEY WHEEL	1
22	P1100-RAW	TANK 1100LT POLY RAW	1
23	P20-RAW	TANK 20LT POLY HAND WASH RAW	1
24	SA1901.658A	FOAM MARKER SINGLE SIDED	1
25	X8MB850	U-BOLT 50MM X 10	8
26	M12X80BOLT	M12 X 80 BOLT HT 7P	2
27	M12X75BOLT	M12 X 75 BOLT HT 7P	2
28	M12X60	M12 X 60 HEX HEAD SET SCREW HT 7P	8
29	M12X35	M12 X 35 SET SCREW HT 7P	6
30	M12FWASHER	M12 FLAT WASHER 7P	20
31	M12NNUT	M12 NYLOC NUT HT 7P	18
32	M10X100BOLT	M10 X 100 BOLT HT 7P	8
33	M10X80BOLT	M10 X 80 BOLT HT 7P	2
34	M10X75BOLT	M10 X 75 BOLT HT 7P	2
35	M10X40	M10 X 40 SET SCREW HT 7P	2
36	M10X35	M10 X 35 SET SCREW HT 7P	8
37	M10FWASHER	M10 FLAT WASHER 7P	20
38	M10NNUT	M10 NYLOC NUT HT 7P	38
39	MBX16	MB X 16 SET SCREW HT 7P	4
40	MBFWASHER	MB FLAT WASHER 7P	4
41	MBWASHER	MB SPRING WASHER 7P	4



1100LT PONY BT-GB360589000V PARTS ILLUSTRATION
 THIS DRAWING IS FOR ILLUSTRATION PURPOSE ONLY
 PLEASE REFER TO THE PARTS LIST.

Model Name	1100LT PONY
Manufacturer	CROPLANDS A NIPARM LIMITED COMPANY
Part No.	BT1100 BT-GB360589000V
Rev.	A2
Date	
Drawn By	
Checked By	
Approved By	
Material	
Quantity	
Unit	
Scale	
Notes	
Comments	
Revision	
Part No.	
Rev.	
Date	
Drawn By	
Checked By	
Approved By	
Material	
Quantity	
Unit	
Scale	
Notes	
Comments	