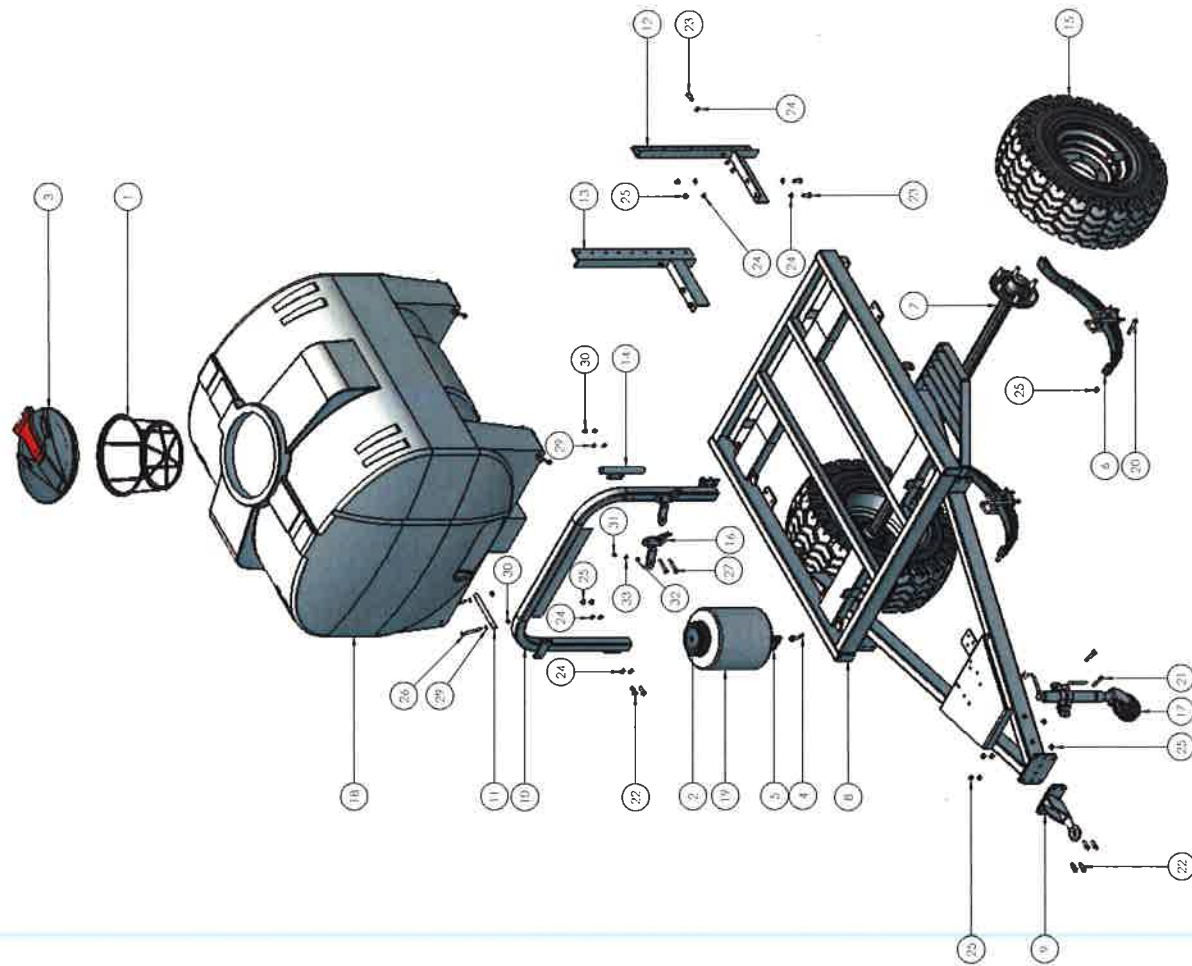


ITEM NO.	PART NUMBER	DESCRIPTION	QTY.
1	A300130	FILTER BASKET LARG: 254MM DFFP	1
2	A354010	LID 6" C/W SPRING BREATHER & OILIFT	1
3	A356060	LID HINGED 180 DEGREE 455MM	1
4	B163.604.4	EIROW 10MM 90DFC C/W 1/2" WING NUT	1
5	B165.1501.4	BALL VALVE 1/2" X 3/8" RH	1
6	BP-193	SPRING SLIPPERS 9 LEAF (PAIR)	1
7	BP-5091	AXLE ASSEMBLY 50X50X1700 45TUD PONY	1
8	BP-5200R-1	CHASSIS 1100LT PONY	1
9	BP-5200R-2	TOW HICH ASSEMBLY	1
10	BP-5200R-3	VALVE BRACKET 1100LT PONY	1
11	BP-5200R-4	TIE DOWN PIN 1100LT PONY	4
12	BP-5200R-5L	BOOM BRACKET LH 1100LT PONY	1
13	BP-5200R-5R	BOOM BRACKET RH 1100LT PONY	1
14	BP-5200R-6	PROBE HOLDER BRACKET 1100LT PONY	1
15	HP-200	TYRE 3. WHEEL AW1 11 5780-15.3	2
16	IP-132A	TANK BRACKET 30LT BOTTLE VERSION ?	2
17	MUJOCKEY	JOCKEY WHEEL	1
18	PI500A-RAW	TANK 1500LT POLY RAW	1
19	P20-RAW	TANK 20LT POLY HAND WASH RAW	1
20	M12X80BOLT	M12 X 80 BOLT HT ZP	2
21	M12X75BOLT	M12 X 75 BOLT HT ZP	2
22	M12X40	M12 X 40 HEX HEAD SET SCREW HT ZP	8
23	M12X35	M12 X 35 SET SCREW HT ZP	6
24	M12FWASHER	M12 FLAT WASHER ZP	20
25	M12NUT	M12 NYLOC NUT HT ZP	18
26	M10X100BOLT	M10 X 100 BOLT HT ZP	8
27	M10X80BOLT	M10 X 80 BOLT HT ZP	2
28	M10X75BOLT	M10 X 75 BOLT HT ZP	2
29	M10FWASHER	M10 FLAT WASHER ZP	16
30	M10NUT	M10 NYLOC NUT HT ZP	12
31	MBX16	MB X 16 SET SCREW HT ZP	8
32	MBFWASHER	MB FLAT WASHER ZP	4
33	MBWASHER	MB SPRING WASHER ZP	4



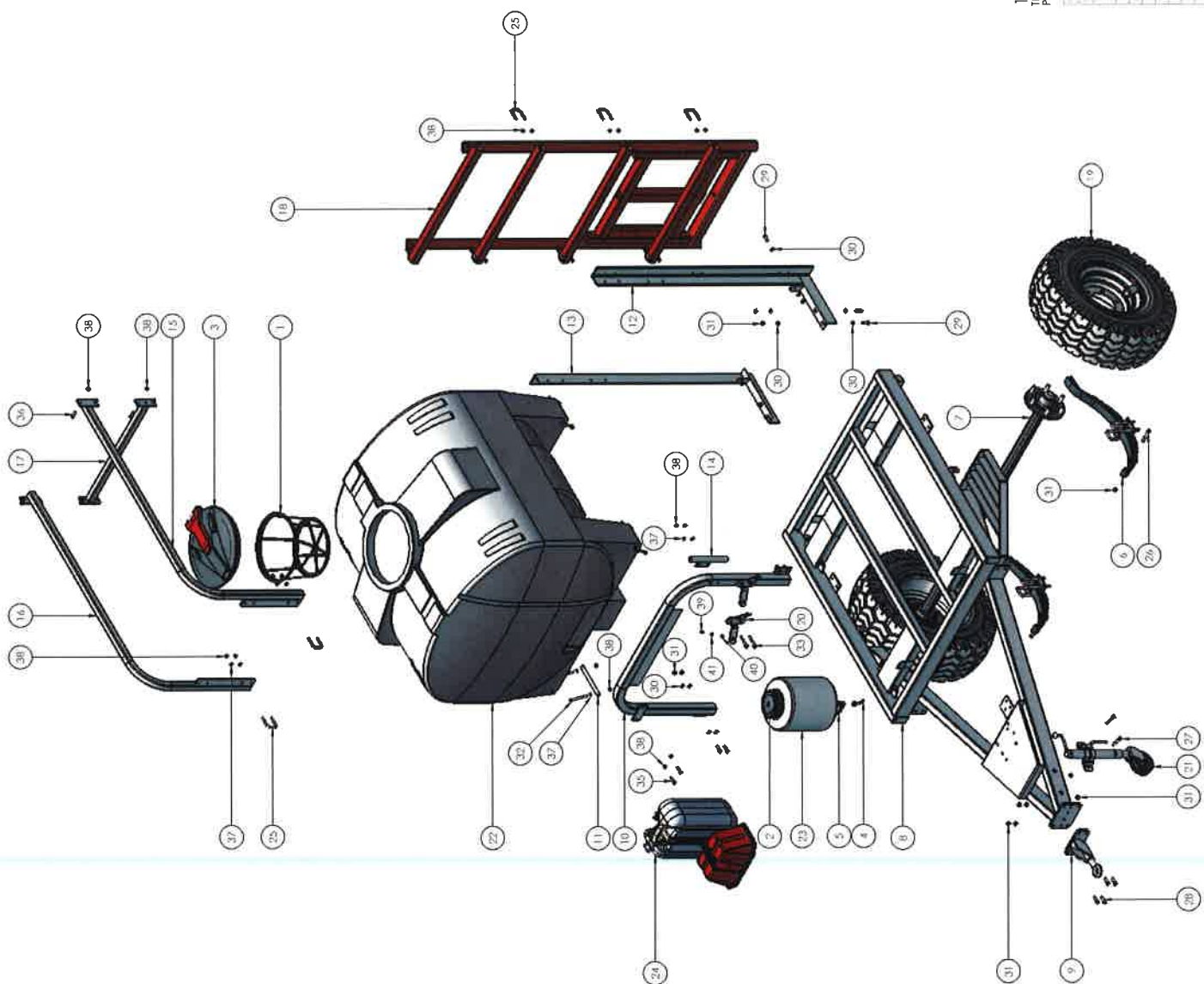
1500LT PONY PARTS ILLUSTRATION
 THIS DRAWING IS FOR ILLUSTRATION PURPOSE ONLY
 PLEASE REFER TO THE PARTS LIST.

CROPLANDS
 A 150,000 Litre Capacity
 1100LT PONY
 PONY 1500LT
 811500

110A

A2

ITEM NO.	PART NUMBER	DESCRIPTION	QTY
1	A300130	FILTER BASKET LARGE 254MM DEEP	1
2	A354010	LID A/ C/W SPRING BREATHER & OUTLET	1
3	A356060	LID HINGED 180 DEGREE 455MM	1
4	B163.604.4	ELBOW 10MM 90DEG C/W 1/2" WING NUT	1
5	B165.1501.4	BALL VALVE 1/2" X 3/8" RH	1
6	BP-193	SPRING SUPPERS 9 LEAF (PAIR)	1
7	BP-309L	AXLE ASSEMBLY 50X50X1700 65TUD PONY	1
8	BP-520B-1	CHASSIS 1100LT PONY	1
9	BP-520B-2	TOW HITCH ASSEMBLY	1
10	BP-520B-3	VALVE BRACKET 1100LT PONY	1
11	BP-520B-4	TIE DOWN PIN 1100LT PONY	4
12	BP-520B-5AL	BRACKET HYDRAULIC LIFT LH	1
13	BP-520B-5AR	BRACKET HYDRAULIC LIFT RH	1
14	BP-520B-6	PROBE HOLDER BRACKET 1100LT PONY	1
15	BP-520B-7L	BRACE LH HYDRAULIC LIFT	1
16	BP-520B-7R	SUPPORT BRACE HYDRAULIC LIFT RH	1
17	BP-520B-8	CROSS BRACE HYDRAULIC LIFT SUPPORT	1
18	GB360589000V	HYDRAULIC LIFT 1200	1
19	HP-200	TYRE & WHEEL AWMT 11.5/80-15.3	2
20	LP-132A	TANK BRACKET 30LT BOTTLE VERSION 2	2
21	MUJOCKEY	JOCKEY WHEEL	1
22	P1500A-RAW	TANK 1500LT POLY RAW	1
23	P20-RAW	TANK 20LT POLY HAND WASH RAW	1
24	SA1901658A	FOAM MARKER SINGLE SIDED	1
25	X8M8850	U-BOLT 50MM X 10	8
26	M12X80BOLT	M12 X 80 BOLT HT ZP	2
27	M12X75BOLT	M12 X 75 BOLT HT ZP	2
28	M12X40	M12 X 40 HEX HEAD SET SCREW HT ZP	8
29	M12X35	M12 X 35 SET SCREW HT ZP	6
30	M12FWASHER	M12 FLAT WASHER ZP	20
31	M12NNUIT	M12 NYLOC NUT HT ZP	18
32	M10X100BOLT	M10 X 100 BOLT HT ZP	8
33	M10X80BOLT	M10 X 80 BOLT HT ZP	2
34	M10X75BOLT	M10 X 75 BOLT HT ZP	2
35	M10X40	M10 X 40 SET SCREW HT ZP	2
36	M10X35	M10 X 35 SET SCREW HT ZP	8
37	M10FWASHER	M10 FLAT WASHER ZP	20
38	M10NNUIT	M10 NYLOC NUT HT ZP	38
39	MBX16	MB X 16 SET SCREW HT ZP	4
40	MBFWASHER	MB FLAT WASHER ZP	4
41	M8FWASHER	M8 SPRING WASHER ZP	4



1500LT PONY WITH BT-GB360589000V PARTS ILLUSTRATION
 THIS DRAWING IS FOR ILLUSTRATION PURPOSE ONLY
 PLEASE REFER TO THE PARTS LIST.

Part No.	1500LT PONY	QTY	1
Part No.	BT-GB360589000V	QTY	1
Part No.	1500LT PONY	QTY	1
Part No.	BT-GB360589000V	QTY	1

CROPLANDS
 A NUFARM LIMITED COMPANY
 1100LT PONY
 PONY WITH HYDRAULIC LIFT
 BT1500 BT-GB360589000V
 A2