

PIN	DESIGNATION	COLOUR
A	DUMP A	GRN/YEL
B	12 + VE	BRN
C	GRND	BLU

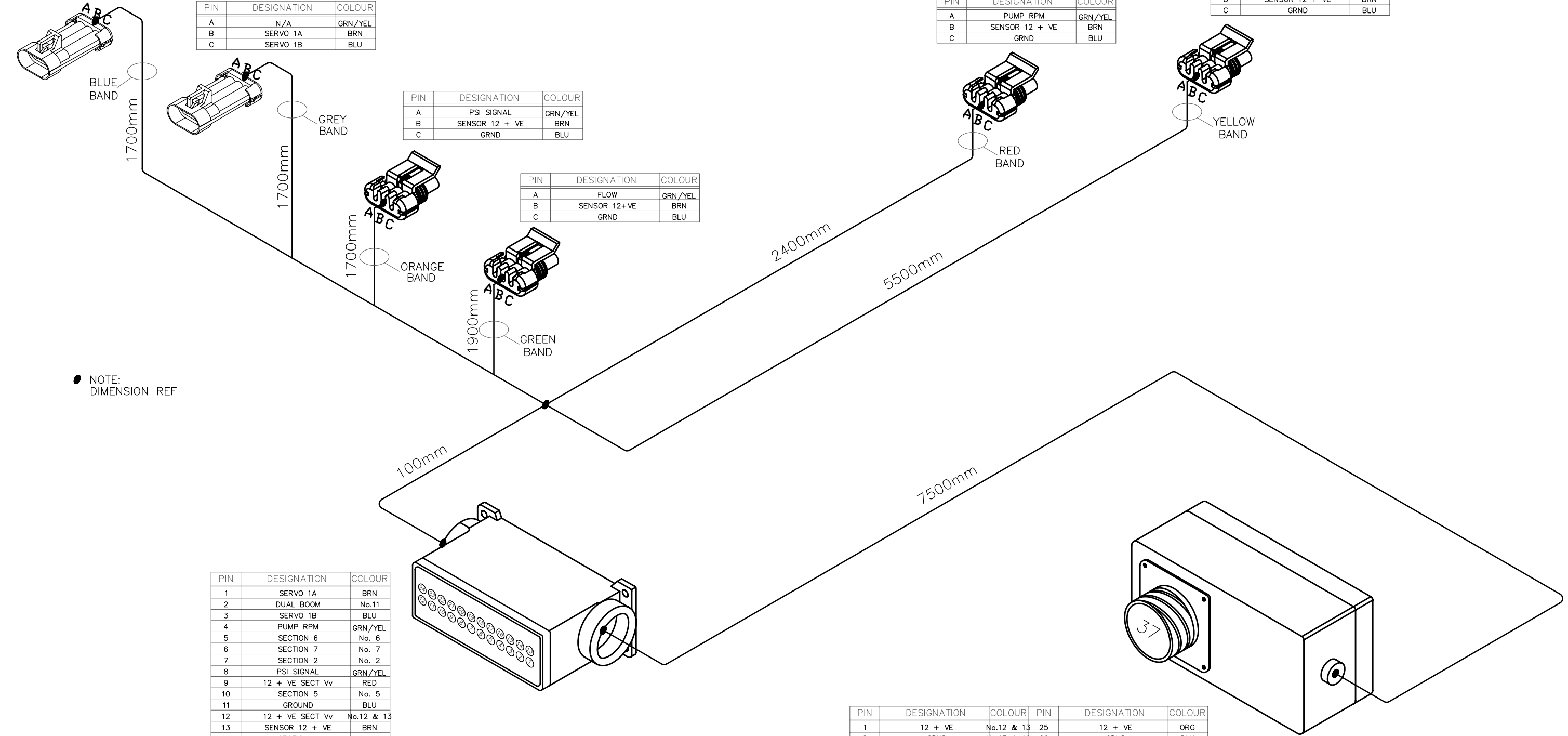
PIN	DESIGNATION	COLOUR
A	N/A	GRN/YEL
B	SERVO 1A	BRN
C	SERVO 1B	BLU

PIN	DESIGNATION	COLOUR
A	PSI SIGNAL	GRN/YEL
B	SENSOR 12 + VE	BRN
C	GRND	BLU

PIN	DESIGNATION	COLOUR
A	FLOW	GRN/YEL
B	SENSOR 12+VE	BRN
C	GRND	BLU

PIN	DESIGNATION	COLOUR
A	PUMP RPM	GRN/YEL
B	SENSOR 12 + VE	BRN
C	GRND	BLU

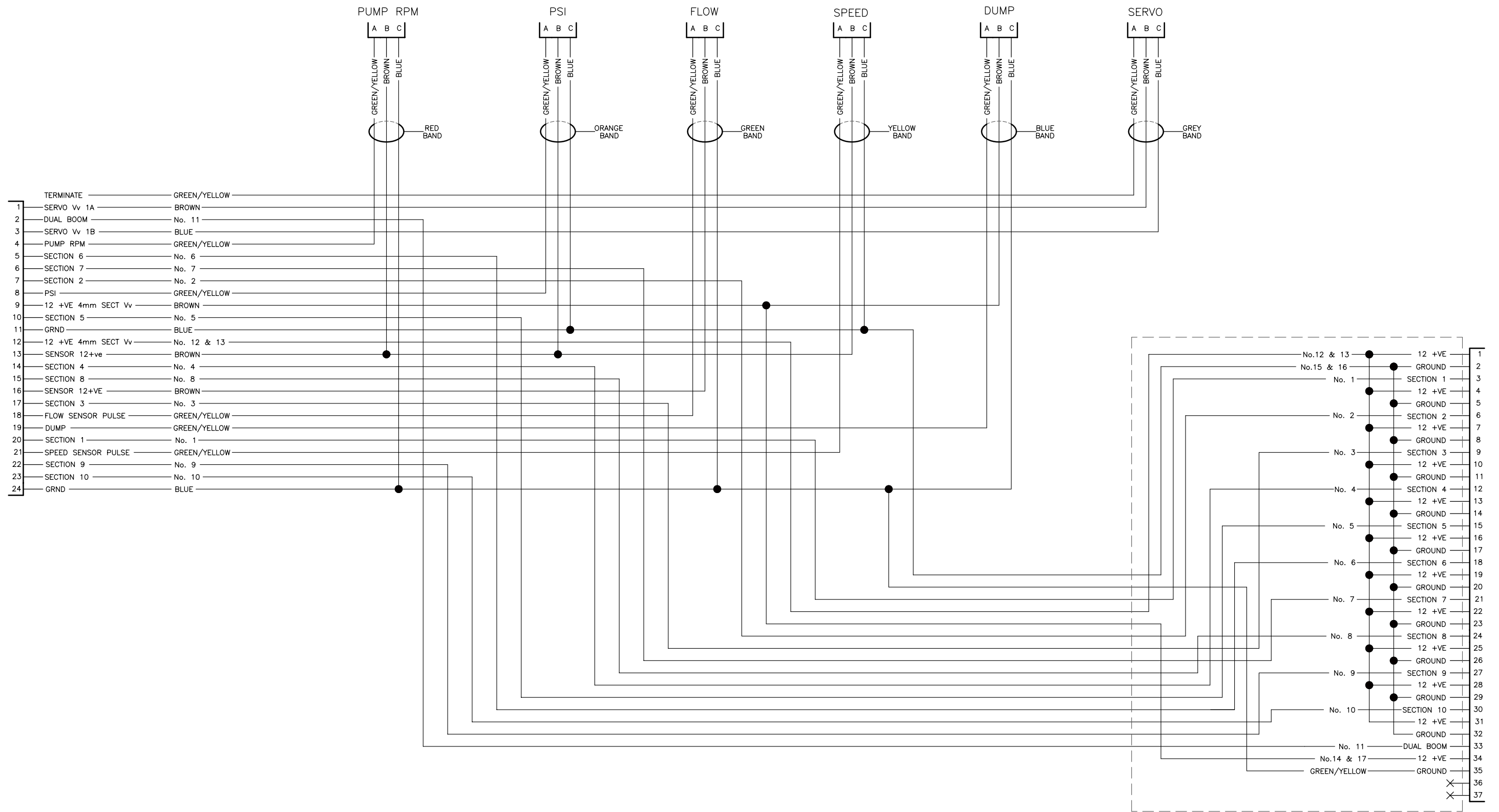
PIN	DESIGNATION	COLOUR
A	SPEED SIGNAL	GRN/YEL
B	SENSOR 12 + VE	BRN
C	GRND	BLU



PIN	DESIGNATION	COLOUR
1	SERVO 1A	BRN
2	DUAL BOOM	No.11
3	SERVO 1B	BLU
4	PUMP RPM	GRN/YEL
5	SECTION 6	No. 6
6	SECTION 7	No. 7
7	SECTION 2	No. 2
8	PSI SIGNAL	GRN/YEL
9	12 + VE SECT Vv	RED
10	SECTION 5	No. 5
11	GROUND	BLU
12	12 + VE SECT Vv	No.12 & 13
13	SENSOR 12 + VE	BRN
14	SECTION 4	No. 4
15	SECTION 8	No. 8
16	SENSOR 12 + VE	BRN
17	SECTION 3	No. 3
18	FLOW SIGNAL	GRN/YEL
19	DUMP	GRN/YEL
20	SECTION 1	No. 1
21	SPEED SIGNAL	GRN/YEL
22	SECTION 9	No. 9
23	SECTION 10	No.10
24	GROUND	BLU

PIN	DESIGNATION	COLOUR	PIN	DESIGNATION	COLOUR
1	12 + VE	No.12 & 13	25	12 + VE	ORG
2	GRND	No.15 & 16	26	GRND	BLK
3	SECTION 1	No. 1	27	SECTION 9	No. 9
4	12 + VE	ORG	28	12 + VE	ORG
5	GRND	BLK	29	GRND	BLK
6	SECTION 2	No. 2	30	SECTION 10	No. 10
7	12 + VE	ORG	31	12 + VE	ORG
8	GRND	BLK	32	GRND	BLK
9	SECTION 3	No. 3	33	DUAL BOOM SIGNAL	No. 11
10	12 + VE	ORG	34	12 + VE	No.14 & 17
11	GRND	BLK	35	GRND	GRN/YEL
12	SECTION4	No. 4	N/A		
13	12 + VE	ORG	N/A		
14	GRND	BLK			
15	SECTION 5	No. 5			
16	12 + VE	ORG			
17	GRND	BLK			
18	SECTION 6	No. 6			
19	12 + VE	ORG			
20	GRND	BLK			
21	SECTION 7	No. 7			
22	12 + VE	ORG			
23	GRND	BLK			
24	SECTION 8	No. 8			

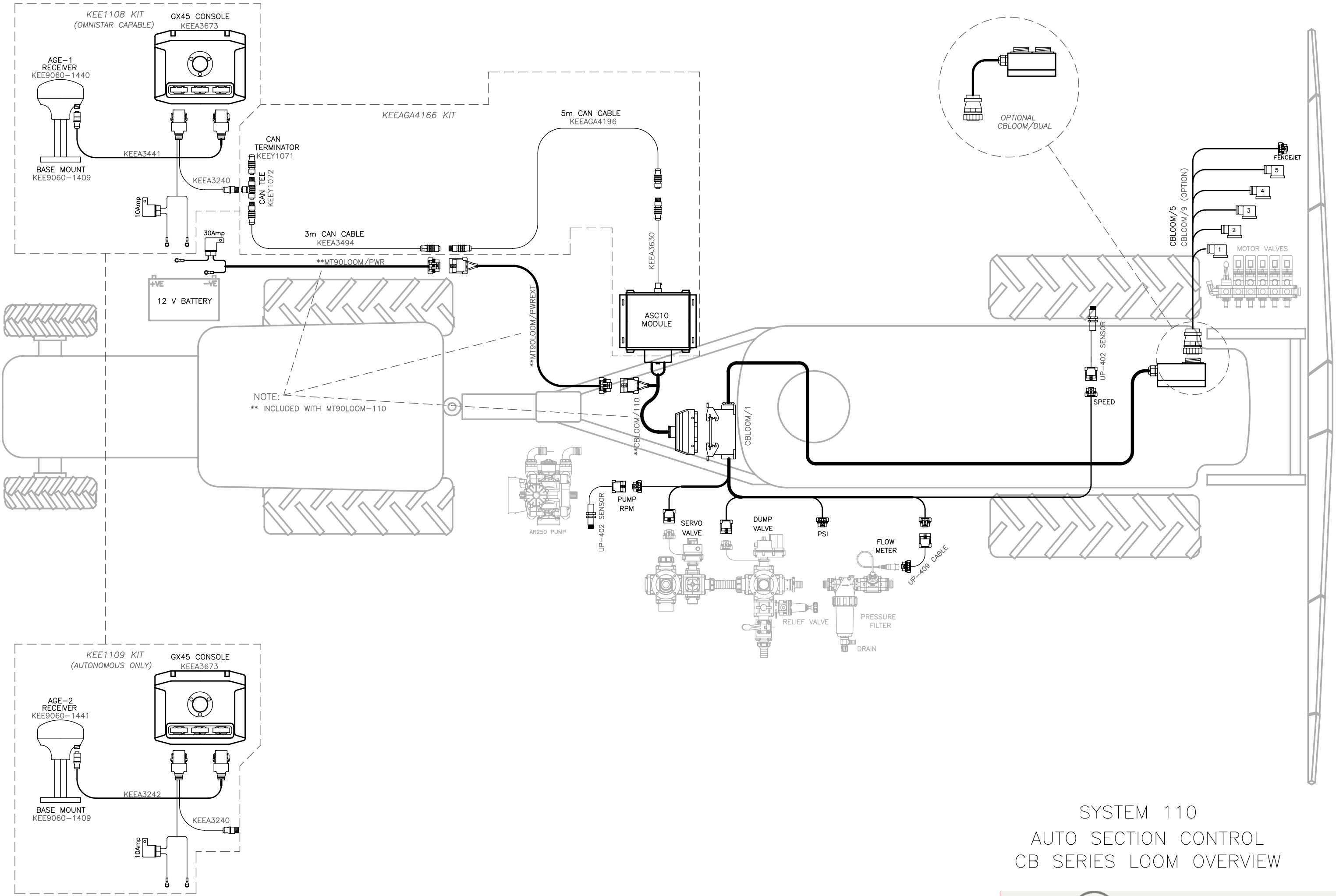
CBLOOM/1 BROADACRE
 AUTO SECTION CONTROL
 SPRAYER LOOM



CBLOOM/1 BROADACRE
 AUTO SECTION CONTROL
 SPRAYER LOOM

28th JUNE 2010





SYSTEM 110
 AUTO SECTION CONTROL
 CB SERIES LOOM OVERVIEW

Note: Drawing is for illustration purpose only