

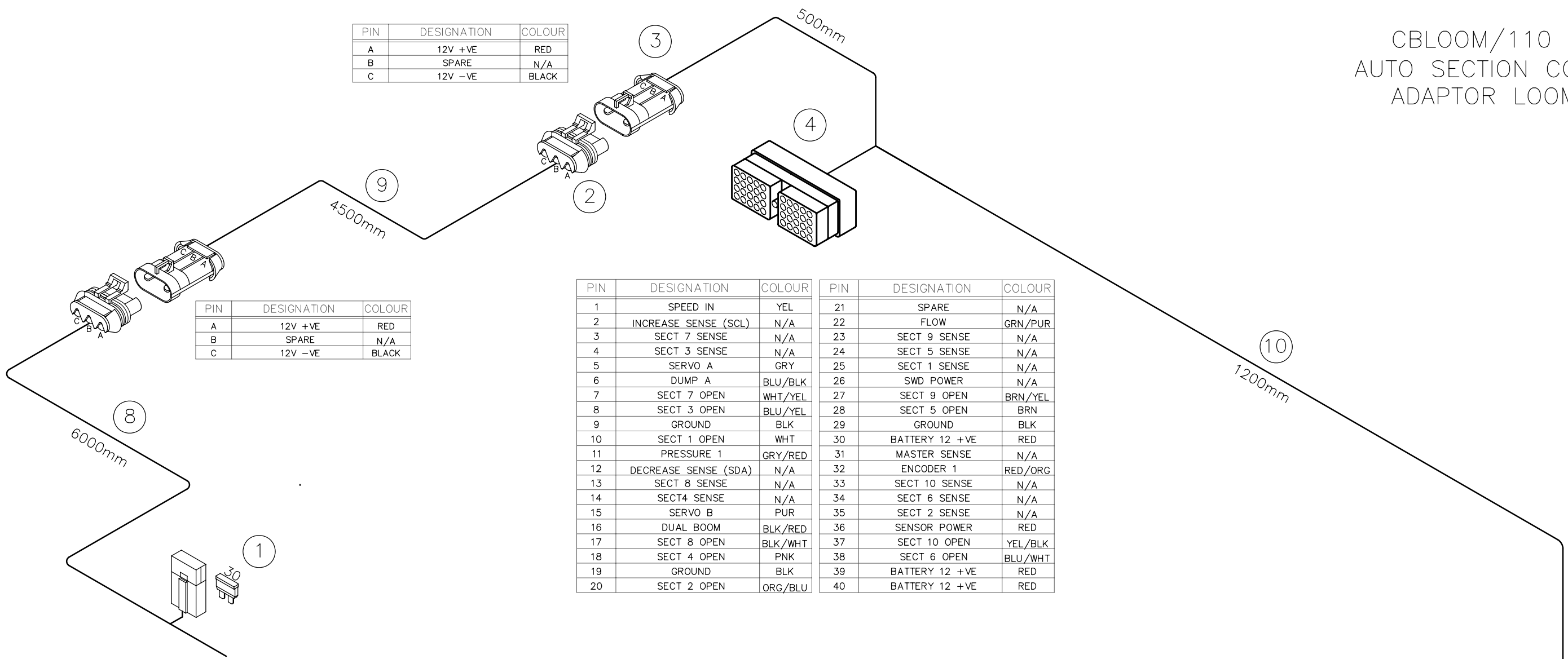
CBLOOM/110  
AUTO SECTION CONTROL  
ADAPTOR LOOM

PIN	DESIGNATION	COLOUR
A	12V +VE	RED
B	SPARE	N/A
C	12V -VE	BLACK

PIN	DESIGNATION	COLOUR
A	12V +VE	RED
B	SPARE	N/A
C	12V -VE	BLACK

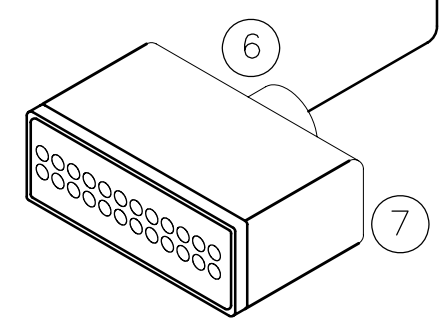
PIN	DESIGNATION	COLOUR	PIN	DESIGNATION	COLOUR
1	SPEED IN	YEL	21	SPARE	N/A
2	INCREASE SENSE (SCL)	N/A	22	FLOW	GRN/PUR
3	SECT 7 SENSE	N/A	23	SECT 9 SENSE	N/A
4	SECT 3 SENSE	N/A	24	SECT 5 SENSE	N/A
5	SERVO A	GRY	25	SECT 1 SENSE	N/A
6	DUMP A	BLU/BLK	26	SWD POWER	N/A
7	SECT 7 OPEN	WHT/YEL	27	SECT 9 OPEN	BRN/YEL
8	SECT 3 OPEN	BLU/YEL	28	SECT 5 OPEN	BRN
9	GROUND	BLK	29	GROUND	BLK
10	SECT 1 OPEN	WHT	30	BATTERY 12 +VE	RED
11	PRESSURE 1	GRY/RED	31	MASTER SENSE	N/A
12	DECREASE SENSE (SDA)	N/A	32	ENCODER 1	RED/ORG
13	SECT 8 SENSE	N/A	33	SECT 10 SENSE	N/A
14	SECT4 SENSE	N/A	34	SECT 6 SENSE	N/A
15	SERVO B	PUR	35	SECT 2 SENSE	N/A
16	DUAL BOOM	BLK/RED	36	SENSOR POWER	RED
17	SECT 8 OPEN	BLK/WHT	37	SECT 10 OPEN	YEL/BLK
18	SECT 4 OPEN	PNK	38	SECT 6 OPEN	BLU/WHT
19	GROUND	BLK	39	BATTERY 12 +VE	RED
20	SECT 2 OPEN	ORG/BLU	40	BATTERY 12 +VE	RED

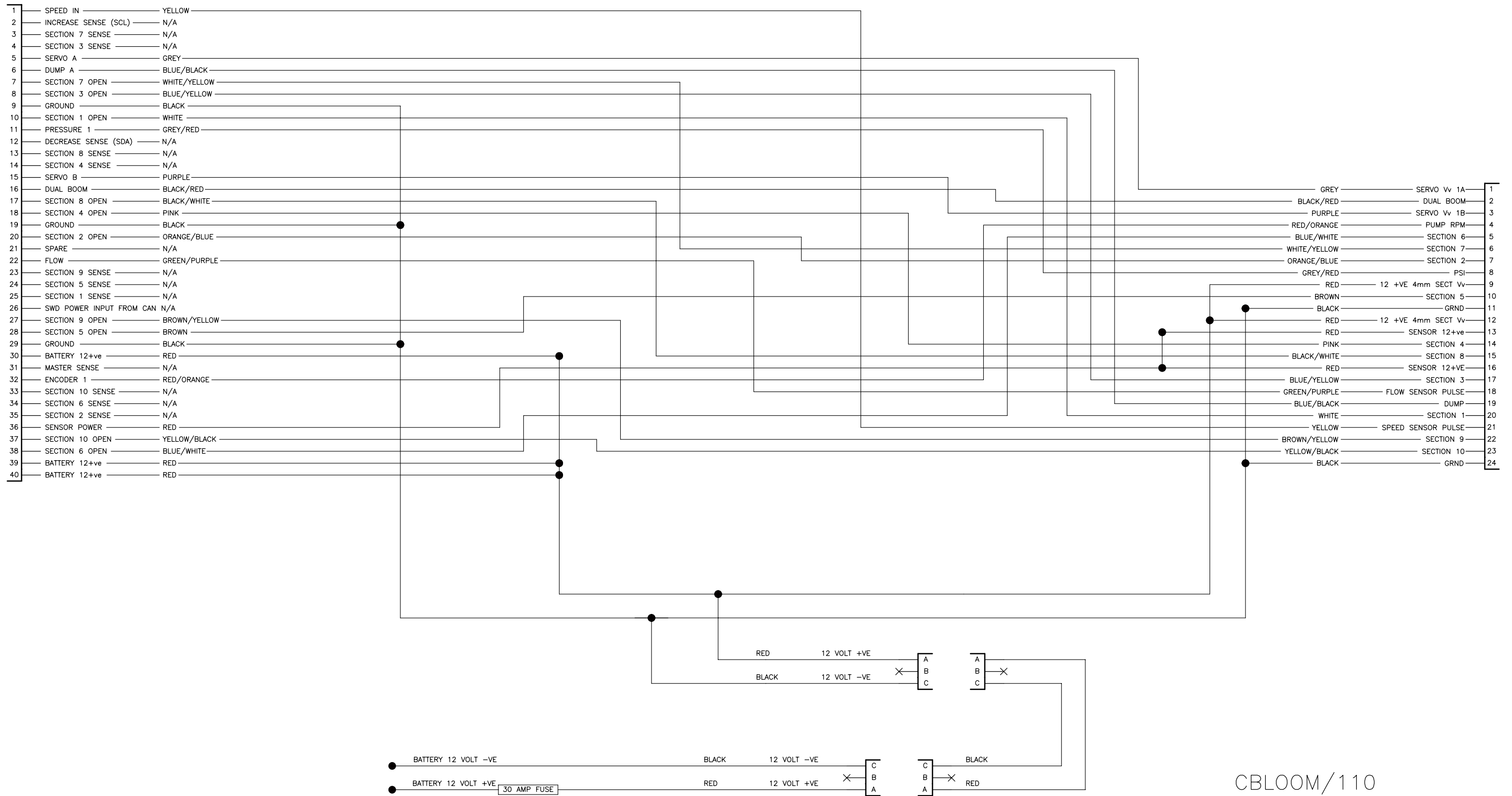
PIN	DESIGNATION	COLOUR
1	SERVO 1A	GRY
2	DUAL BOOM	BLK/RED
3	SERVO 1B	PUR
4	PUMP RPM	RED/ORG
5	SECT 6	BLU/WHT
6	SECT 7	WHT/YEL
7	SECT 2	ORG/BLU
8	PSI	GRY/RED
9	12 + VE 4MM	RED
10	SECT 5	BRN
11	GROUND	BLK
12	12+VE SECTION Vv	RED
13	SENSOR 12+VE	RED
14	SECT 4	PNK
15	SECT 8	BLK/WHT
16	SENSOR 12+VE	RED
17	SECT 3	BLU/YEL
18	FLOW SENSOR PULSE	GRN/PUR
19	DUMP	BLU/BLK
20	SECT 1	WHT
21	SPEED SENSOR PULSE	YEL
22	SECT 9	BRN/YEL
23	SECT 10	YEL/BLK
24	GROUND	BLK



12 VOLT BATTERY  
CONNECTION

ITEM	PART NUMBER	DESCRIPTION	QTY.
1		FUSE HOLDER 30AMP	1
2		F/M 3PIN METRI-PAK LGE	2
3		MALE 3PIN METRI-PAK LGE	2
4		DEUTSCH 40 PIN	1
5			
6	HEE-024-M	CONNECTOR 24PIN	1
7	PG21	CABLE GLAND PLASTIC	1
8	MT90LOOM/PWR	BATTERY POWER LEAD	1
9	MT90LOOM/PWREXT	BATTERY POWER LEAD EXT	1
10	MT90LOOM/110	ASC10 - CB ADAPTOR LOOM	1



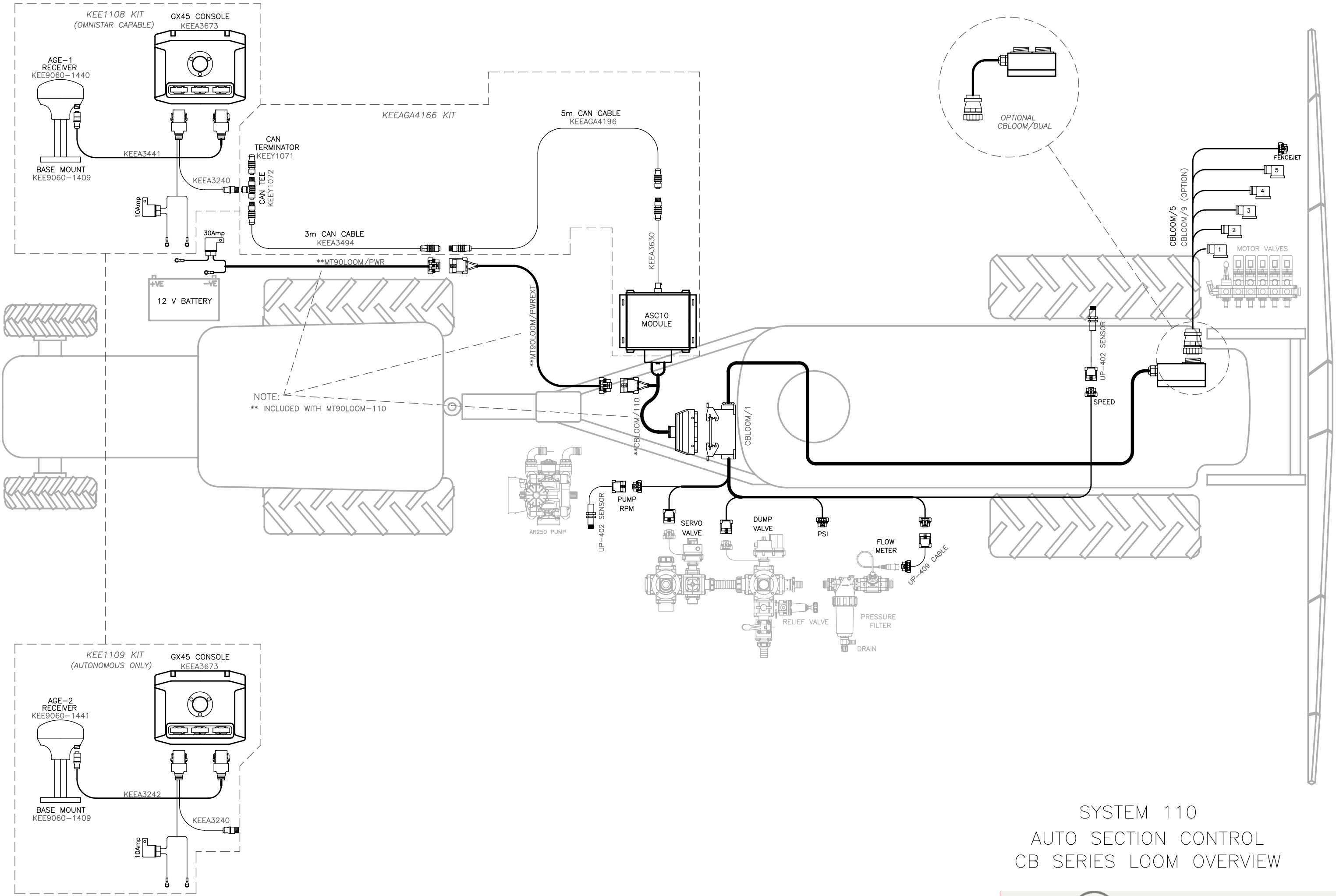


NOTES:

- SERVO VALVE WIRES MAY NEED TO BE REVERSED AT VALVE METRIPACK CONNECTOR ON CBLOOM/1 TO CONFIRM CORRECT VALVE OPERATION

CBLOOM/110  
 AUTO SECTION CONTROL  
 ADAPTOR LOOM

4th MAY 2010



SYSTEM 110  
 AUTO SECTION CONTROL  
 CB SERIES LOOM OVERVIEW



Note: Drawing is for illustration purpose only

27th APRIL 2010