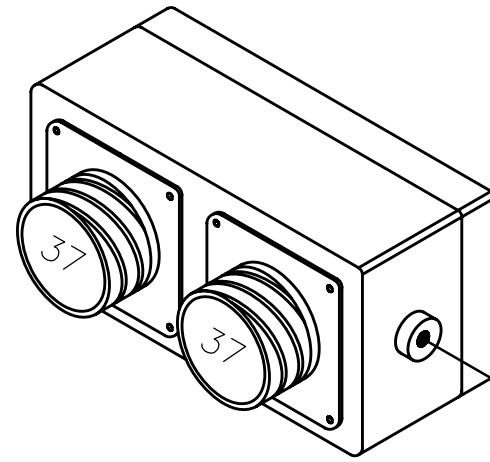
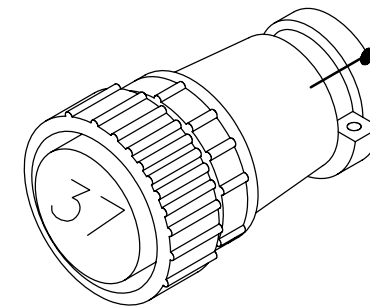


PIN	DESIGNATION	COLOUR
1	12 + VE	RED
2	GRND	BLK
3	SECTION 1	WHT
4	12 + VE	RED
5	GRND	BLK
6	SECTION 2	ORG/BLU
7	12 + VE	RED
8	GRND	BLK
9	SECTION 3	BLU/YEL
10	12 + VE	RED
11	GRND	BLK
12	SECTION 4	PNK
13	12 + VE	RED
14	GRND	BLK
15	SECTION 5	BRN
16	12 + VE	RED
17	GRND	BLK
18	SECTION 6	BLU/WHT
19	12 + VE	RED
20	GRND	BLK
21	SECTION 7	WHT/YEL
25	12 + VE	RED
26	GRND	BLK
27	SECTION 9	BRN/YEL
28	12 + VE	RED
29	GRND	BLK
30	SECTION 10	YEL/BLK



800mm



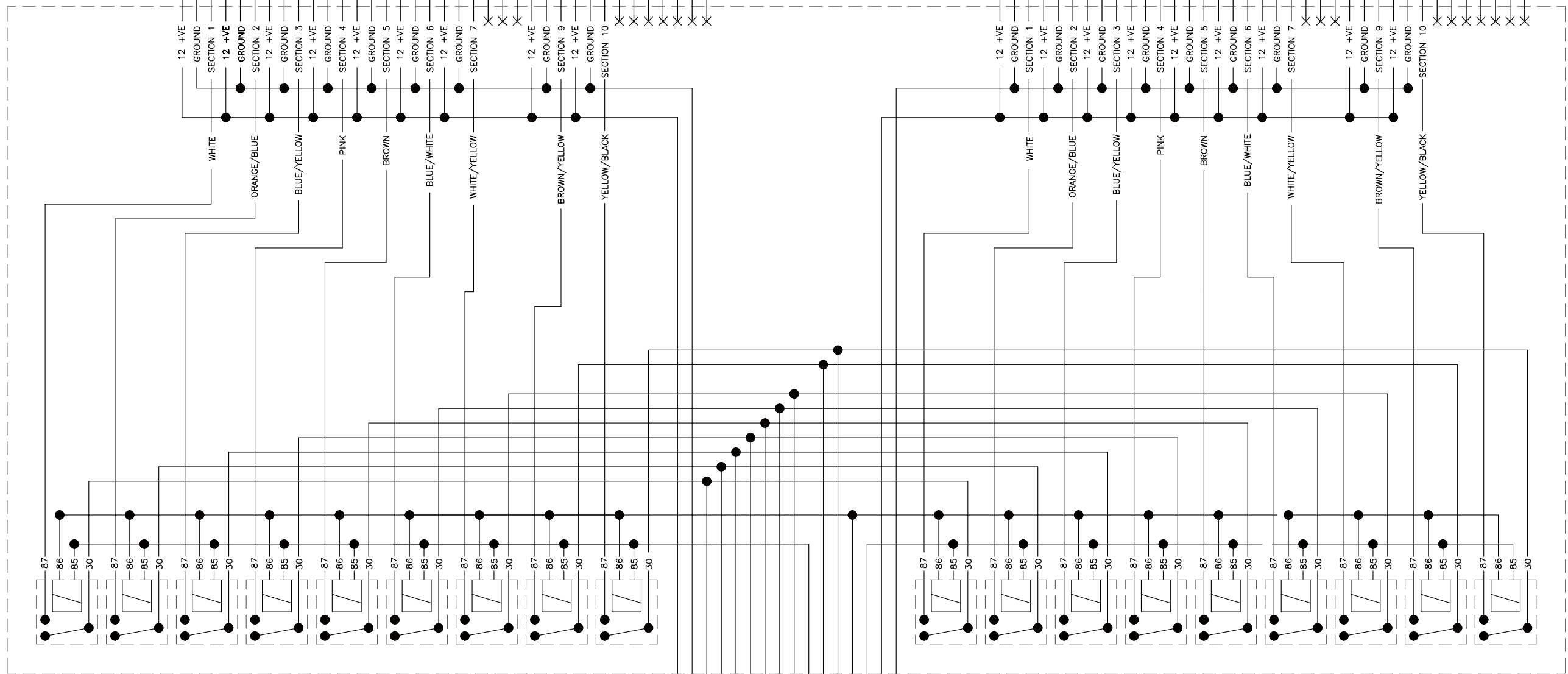
PIN	DESIGNATION	COLOUR
1	12+ve 4mm	RED
2	GRND 4mm	BLK
3	SECTION 1	WHT
6	SECTION 2	ORG/BLU
9	SECTION 3	BLU/YEL
12	SECTION 4	PNK
15	SECTION 5	BRN
18	SECTION 6	BLU/WHT
21	SECTION 7	WHT/YEL
24	DUAL BOOM T1	BLK/WHT
27	SECTION 9	BRN/YEL
30	SECTION 10	YEL/BLK
32	GRND	BLK
33	DUAL BOOM T2	BLK/RED
34	12 +ve 4mm	RED
35	GRND 4mm	BLK

CBLOOM/DUAL RAVEN
 DUAL BOOM CONTROL
 SPRAYER LOOM



LABEL 'T1'

LABEL 'T2'

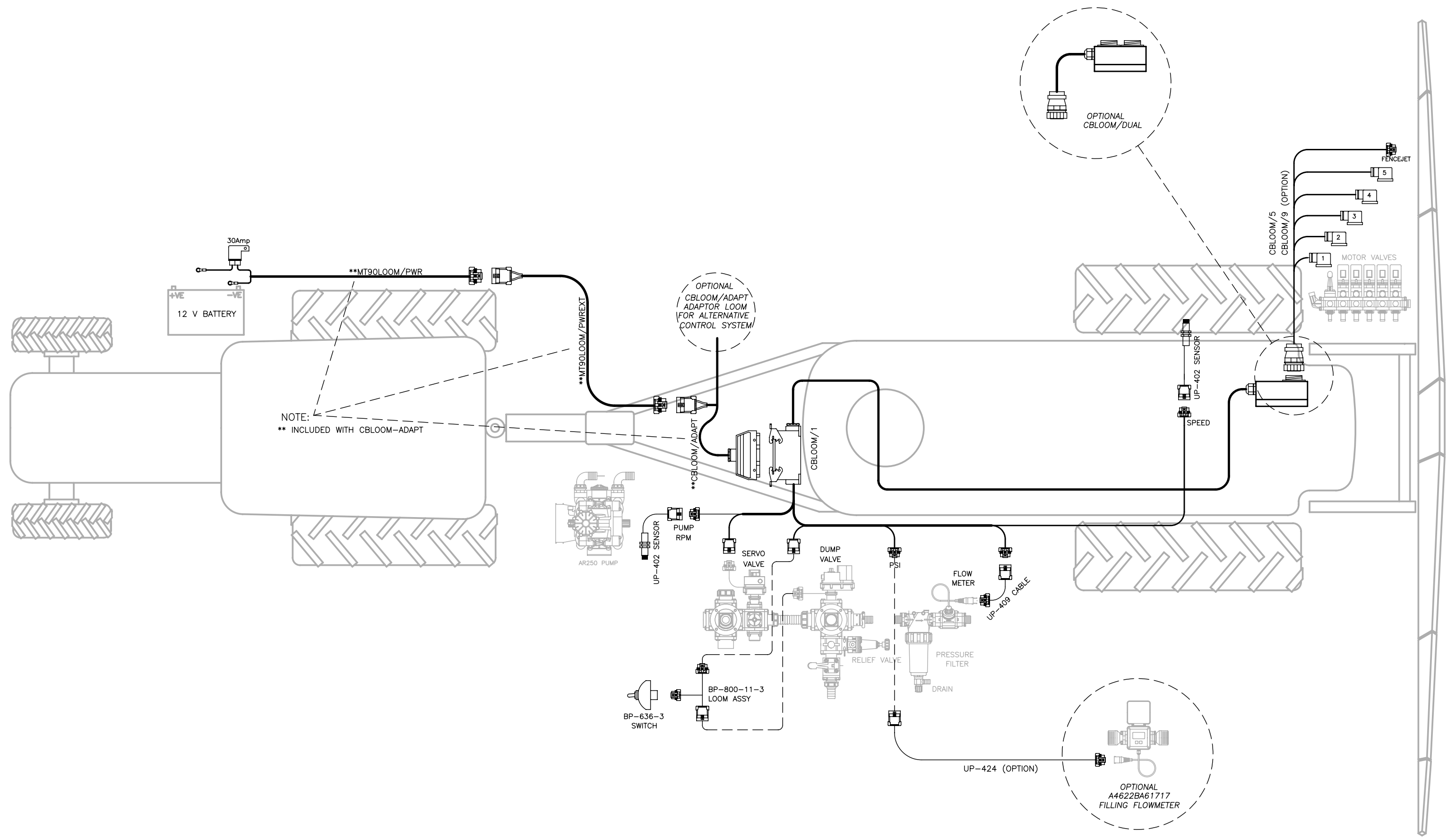


- 1 12 +VE ——— RED
- 2 GROUND ——— BLACK
- 3 SECTION 1 ——— WHITE
- 4 X
- 5 X
- 6 SECTION 2 ——— ORANGE/BLUE
- 7 X
- 8 X
- 9 SECTION 3 ——— BLUE/YELLOW
- 10 X
- 11 X
- 12 SECTION 4 ——— PINK
- 13 X
- 14 X
- 15 SECTION 5 ——— BROWN
- 16 X
- 17 X
- 18 SECTION 6 ——— BLUE/WHITE
- 19 X
- 20 X
- 21 SECTION 7 ——— WHITE/YELLOW
- 22 X
- 23 X
- 24 DUAL BOOM T1 ——— BLACK/WHITE
- 25 X
- 26 X
- 27 SECTION 9 ——— BROWN/YELLOW
- 28 X
- 29 X
- 30 SECTION 10 ——— YELLOW/BLACK
- 31 X
- 32 GROUND ——— BLACK
- 33 DUAL BOOM T2 ——— BLACK/RED
- 34 12 +VE ——— RED
- 35 GROUND ——— BLACK
- 36 X
- 37 X

RAVEN BROADACRE
DUAL BOOM CONTROL
SPRAYER LOOM



17th FEBRUARY 2011



AUTO SECTION CONTROL
CB SERIES LOOM OVERVIEW