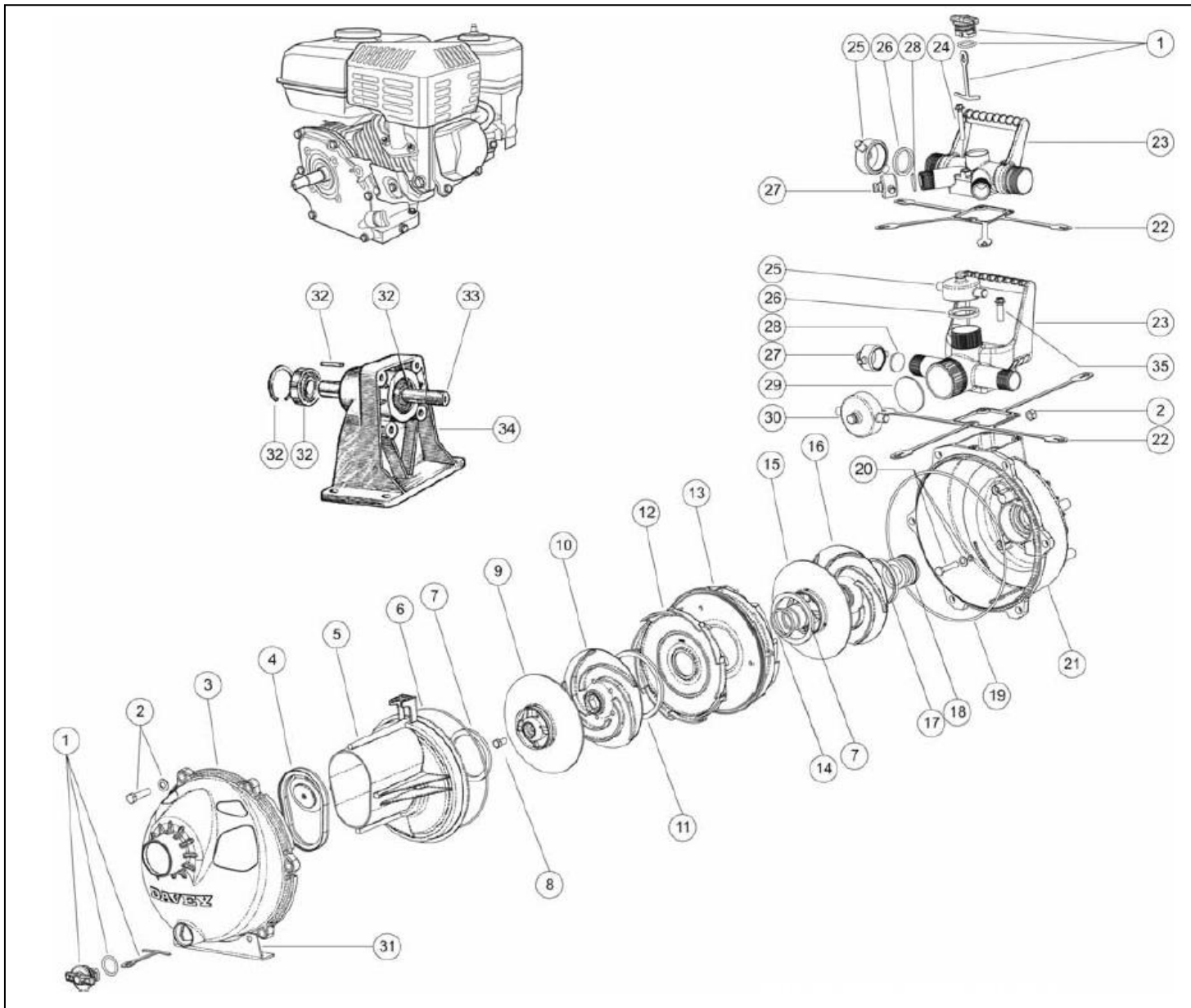


CROPLANDS PART NUMBERS: FF-PUMP/MOTOR FIREFIGHTER 5HP



ITEM	NOTES	DESCRIPTION	QTY	PART NO.
1		Priming / drain plug assy	2	32162
2		Kit - bolt & nut	1	32163
3		Casing - front 1.5" BSP 5250P,5260B,5255H,5265H/HE,5270Y/YE	1	13525-1SP
3		Casing - front 2" BSP All other models not specified	1	13525-2SP
4		Flap valve assembly	1	13081-3SP~
5		Cover plate	1	13386
6	A	O-ring - coverplate	1	400144
7		Neck ring	2	13384
8		Screw - impeller (pk 4)	1	13367*4
8	B	Screw - impeller long 5/8" shaft only after 06181	1	13709*4
9		Impeller top - 1st stage 9hp model only	1	13381-1
9		Impeller top - 1st stage All other models not specified	1	13381
10		Impeller bottom - 1st stage 10 & 13hp models only	1	13380
10		Impeller bottom - 1st stage 9hp model only	1	13380-1
10		Impeller bottom - 1st stage All other models not specified	1	13533
11		Neck ring balance 1st stage	1	13558
12		Diffuser 1st stage	1	13383
13		Diffuser 2nd stage	1	13382
14		Neck ring - inner stage	1	13476
15		Impeller top - 2nd stage 5290B/BE/H	1	13379-1
15		Impeller top -2nd stage All other models not specified	1	13379
16		Impeller bottom - 2nd stage 10hp Yanmar 10 hp model only	1	13376-2SP~
16		Impeller bottom - 2nd stage 13 hp models only	1	13376SP~
16		Impeller bottom - 2nd stage Yanmar 7hp models only	1	13535-1SP~
16		Impeller bottom 2st 9-10hp 9 hp models only	1	13376-1SP~
16		Impeller bottom - 2nd stage All other models not specified	1	13535
17		Neckring balance 2nd stage	1	13366
18		Seal Mechanical 35mm Type 2100 10 hp model only	1	48816
18		Seal - mechanical 3/4" 7hp models only	1	48803SP~
18		Seal mechanical 33mm Type 2100 9 & 13 hp models only	1	48779~
18		Seal - mechanical 5/8" type 6 All other models not specified	1	48801SP~
19	A	O-ring - casing	1	43063
20		Kit - bolt washer oring (pk4)	1	31327*4~
21		Casing - rear 35mm 10 hp model only	1	13039-3PR
21		Casing - rear 3/4" (Yanmar) 7hp models only	1	13039-2SPR~
21		Casing - rear 9 & 13 hp models only	1	13039-1SPR~
21		Casing - rear 5/8" All other models not specified	1	13039SPR~
22		Gasket - discharge 3 way	1	13539
22		Gasket - discharge 4 way	1	13099
23		4 way discharge 5250P,5255H,5260B,5265H/HE	1	13077SPR
23		4 way discharge 7 hp models only	1	13077-2SPR
23		3 way discharge 2" BSPT All 9, 10 & 13hp, (excl. HEQ)	1	13497SPR
23		3 way discharge 1.5" BSPT HQ & HEQ models	1	13497-1SPR
24		Screw outlet (pk 3)	1	9615-10*3
25	B	Cap assy blank 1.5" BSP	2	32164
26	B	Gasket 1 1/2" cap	2	13490
27		Cap assy blank 1" BSP	2	32165
28		Gasket - 1" cap	2	13489
29		Gasket - 2" cap 9, 10 & 13hp excl. HEQ model	1	13540
30		Cap - 2" BSP 9, 10 & 13hp excl. HEQ model	1	13541
31		Bracket - front case 5 series 9 & 13hp models only	1	13425PR
32		Kit - bearing bareshaft 5250P only	1	31477~
33		Shaft - m/c b/shaft sp 5250P only	1	9205-10~
34		Housing - bearing 5250P only	1	9204-10SP~
35		Screw handle (3 pack)	1	32257
	C	Neck & balance ring kit Not Illustrated	1	32249
		Viton seal kit 5/8 seal 4 way outlet Not Ill. - all other models	1	32185
		Viton seal kit 5/8 seal 3 way outlet Not Ill. - 5265H/HE only	1	32245
		Viton seal kit 3/4 seal 4 way outlet Not Ill. - 5270Y/YE only	1	32235
		Viton seal kit 33mm seal 3 way outlet Not Ill. - 9 & 13hp models	1	32246
		Viton seal kit 35mm seal 3 way outlet Not Ill. - 5210YE	1	32248
		Seal kit - 5 series 9 & 13 hp 2 stage	1	32337
		Seal kit 10hp 2 stage	1	32336
		Seal kit 7 hp 2 stage	1	32335
		Seal kit - 5 series 2 stage 5, 5.5, 6, 6.5hp	1	32338

SINGLE IMPELLER "FIREFIGHTER®"
Model Numbers: 5155H, 5160B,
5165H & 5165HE

DEPEND ON
DAVEY

WATER PRODUCTS



SELF PRIMING PUMPS

PRODUCT DESCRIPTION

Rugged, economical single impeller self priming pump. These units are driven by either a 6hp Briggs & Stratton "Vanguard" engine, a 5.5hp Honda GX160 engine or a 6.5hp Honda GX200 engine. The GX200 engine is also available in electric start.

APPLICATIONS

- Firefighting
- Tanker to tanker water transfer
- High head general water transfer
- Sheep jetting
- Irrigation
- Boom spraying

FEATURES & BENEFITS

Patented clamped impeller design to enable longer impeller life, improved performance and easier disassembly in the case of blockage.

Single impeller design provides the versatility of high flow rates with strong pressure.

Thrust balanced impeller design to extend engine life.

Pump casing, diffusers and impellers manufactured from quality corrosion resistant marine grade aluminium for long life.

4 way discharge port for easy installation with a choice of plumbing sizes.

Polyester coated pump casing, exterior and interior, for added corrosion resistance.

Patented floating impeller neckrings front and back. The front neckring helps improve pumping efficiency, the back neckring helps extend seal life and dramatically reduce engine wear.

Self priming from 7m for more versatile installation options.

Large priming and drain port with bayonet fit plugs. Plugs have safety retention system, plus are available with 1/4" tapping to accept pressure gauges or drain cocks.

Low-oil protection on all models - engines won't start or run if oil level is inadequate, thus protecting your engine.

All engines feature cast iron cylinder bore for long life.

Electric start models have electric starter (battery and leads required) and recoil starter fitted, ensures a choice of starting methods, even if the battery is flat or removed.

Viton seal and oring kit available for herbicide/insecticide spraying.

All engines conform to the tough environmental requirements of the USA EPA and CARB standards, to help look after the environment.

OPERATING LIMITS

Flows to	500lpm
Maximum total head	72m
Maximum suction Lift	7m
Maximum water temperature	50°C
Minimum water temperature	1°C
Maximum casing pressure	1000kPa
Minimum suction pipe size	1 1/2"
Suction pipe strainer	Required
Inlet size	1 1/2" BSP(M)*
Outlet sizes	2 x 1 1/2" BSP(M)* 2 x 1" BSP(M)*

* NPT thread available on request.



TECHNICAL SPECIFICATIONS

MATERIALS OF CONSTRUCTION

PART	MATERIAL
Suction cover	Marine grade aluminium (AS605)
Diffuser	Marine grade aluminium (AS605)
Impeller	Marine grade aluminium (AS605)
Casing / yoke	Marine grade aluminium (AS605)
Mechanical seal	Carbon / ceramic
4 way discharge	Marine grade aluminium (AS605)
Casing bolts	Zinc plated steel
Yoke bolts	Stainless steel
Flap valve / seal ring	Zinc body, Hytrel seal
Neck ring, priming & drain plug	Glass filled Nylon
Casing, priming & drain plug oring	Nitrile rubber
Discharge gasket	Hytrel
Paint finish	Baked polyester powder coat

ENGINE SPECIFICATIONS

Single Stage Pump Model	5155H	5165H	5165HE	5160B
Engine Brand	Honda			B&S
Engine Model	GX160	GX200	GX200E	Vanguard
Engine Type	Overhead Valve			
Max. HP @ 3600 rpm	5.5	6.5	6.5	6.0
Displacement (cc)	163	196	196	182
Fuel Tank (litres)	3.6	3.6	3.6	4
Oil Capacity (litres)	0.6	0.6	0.6	0.7
Compression Ratio	8.5:1			
Air Filter Type	Dual stage - foam prefilter with paper element final filter			
Spark Arrestor	NO	NO	NO	YES
Approx. fuel consumption @ full load @ 3600 rpm	1.73l/hr	2.05 l/hr	2.05 l/hr	1.93 l/hr
dBa @ 4m @ 3600 rpm @ full load	85	86	86	75

INSTALLATION & PRIMING

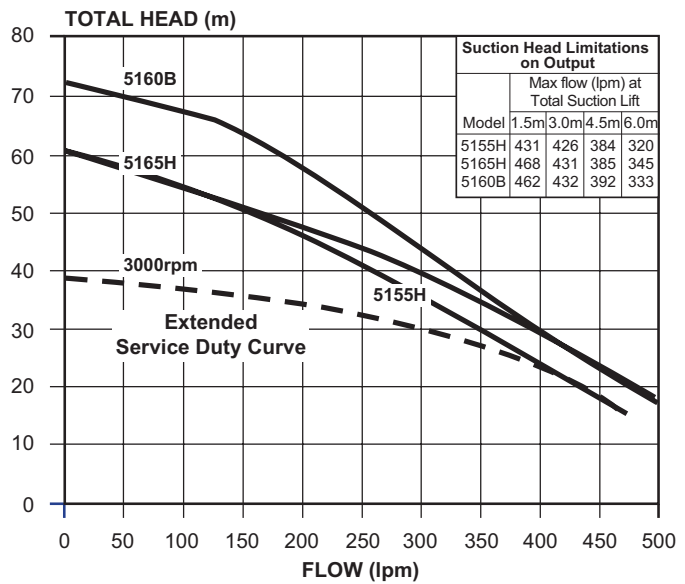
- Fit strainer to bottom of suction pipe; a foot valve is not required
- To prime, fill pump body with water then allow pump to run until drawing water

This literature is not a complete guide to product usage. Further information is available from your Davey dealer, Davey Customer Service Centre and from the relevant product Installation and Operating Instructions. This data sheet must be read in conjunction with the relevant product Installation and Operating Instructions and all applicable statutory requirements. Product specifications may change without notice. © Davey and Firefighter are registered trademarks of Davey Products Pty Ltd. © Davey Products Pty Ltd 2004.

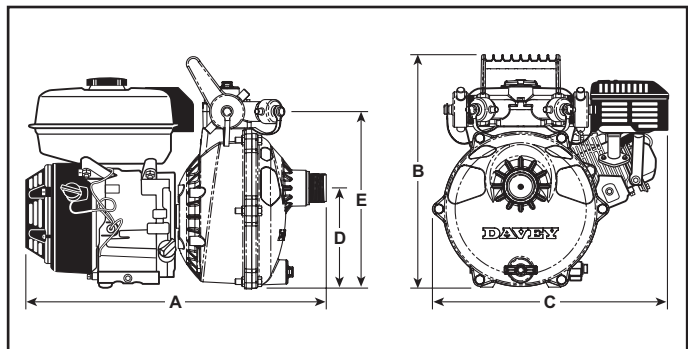
DEPEND ON
DAVEY

WATER PRODUCTS

HYDRAULIC PERFORMANCE



DIMENSIONS



Model	A	B	C	D	E	Inlet BSP	Outlet BSP	Net Weight kg.
5165H 5165HE	510	388	402	169	296	1 1/2" M	2x1" M 2x1 1/2" M	22 22.5
5155H	445	388	388	169	296	1 1/2" M	2x1" M 2x1 1/2" M	21
5160B	535	388	395	169	296	1 1/2" M	2x1" M 2x1 1/2" M	25.5

All dimensions in mm unless otherwise stated.



Visit Davey on-line for further information
www.davey.com.au

Davey Products Pty Ltd

Member of the GUD Holdings Ltd Group
ABN 18 066 327 517
Head Office and Manufacturing
6 Lakeview Drive,
Scoresby, Australia 3179
Ph: +61 3 9730 9222
Fax: +61 3 9753 4100
Website: www.davey.com.au
Customer Service Centre
Ph: 1300 367 866
Fax: 1300 369 119
E-mail: sales@davey.com.au
Interstate Offices
Sydney - Brisbane - Adelaide
Perth - Townsville

International

6 Lakeview Drive,
Scoresby, Australia 3179
Ph: +61 3 9730 9121
Fax: +61 3 9753 4248
E-mail: export@davey.com.au

Germany

Kantstrasse 47,
04275 Leipzig
Ph: +49 341 301 0412
Fax: +49 341 301 0413
E-mail: akrenz@daveyeurope.com

New Zealand

2 Rothwell Avenue,
North Harbour, Auckland 1330
Ph: +64 9 914 3680
Fax: +64 9 914 3685
Website: www.daveynz.co.nz
E-mail: sales@daveynz.co.nz

USA

Davey Pumps Inc.
1005 N. Commons Drive
Aurora, Illinois 60504
Ph: +1 630 898 6976
Fax: +1 630 851 7744
Website: www.daveyusa.com
E-mail: sales@daveyusa.com