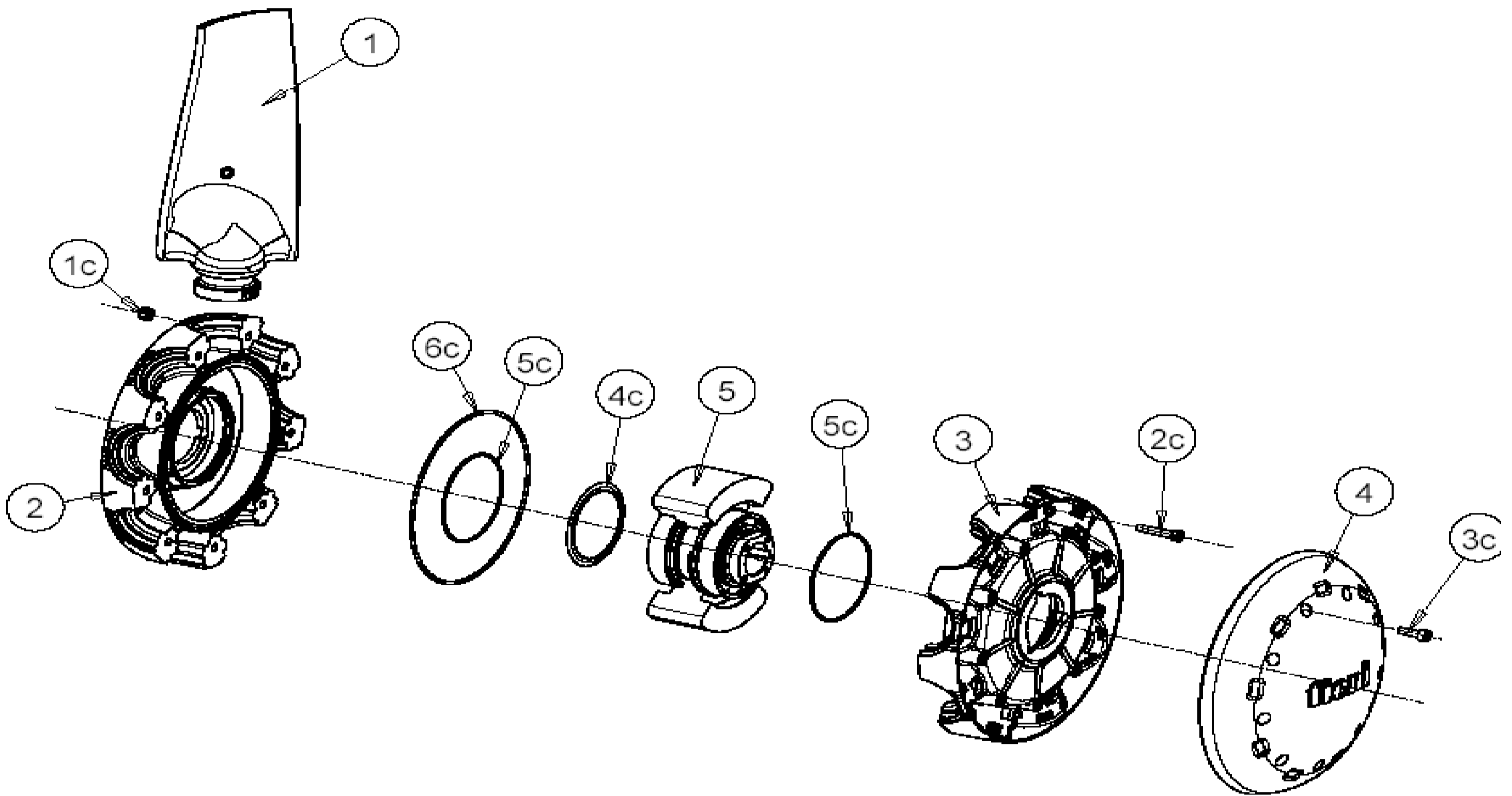


ITEM	PART NUMBER	DESCRIPTION	QTY.
1	FIRET00000142	PAINTED SHAPED GUARD 2200X245 mm	1
2	FICNI00000027	SS FAN HOUSING D.820 H.320	1
3	FIPIA00000555	SS BACKPLATE PT/164	1
3S	FISTA00000163	STA/OP/10 SS STIRRUP FOR CLAMP	1
4S	FISTA00000001	GALVANISED STIRRUPS	4
48	FIDVI00000005	SS BOTTOM DEFLECTOR H.150 TURBO AIR	1
52	FICAV00000034	CM9OP/815 BLACK FRAME	1
94	FISQU00000002	SS STIRRUPS FOR STRAIGHTENING VANES	9
110	FIRET00000130	BLACK SAFETY GUARD RT/17 WITH 17BLADE H.116	1
122	FIBAN00000189	SS BN/153 BOTTOM DEFLECTOR 84VPL	2
150	FICON00000025	PST CONE H.140MM.	1
152	FIDIS00000023	SS SPACER FOR TURBO 820 H.38	13
153	FIANE00000101	COMPLETE TURBO RING 820 PAINTED	1
	FIBULLONI0023	KIT BULLONI H.150 5 DIST. SAG. Zn.	1
43	FIDIS00000007	SHAPED SPACER 820 H.150 DIS.01/03	5
43A	FIRON00000118	10X30X3 GALV.SHAPED WASHER	5
43A	FIRON00000114	10X21 GALV. WASHER	2
43B	FITER00000006	TER80 GALVANISED 10X180 BOLT	7
43C	FIAUT00000001	10 MA LOCKNUT	7
4	FITUB000032DX	SS COMPL.MANIFOLD 10M	1
4	FITUB000032SX	SS COMPL.MANIFOLD 10M	1
4G	FITAP00000001	1/2 CAP	1
4T	FITUB169DX820	SS PIPE TB/09 L.945-10 HOLES	1
4T	FITUB169SX820	SS PIPE TB/09 L.945- 10 HOLES	1
4M	FICUR00000001	½ - ½ GAS ELBOW	1
	FIMOR00000003	1/4 F GAS CLAMP WITH BOLT AND "O" RING	10
4A	FIMOR00000001	¼ F. GAS CLAMP LONG	10
4C	FIOR00000014	3030 VITON "O" RING	10
4E	FITCC00000004	TCCE 6X14 BOLT	20
10	FIFRI00000007	CLUTCH 820SV	1
11	GYBYHJY	FAN 815VPL-OPP+KIT CLUTCH +COVER,COMPLETE	1
299	FIMOLZZ000041	GEARBOX CM/9P "B" WITHOUT LEVER	1
300	FILEV00000076	GALVANISED LEVER L.380	1

D.815-VPLOP815008

aggiornato al 05/05/2015



D.815-VPLOP815008

Item	Part Number	Description	QTY
	FIVPLOP815008	D.815VPL COMPLETE FAN "O"	1
1	FIPAL00000049	D. 815mm "O" NYLON BLADE (SINGLE)	9
1a	FIVPLBLADEKIT	D. 815mm "O" NYLON BLADE (KIT x9)	9
1c	FIAUT00000107	SS M6 LOCKNUT	9
2	FIFUS00000294	MIDDLE HUB VPL/31 MALE WITH LINING ANODIZED	1
2c	FITCC00000140	SS TCCE 6X35	9
3	FIFUS00000293	MIDDLE HUB VPL/50 FEMALE WITH LINING ANODIZED	1
3c	FITCC00000137	SS TCCE 6X20	9
4	FICOP00000010	YELLOW "Fieni" FAN COVER	1
4c	FIANE00000063	79X71X0,6 RING	1
5	FIFRI00000007	VPL CP CLUTCH	1
5c	FIORM00000001	ORM 0800x2	2
6c	FIOR000000034	OR 3625	1