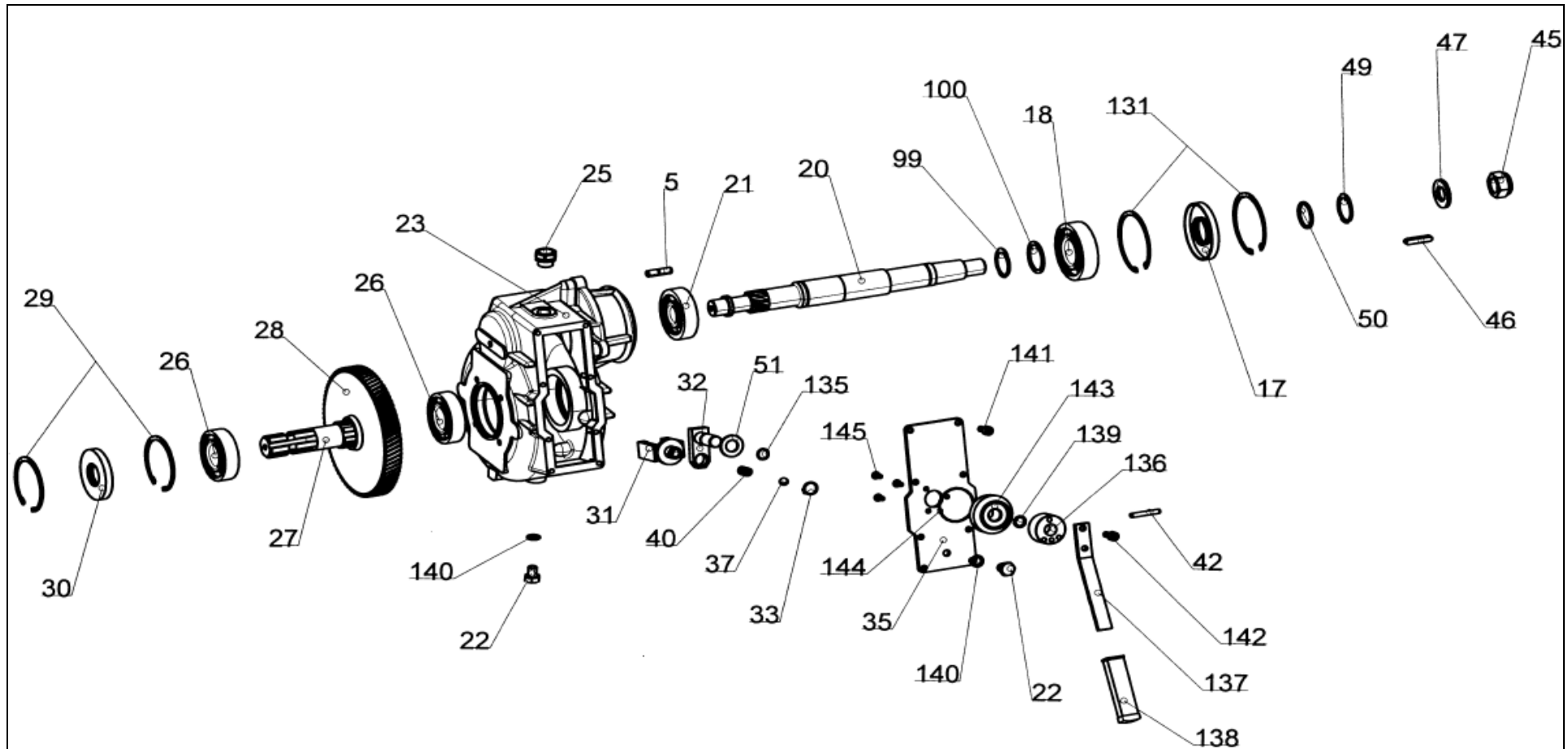


## CROPLANDS PART NUMBERS: FIMOLCF000071 – GEARBOX CF/V1/10 GRAPLINER 520mm GALV FAN

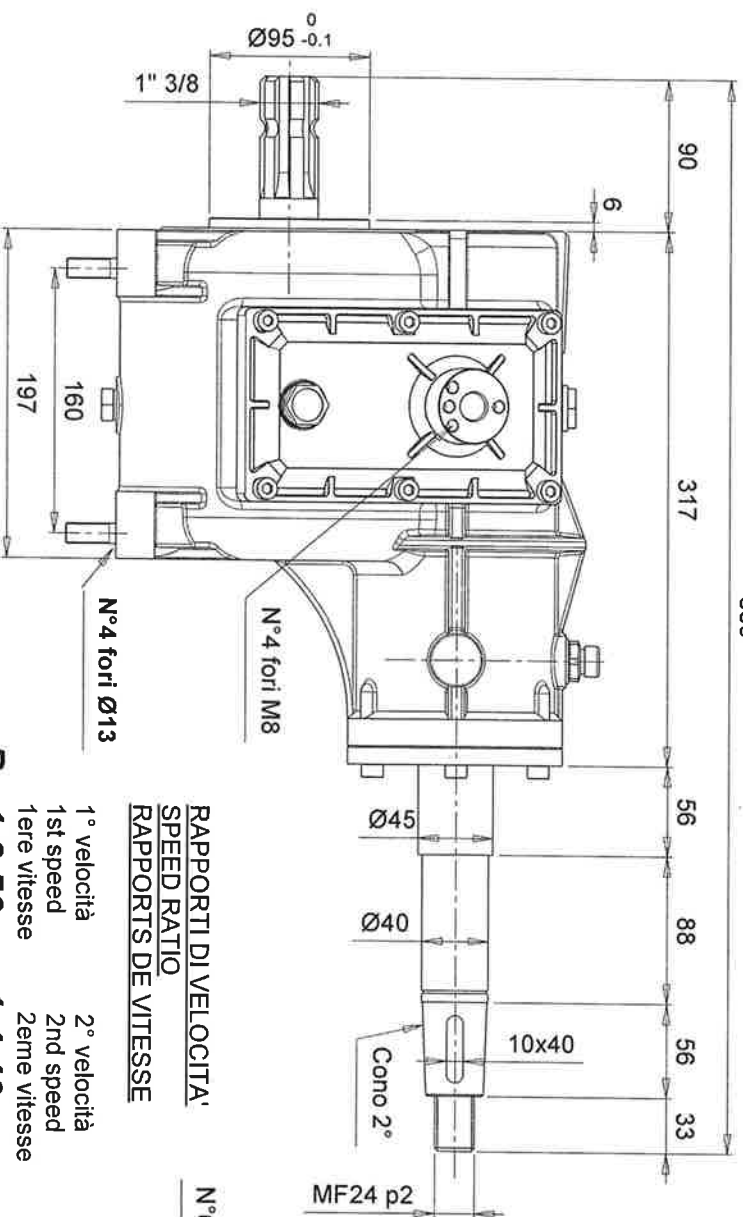
Parent item: FICFGRU520002



ITEM	PART NUMBER	DESCRIPTION	QTY.
5	FIPRI00000008	10X20 STUD	6
17	FIPAR00000019	40X90X10SC SEAL	1
18	FICUS00000020	6308 BEARING	1
20	FIPGN00000038	CF/V1/40 SHAFT	1
21	FICUS00000019	6405 BEARING	1
22	FITER00000011	12X16 BOLT	1
23	FIFUS00000150	CF/V1/20 GEARBOX CASING	1
25	FISFI00000002	1/2 BREATHER	1
26	FICUS00000016	6307 BEARING	2
27	FIPER00000036	SPLINING PIVOT CF/V1/60	1
28	FICOR00000037	CF/V1/50 GEAR	1
29	FISEG00000014	I 80 CIRCLIP	2
30	FIPAR00000003	35X80X10 SEAL	1
50	FIANE00000038	45X35X2 RING	1
99	FISEG00000005	E 40 CIRCLIP	1
100	FIANE00000013	50X40X2 RING	1
131	FISEG00000023	I 90 CIRCLIP	2
140	FIRON00000300	ALL.RING 12x17x1,5	1
141	FITCC00000011	TCCE 8X20	8
	<b>FIKIT00000013*</b>	<b>KIT- CF/V1 RECTANGULAR GEARBOX</b>	<b>1</b>
	<b>FIKIT00000112*</b>	<b>KIT- CM9 COMPLETE LEVER</b>	<b>1</b>
	<b>FIBULLONI0103*</b>	<b>KIT BOLTS TO KEEP THE FAN ON THE GEARBOX</b>	<b>1</b>
	<b>FIKIT00000013*</b>	<b>KIT- CF/V1 RECTANGULAR GEARBOX</b>	<b>1</b>
22	FITER00000011	12X16 BOLT	1
31	FIFOR00000014	COMPLETE FORK CF/V1/80	1
32	FIBIE00000016	COMPLETE ROD	1
33	FISEG00000003	E 18 CIRCLIP	1
35	FICOP00000020	CF/V1/31 RECTANGULAR COVER	1
37	FISFE00000004	SPHERE D.11	1
40	FIMLL00000020	SPRING CM9/10	1
42	FISPI00000005	6X45 PLUG	1
51	FIRON00000101	18X34X3 WASHER	1
135	FIOR000000002	OR 2056	1
136	FIPOR00000002	LEVER HOLDER CM/9	1
139	FIOR000000001	OR 117 FOR LEVER	1
140	FIRON00000300	ALL.RING 12x17x1,5	1
145	FITPS00000011	TPSCE 6X14	3
143	FIFLA00000020	CF/V1/70 FLANGE FOR LEVER HOLDER	1
144	FIOR000000023	O RING 2200	1
	<b>FI KIT00000112*</b>	<b>KIT- CM9 COMPLETE LEVER</b>	<b>1</b>
137	FILEV00000001	CM9/08 LEVER	1
138	FIMAN00000002	HANDGRIP	1
142	FITCC00000020	8X16 TCCE	2
	<b>FI BULLONI0103*</b>	<b>BOLTS TO KEEP THE FAN ON THE GEARBOX</b>	<b>1</b>
45	FIAUT00000010	¼ F. GAS CLAMP	1
46	FICHI00000003	KEY 8X7X40	1
47	FIRON00000103	24X44X4 WASHER	1
49	FISEG00000004	E 35 CIRCLIP	1

MOLTIPLICATORE A DUE VELOCITA' E DISINNESTO TIPO: **V2G-B**  
 TWO SPEED AND NEUTRAL GEARBOX TYPE: **V2G-B**  
 MULTIPLICATEUR AVEC DEUX VITESSES ET DEBRAYAGE TYPE: **V2G-B**

639



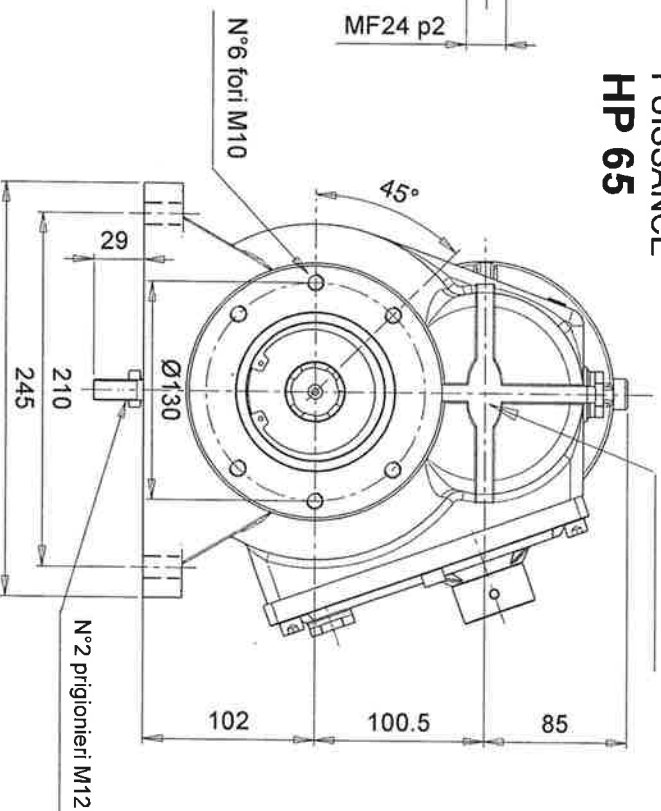
**RAPPORTI DI VELOCITA'**  
**SPEED RATIO**  
**RAPPORTS DE VITESSE**

1° velocità 2° velocità  
 1st speed 2nd speed  
 1ere vitesse 2eme vitesse

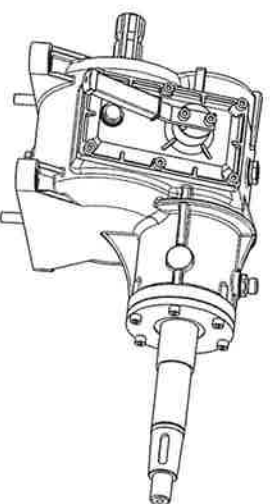
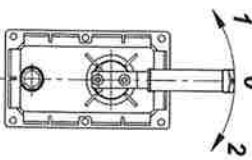
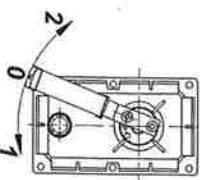
**B 1:3.50 1:4.40**

POTENZA  
 POWER  
 PUISSANCE  
**HP 65**

**Velocità=B**



Un'unica leva per tre posizioni  
 Only one gearbox shift for 3 positions  
 Une seule levier pour 3 positions



Codice:	1			Prodotto:	1
N. PEZZI PER MACCHINA	1			MODIFICA	
Assemblaggio				DATA	
STATO				TRATTAMENTO	
MATERIALE				PESO PEZZO	
DENOMINAZIONE: <b>Moltiplicatore V2G-STD Veloce</b>					
<b>fichi giovanni</b>		N. DISEGNO		SCALA: 1:3	
ALTEDO - BOLOGNA (ITALY)		<b>V2G-B</b>		DATA: 04/02/2008	
S.n.c.				MELLONI	
TEL. 051-871004				FIRMA	
FAX. 051-871865					