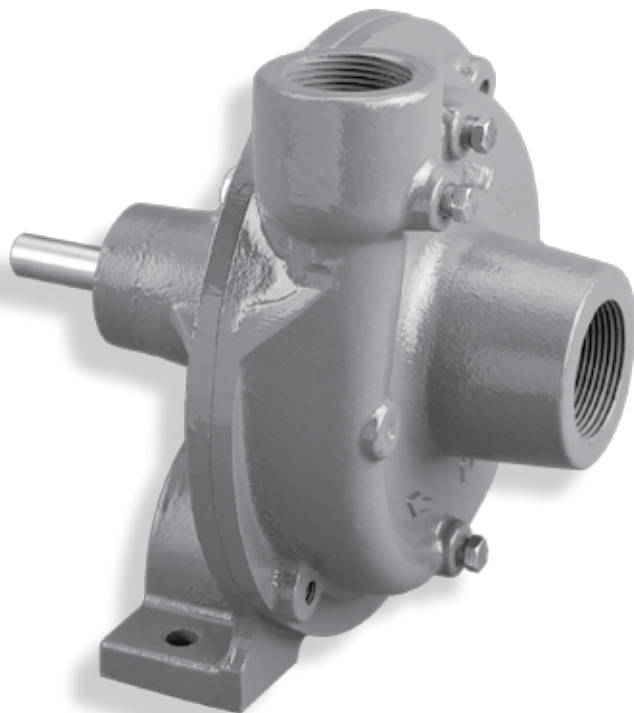




High Performance Frame Mounted Centrifugal Pump



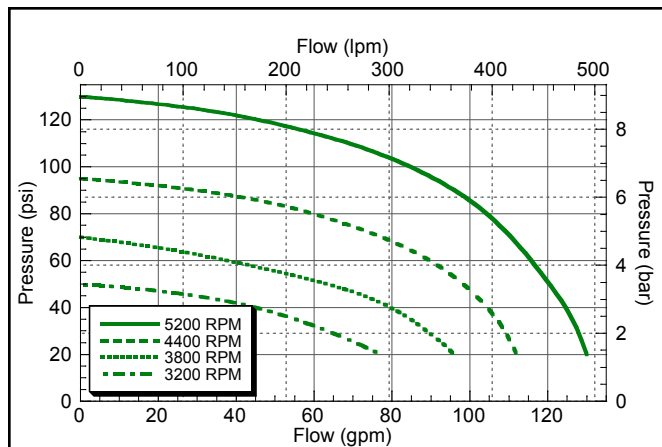
FMC-150

- Suction 1-1/2" Discharge 1-1/4"
- 120 PSI and 46 GPM at 5,200 RPM Shaft Speed
- Counter Clockwise Rotation when Facing Shaft End
- Stainless Steel Shaft and Wear Ring
- Chemical Resistant Valox® or Optional Cast Iron Impeller
- Standard Viton® Carbon/Ceramic seal or Optional Severe Duty Silicon Carbide Mechanical Seal

® Valox is a registered trademark of GE Plastics.

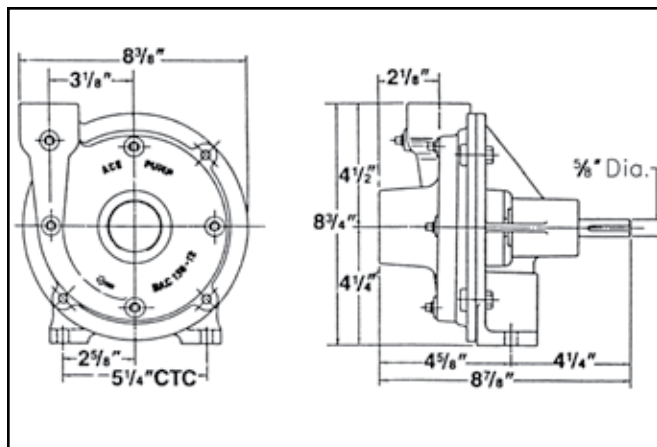
® Viton is a registered trademark of DuPont Dow Elastomers.

PERFORMANCE CHART

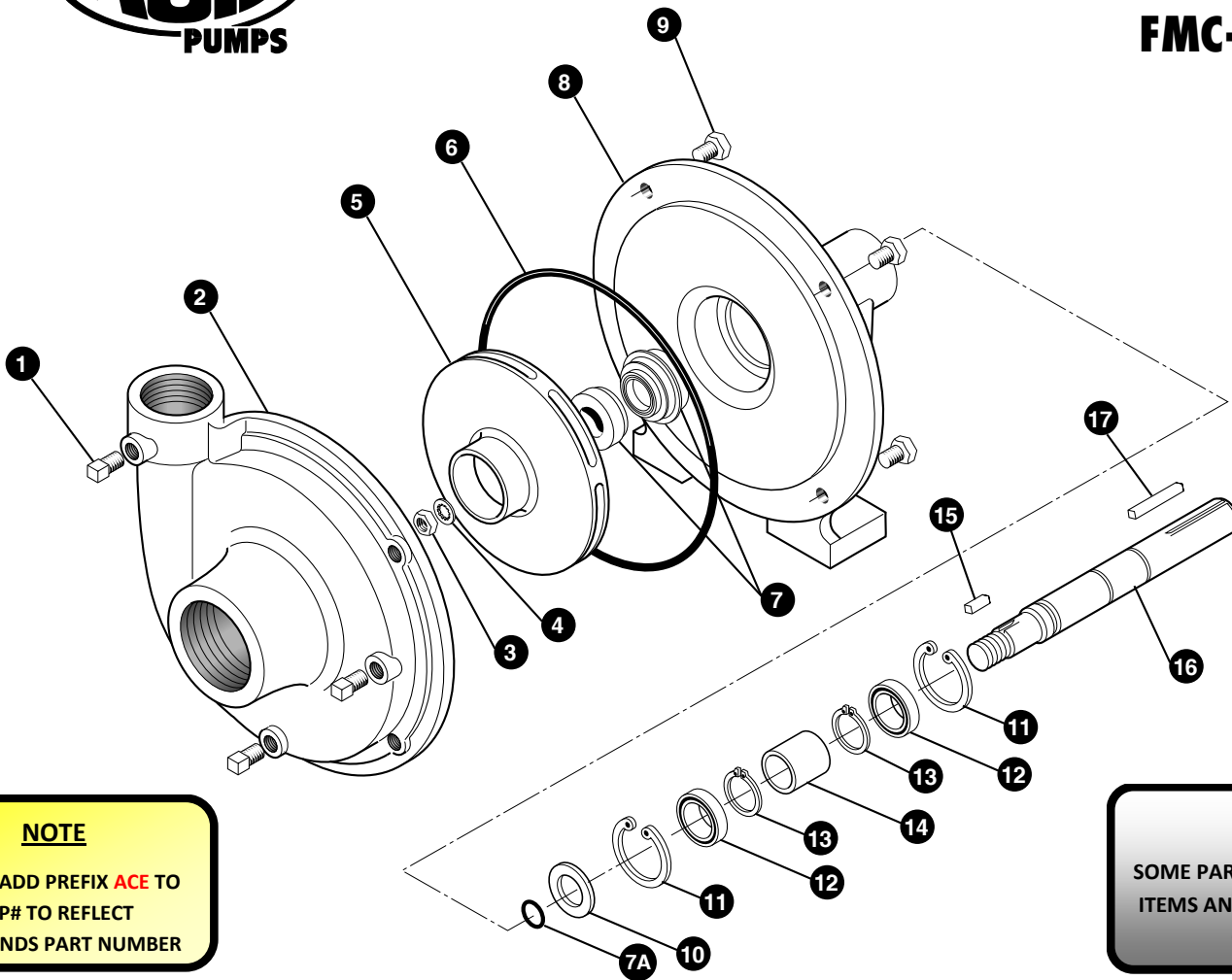


$$\frac{\text{Pump RPM}}{\text{Driveshaft RPM}} = \frac{\text{Drive Pulley Diameter}}{\text{Pump Pulley Diameter}}$$

DIMENSIONS



INCHES	8 7/8	8 3/4	8 3/8	5 1/4	4 5/8	4 1/2	4 1/4	3 1/8	2 5/8	2 1/8
MM	225.4	222.3	212.7	133.4	117.5	114.3	108.0	79.4	66.7	54.0



NOTE

PLEASE ADD PREFIX **ACE** TO
EDP# TO REFLECT
CROPLANDS PART NUMBER

NOTE

SOME PARTS ARE NON-STOCK
ITEMS AND MAY NEED TO BE
ORDERED

REF. #	PART #	EDP #	DESCRIPTION	REQ.
1	BAC-53	41110	Pipe plug, 1/8" NPT	4
1	41120	41120	Pipe plug, 1/8" NPT, stainless steel (optional)	4
2	BAC-12-150	40255	Volute, 1-1/2" x 1-1/4", cast iron	1
3	BAC-23-A	40391	Nut, 3/8" NF Hex, cad plated locknut	1
4 ^{①②}	BAC-24-HYD-SS	40400	Washer, 3/8", stainless steel	1
5	BAC-26-150-P	40445	Impeller, Valox with keyway	1
5	BAC-26-150	40446	Impeller, cast iron with keyway (optional)	1
6 ^{①②}	BAC-4-150	40015	"O" Ring for BAC-12-150 volute seal	1
7 ^①	BAC-7V	40151	Seal, Viton mechanical seal (includes 40160 "O" ring)	1
7 ^{①②}	BAC-7SC	40152	Seal, Silicon carbide mechanical seal (includes 40160 "O" Ring)(optional)	1
7A ^{①②}	40160	40160	"O" Ring for BAC-6 shaft	1
8	BAC-14-150-F	40306	Mounting frame	1
9	40930	40930	Cap screw, 3/8" NC x 3/4" Hex head, stainless steel (optional)	4
9	40950	40950	Cap screw, 3/8" NC x 3/4" Hex head	4
10	BAC-54	41130	Slinger	1
11	BAC-33	40810	Snap ring, internal, BAC-14 mounting frame	2
12	BAC-37	40870	Bearing, BAC-6 driven shaft	2
13	BAC-32	40790	Snap ring, external, BAC-6 driven shaft	2
14	BAC-32-S	40795	Spacer for BAC-6 shaft	1
15	BACH-25	40420	Key, 1/8" x 1/8" x 1/2"	1
16	BAC-6-150/200	40055	Shaft, 5/8" Driven shaft with keyway (optional)	1
16	BAC-6-150/200-SS	40056	Shaft, 5/8" Driven shaft with keyway, stainless steel	1
17	BAC-50	41080	Key, 3/16" x 3/16" x 1-1/4"	1
①	RK-FMC-150	52710	Repair kit for FMC-150 series	-
②	RK-FMCS-150	52711	Repair kit for FMC-150 series with silicon carbide shaft seal	-