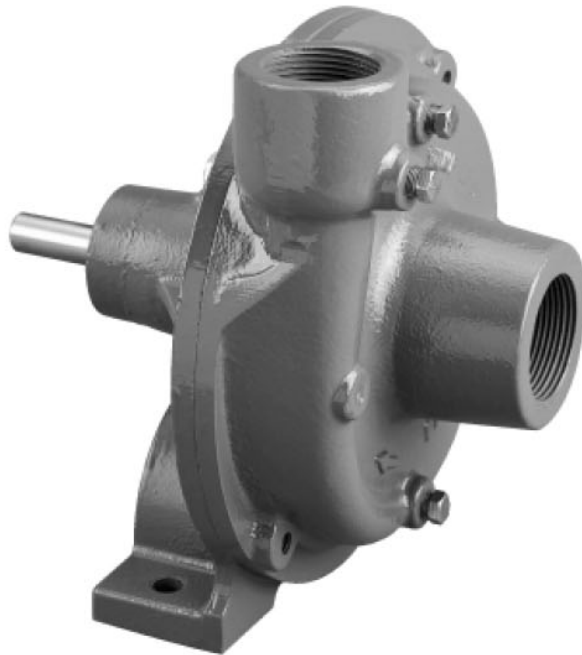




High Performance Frame Mounted Centrifugal Pump



FMC-150

- Suction 1-1/2" Discharge 1-1/4"
- 120 PSI and 46 GPM at 5,200 RPM Shaft Speed
- Counter Clockwise Rotation when Facing Shaft End
- Stainless Steel Shaft and Wear Ring
- Chemical Resistant Valox® or Optional Cast Iron Impeller
- Standard Viton Carbon/Ceramic seal or Optional Severe Duty Silicon Carbide Mechanical Seal

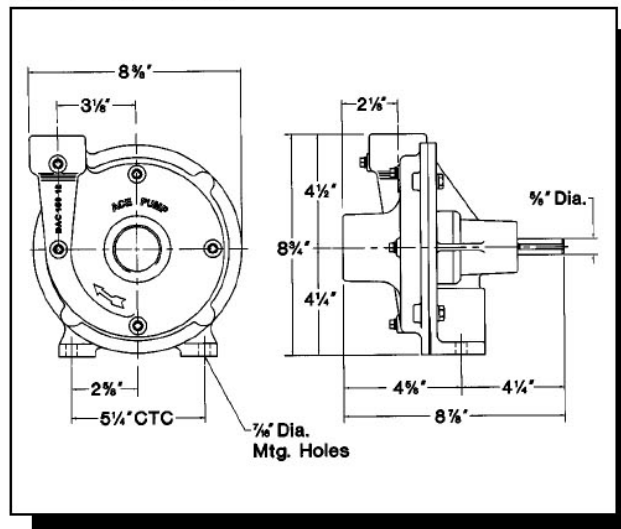
® Valox is a registered trade mark of GE Plastics.

PERFORMANCE CHART

PUMP SHAFT SPEED	20	40	60	80	100	120	140	160	MAX HP
	PSI	PSI	PSI	PSI	PSI	PSI	PSI	PSI	
3200	77	45	-	-	-	-	-	-	1.5
3800	96	80	38	-	-	-	-	-	4
4400	112	105	90	60	-	-	-	-	6
5200	130	125	116	105	85	46	-	-	10
6000	160	150	140	130	114	100	72	37	15

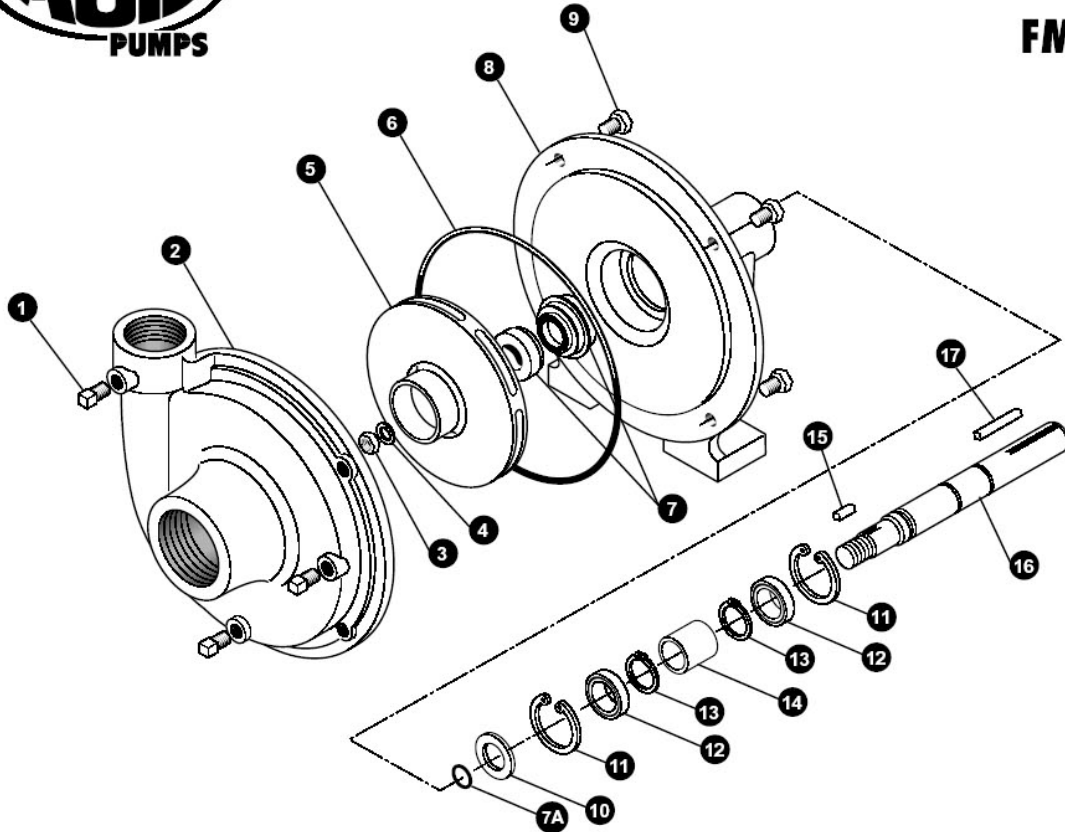
$$\frac{\text{Pump RPM}}{\text{Driveshaft RPM}} = \frac{\text{Drive Pulley Diameter}}{\text{Pump Pulley Diameter}}$$

DIMENSIONS





FMC-150



REF. #	PART NUMBER	EDP NUMBER	DESCRIPTION	REQ.
1	41110	41110	Pipe plug, 3/8" NPT	3
1	41120	41120	Pipe plug, 3/8" NPT, stainless steel(optional)	3
2	BAC-12-150	40255	Volute, 1-1/2" x 1-1/4", cast iron	1
3	BAC-23-A	40391	Locknut, 3/8" NF, cadmium plated	1
4	BAC-24-HYD-SS	40400	Washer, 3/8", stainless steel	1
5	BAC-26-150-P	40446	Impeller, with keyway, thermoplastic	1
5	BAC-26-150	40445	Impeller, with keyway, cast iron(optional)	1
6	BAC-4-150	40015	"O" Ring, volute seal	1
7	BAC-7V	40151	Seal, viton(includes 40160 "O" ring)	1
7	BAC-7SC	40152	Seal, silicon carbide(includes 40160 "O" ring)	1
7A	40160	40160	"O" ring, shaft seal	1
8	BAC-14-150-F	40306	Mounting frame, cast iron	1
9	BAC-39	40950	Cap screw, 3/8" NC x 3/4"	4
10	BAC-54	41130	Slinger	1
11	BAC-33	40810	Internal snap ring, mounting frame	2
12	BAC-37	40870	Sealed ball bearing	2
13	BAC-32	40790	External snap ring, shaft	2
14	BAC-32-S	40795	Spacer, shaft	1
15	BACH-25	40420	Key, 1/8" x 1/8" x 1/2"	1
16	BAC-6-150/200-SS	40056	Shaft, 5/8" with keyway, stainless steel	1
16	BAC-6-150/200	40055	Shaft, 5/8" with keyway (optional)	1
17	BAC-50	41080	Key, 3/16" x 3/16" x 1-1/4"	1
#	RK-FMC-150		Repair kit	1

* Items included in pump repair kit.

Ace Pump Corporation • P.O. Box 13187 - 1650 Channel Avenue • Memphis, TN 38113
 www.AcePumps.com • Phone: 901-948-8514 • Fax: 901-774-6147