



**CROPLANDS**

# High Performance Gas Engine Drive Centrifugal Pump

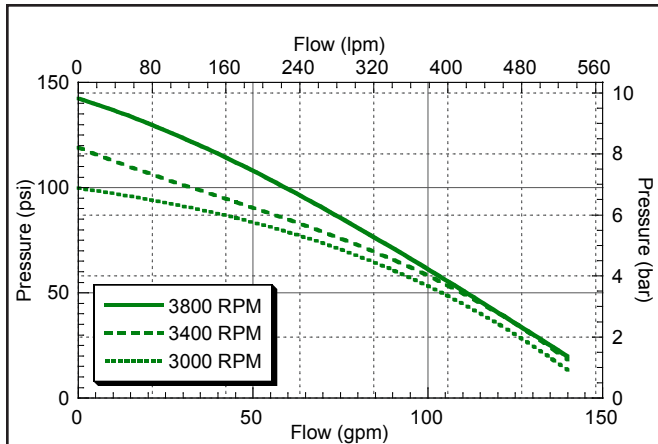


## GE-800

- Suction 2" Discharge 1-1/2"
- Maximum Pressure 140 PSI and Maximum Flow 140 GPM
- Impeller attaches directly to 1"-14 NF threaded shaft on Honda or Briggs & Stratton engine 8 to 10 HP
- Stainless Steel Shaft Sleeve with double "O" ring leak protection
- Available Complete or Less Engine:
 

GE-800-HONDA	8HP Honda
GE-800-LE	Pump less engine

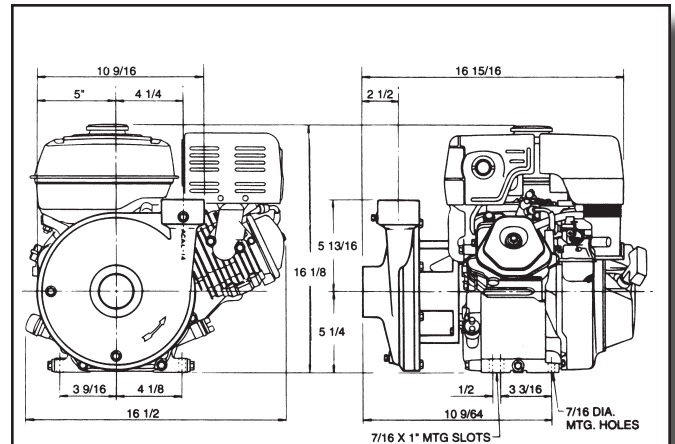
## PERFORMANCE CHART



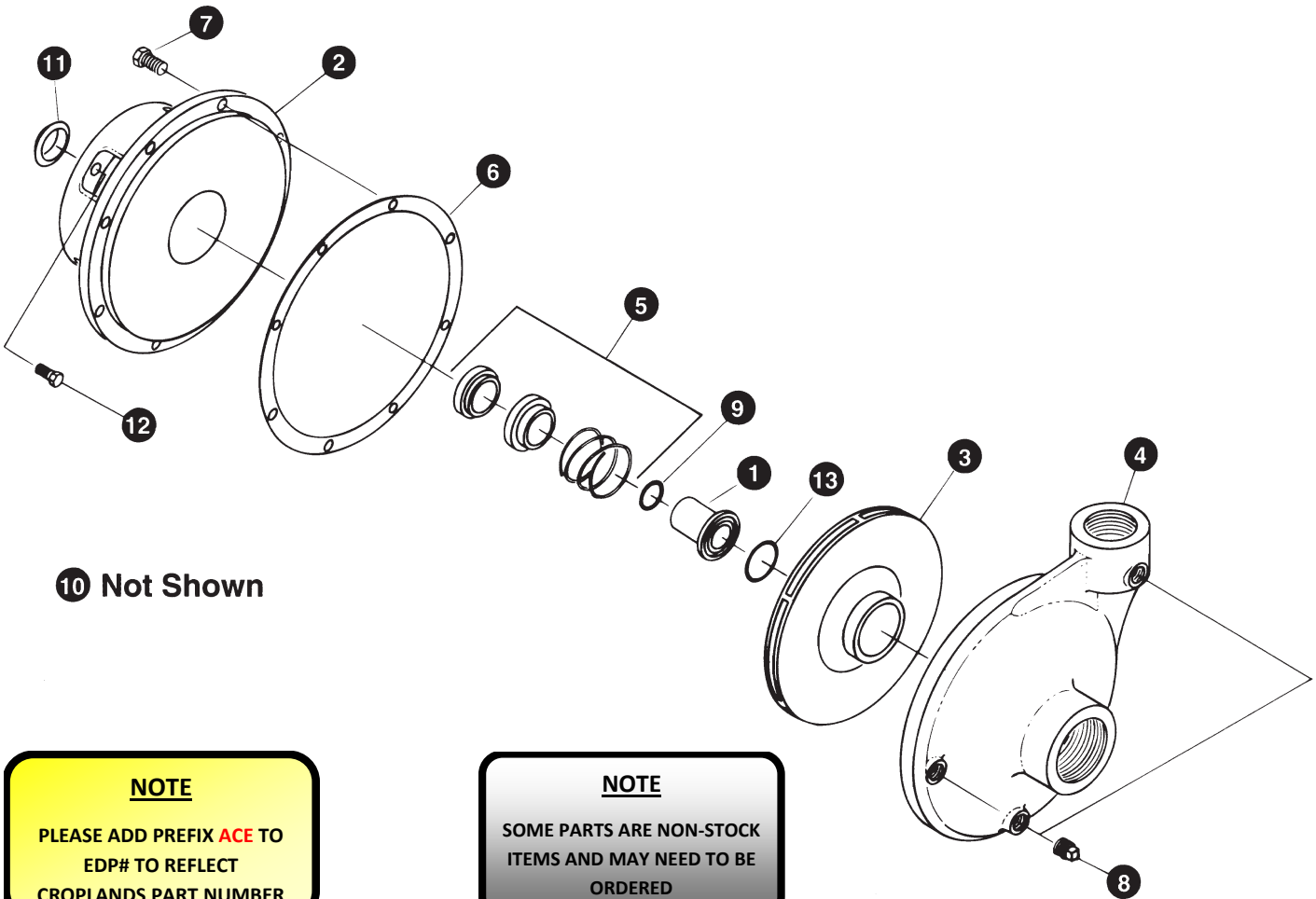
Engine shaft speed at shut-off.  
Performance data of pump equipped with 8 HP Honda.

Do not use with flammable liquids.

## DIMENSIONS



Note: Dimensions may vary depending on make and size of engine. Use only for reference.



**10 Not Shown**

**NOTE**  
PLEASE ADD PREFIX **ACE** TO  
EDP# TO REFLECT  
CROPLANDS PART NUMBER

**NOTE**  
SOME PARTS ARE NON-STOCK  
ITEMS AND MAY NEED TO BE  
ORDERED

REF. #	PART NUMBER	EDP #	DESCRIPTION	REQ.
1	ACAL-7-SS	30018	Shaft sleeve, GE-800, stainless steel	1
2	ACAL-143	30045	Bracket, cast iron	1
3	ACAL-26-TH	30047	Impeller, GE-800, cast iron	1
4	ACAL-14	30160	Volute, 2" x 1 1/2"	1
5 <sup>①</sup>	TYPE 21-1.25	30265	Seal, 1.25" Type 21 mechanical seal, Viton	1
5 <sup>②</sup>	TYPE 21-1.25-SG	30266	Seal, 1.25" Type 21, silicon graphite/Viton (optional)	1
6	ACAL-4	30009	"O" Ring gasket for ACAL-14 volute	1
6 <sup>①②</sup>	9000	31130	Gasket, 8 hole (obsolete 12/94)	1
7	BAC-39	40950	Cap screw, 3/8" NC x 3/4"	8
7	BAC-39-SS	40930	Cap screw, 3/8" NC x 3/4", stainless steel (optional)	8
8	BAC-53	41110	1/8" NPT Pipe plug	3
8	41120	41120	1/8" NPT Pipe plug, stainless steel (optional)	3
9 <sup>①②</sup>	41860	41860	"O" Ring, engine shaft	1
10	42066	42066	Gas engine, 8 HP Honda, pull start	1
11	GE-55	42221	Slinger	1
12	SP-62	42255	Cap screw, 5/16" NF x 1"	4
12A	GE-44	42200	Lock washer, 5/16" (not shown)	4
13 <sup>①②</sup>	72990	72990	"O" Ring, shaft sleeve seal	1
①	RK-GE-800/1600	61000	Repair kit for GE-800 and GE-1600	-
②	RK-GE-800/1600-SG	61005	Repair kit for GE-800 and GE-1600, silicon graphite/Viton	-