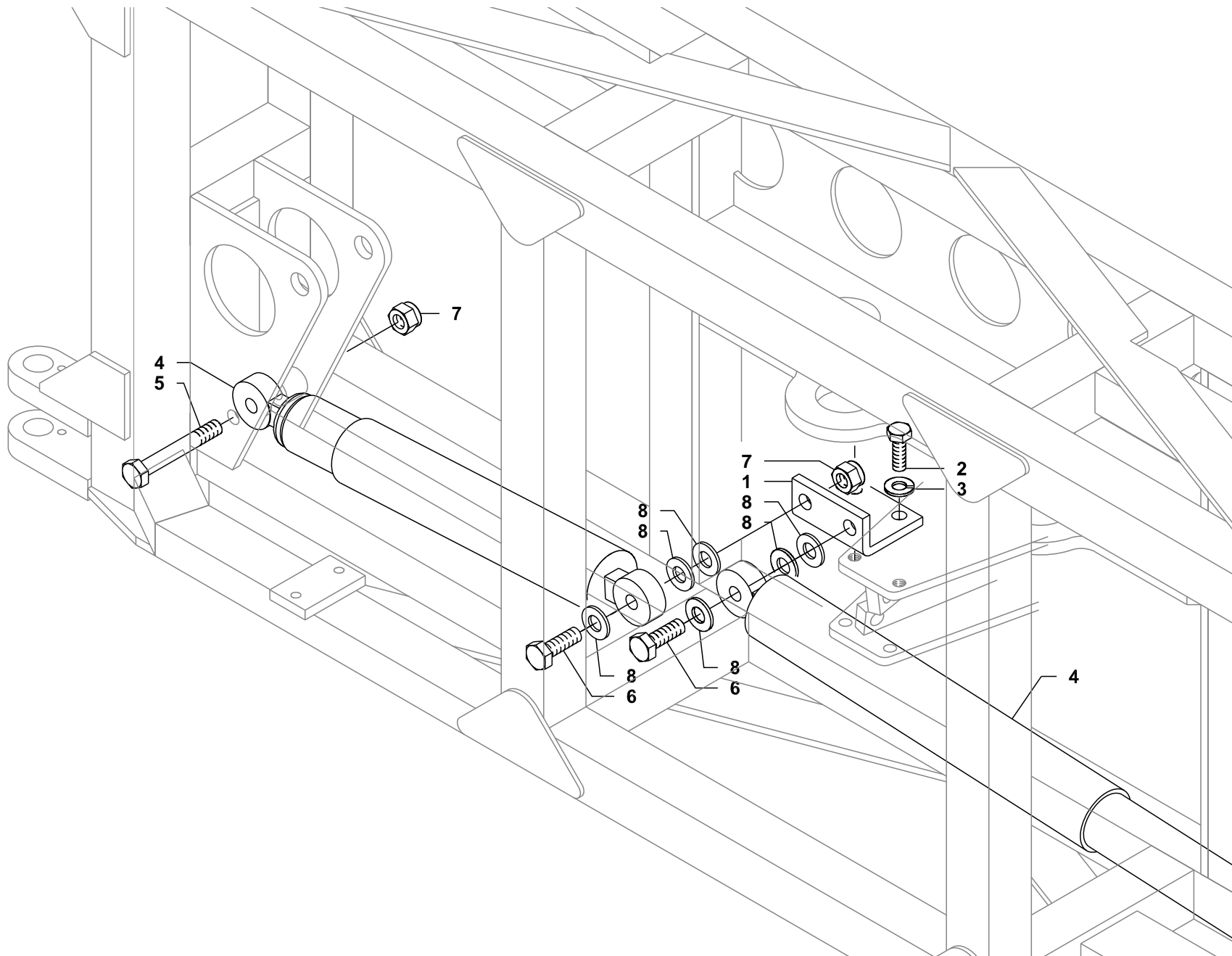
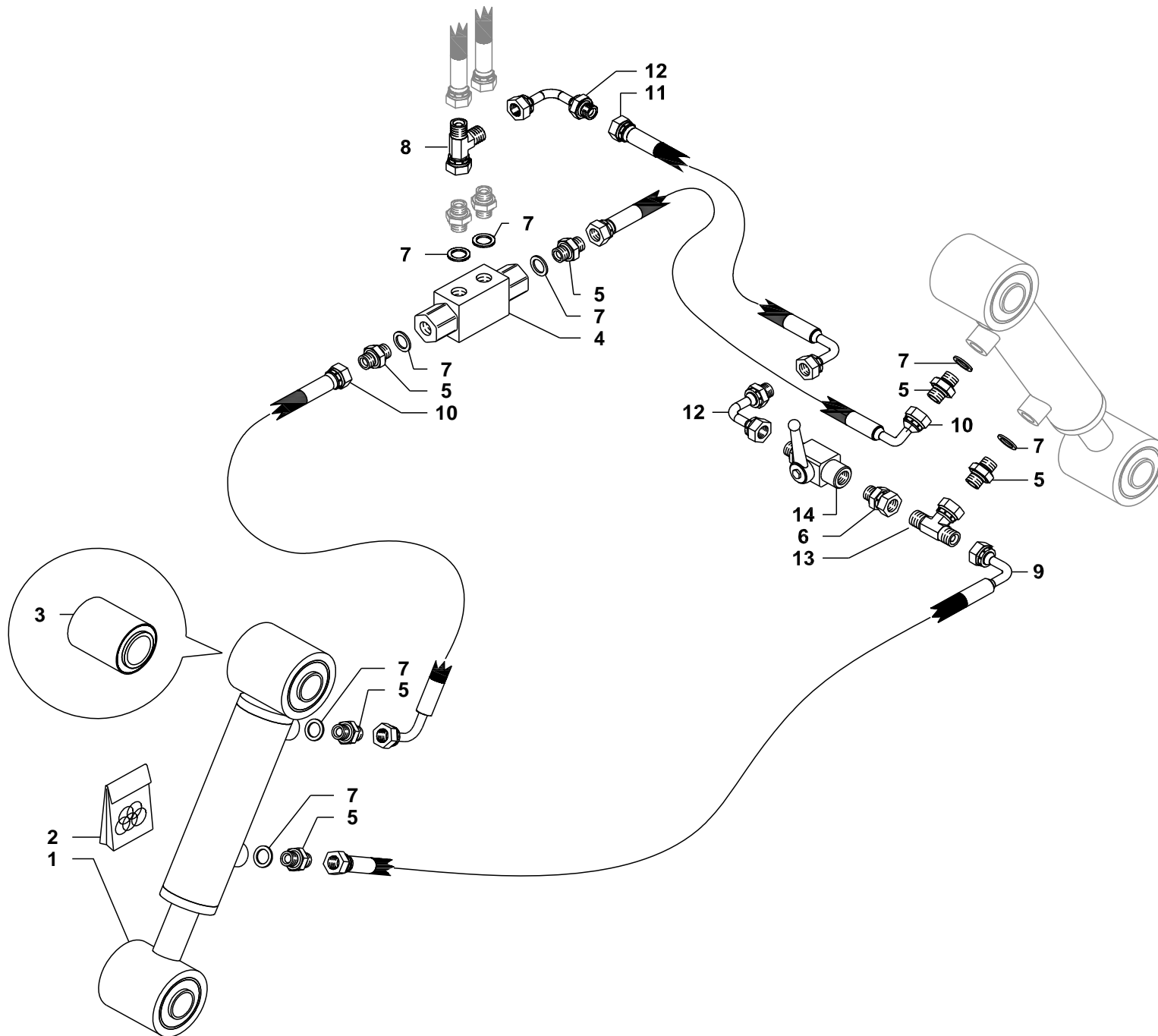


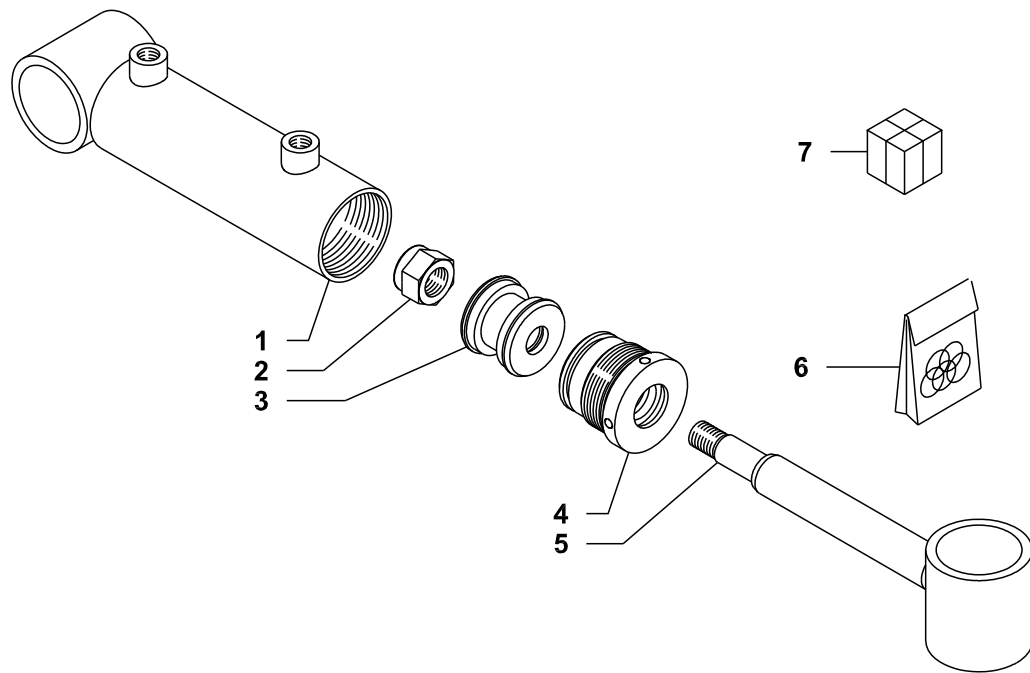
1	GG382000050V
2	GG993806001V
3	GG950300004
4	GG500400019Z
5	GG905400024
6	GG900324130Z
7	GG382000075V
8	GG382000078
9	GG900710025Z
10	BG001401
11	GG905300014
12	GG993806002Z
13	GG907014028Z
14	GG900312090Z
15	GG905300012
16	GG907012025Z
18	GG997000018
19	GG702550023V
20	GG996000179
21	GG570500011Z
22	GG905200022Z
23	GG501100007
24	GG900510035Z
25	GG907010021Z
26	GG905300010
27	BG001395
28	GG500700069
29	GG919700120
30	GG905415014
31	GG900314060Z
32	GG919800061Z
33	GG900106010Z
34	BG001396
35	GG702550031V
36	GG570500007Z
37	GG600500001
38	GG996000192
39	BG002087
40	BG004255
41	BG002074
42	GG900106025Z
43	GG905300006



1	BG001397	
2	GG900114025Z	
3	GG907200014Z	
4	GG820200110	
5	GG820200111	(36m)
5	GG900316110Z	
6	GG900316040Z	
7	GG905300016	
8	GG907017030Z	

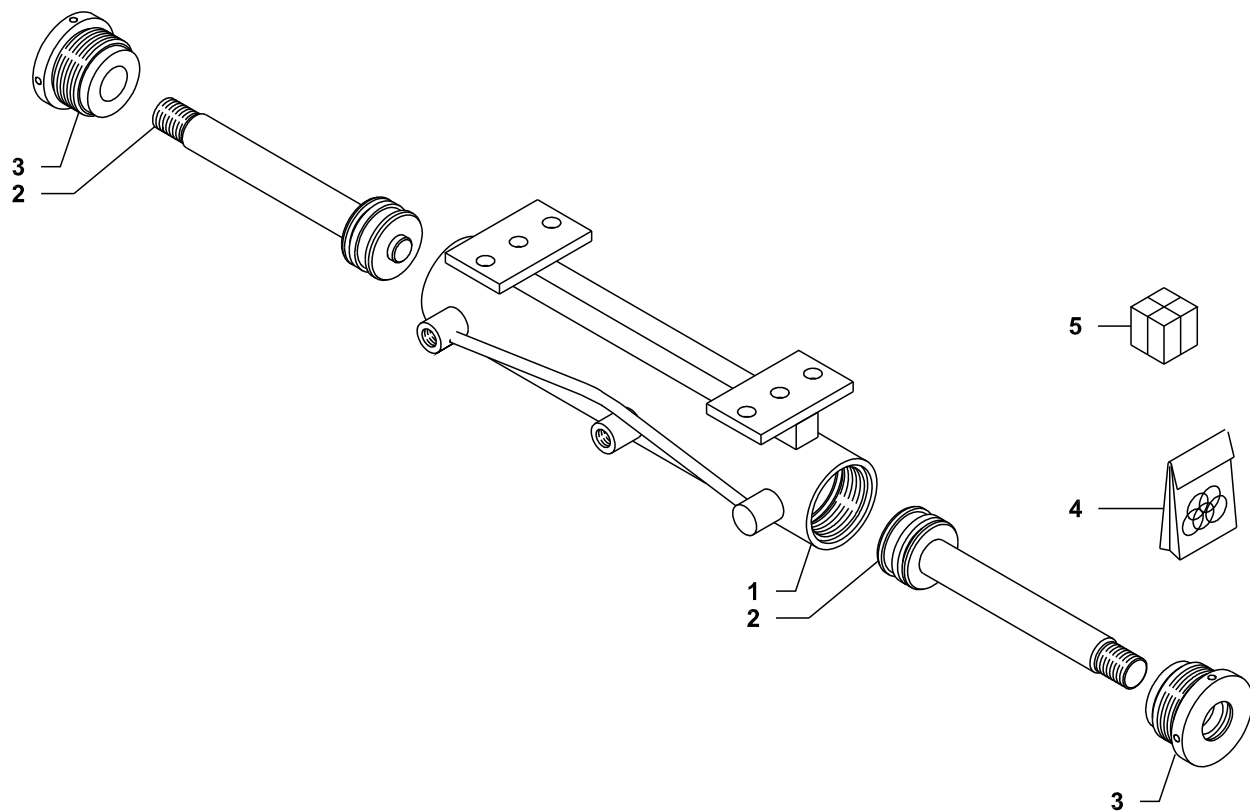


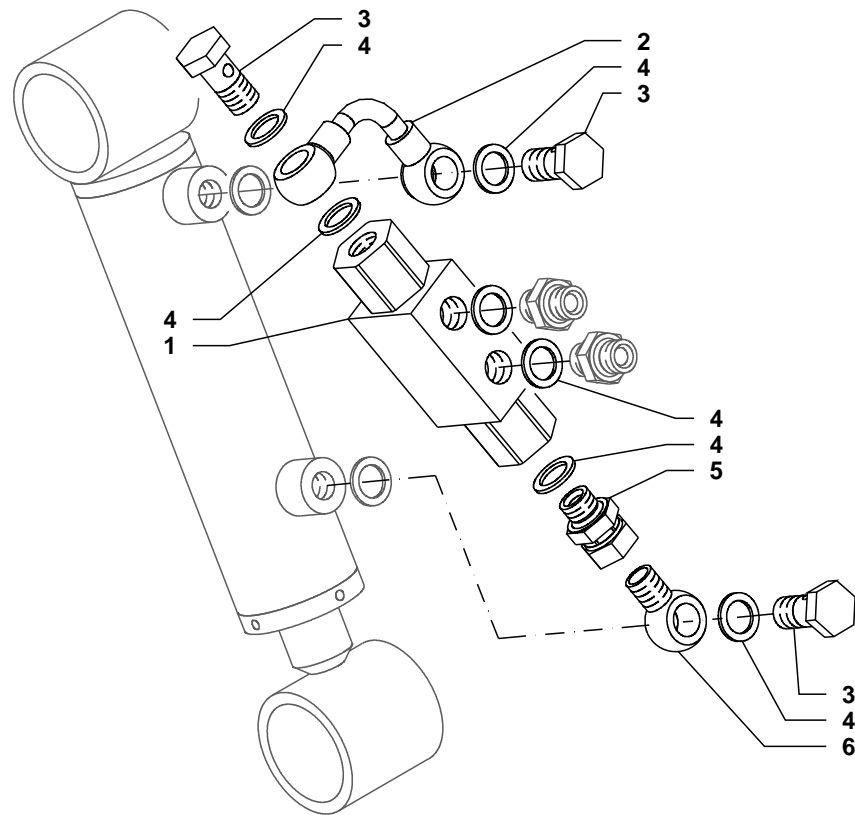
- 1 GG702550031V
- 2 GG996000192
- 3 GG950300004
- 4 GG750300001
- 5 BB50223002
- 6 BB50227003
- 7 BB50243113
- 8 BB50239151
- 9 GG767122200
- 10 GG7671121200
- 11 GG767121300
- 12 GG740000031Z
- 13 GG740000062Z
- 14 GG750300062



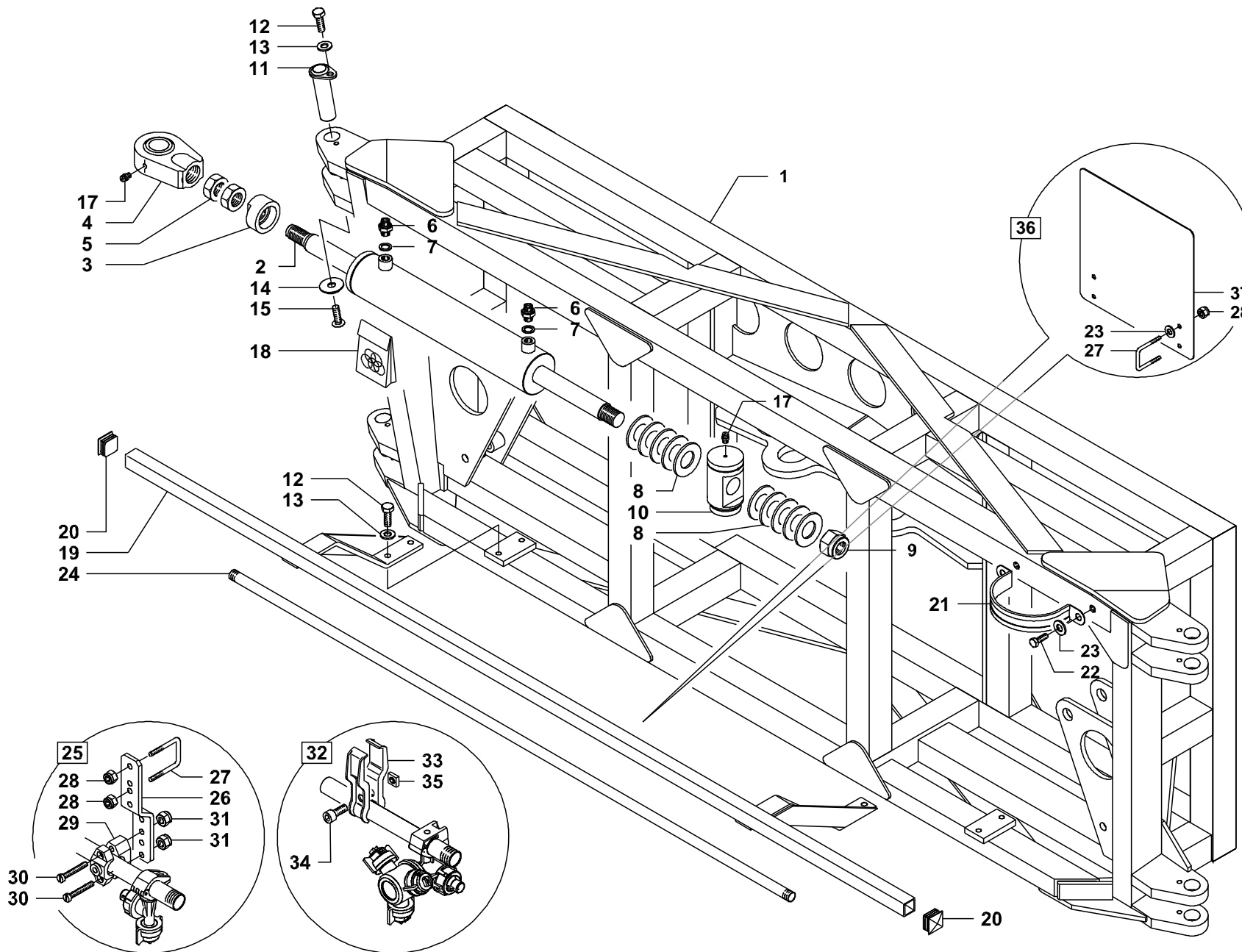
- 1 GG700050021
- 2 GG905415016
- 3 GG702550606
- 4 GG702550407
- 5 GG702500012
- 6 GG996000192
- 7 GG702550031V

- 1 GG700050024
- 2 GG702500036
- 3 GG702550435
- 4 GG996000179
- 5 GG702550023V





- | | |
|---|--------------|
| 1 | GG750300001 |
| 2 | GG750300023Z |
| 3 | GG570100031Z |
| 4 | GG600500001 |
| 5 | GG740000023Z |
| 6 | GG570100030Z |



1	BG001108	
2	GG703570018V	
3	GG500300032V	
4	BG001752	
5	GG905215028Z	
6	GG570500011Z	
7	BB50243113	
8	GG913671040	
9	GG905420030	
10	GG500100127Z	
11	BG000024	
12	GG900110025Z	
13	GG907200010Z	
14	GG500400004Z	
15	GG900710025Z	
16	GG913671040	
17	GG919800020	
18	BG000117	
19	GG201800415V	
20	GG950130030	
21	GG950200059	
22	GG900100016Z	
23	GG907106018Z	
24	GG550401500	
24	GG550501500	4 fori/holes 5 fori/holes
25	GG999900100	
26	GG201800418V	
27	GG500500004Z	
28	GG905300006	
29	GGA00425130	
30	GG904506040X	
31	GG905400006X	
32	GG999900004Z	
33	GG500600002Z	
34	GG900508022Z	
35	GG906000008Z	
36	GG999900467	
37	GG201800065V	

BDL PLUS G/VAR 30 - 33,5 m