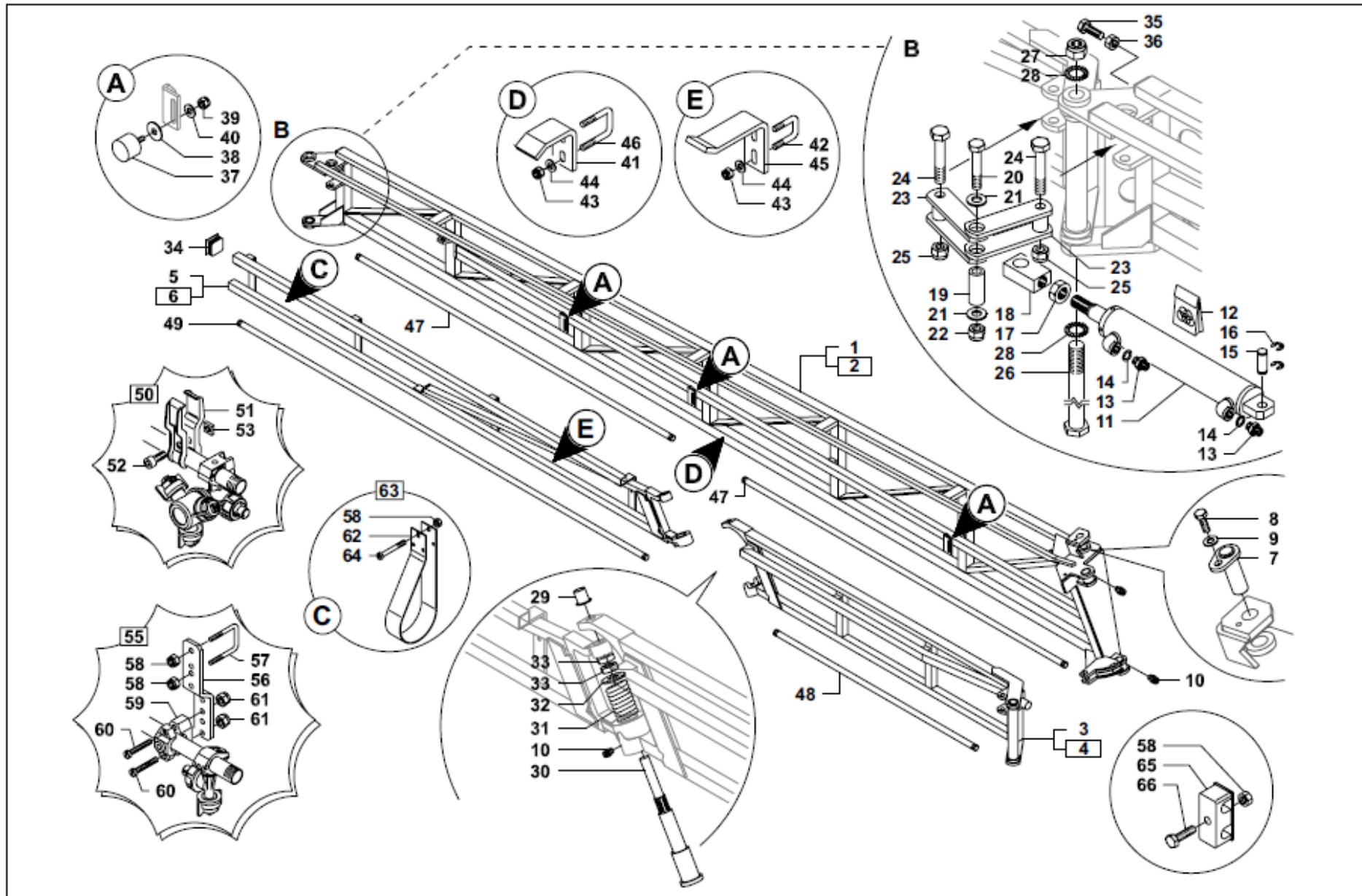


CROPLANDS PART NUMBERS: GBNEWE215-LH – Boom Arm 21.5m LH Standard



| Pos | Part No | Description | Qty |
|-----|---------------------|----------------------|-----|
| 1 | GB202000420V | FIRST ARM RH | 1 |
| 2 | GB202000421V | FIRST ARM LH | 1 |
| 3 | GB202000450V | SECOND ARM RH | 1 |
| 4 | GB202000451V | SECOND ARM LH | 1 |
| 5 | GB201600470V | BREAKAWAY ARM RH | 1 |
| 6 | GB201600471V | BREAKAWAY ARM LH | 1 |
| 7 | GB500100055V | PIN | 2 |
| 8 | GB900110025Z | SCREW | 2 |
| 9 | GB907200010Z | WASHER | 2 |
| 10 | <i>GB919800020</i> | <i>GREASE NIPPLE</i> | 4 |
| 11 | GB702545001V | CYLINDER | 2 |
| 12 | GB996000176 | SEAL KIT | 2 |
| 13 | GB570500006Z | NIPPLE 1/4"BSP 0.6MM | 4 |
| 14 | GB600500001 | COPPER WASHER | 4 |
| 15 | GB500100010Z | PIN | 2 |
| 16 | <i>GB919800021X</i> | <i>CIRCLIP</i> | 4 |
| 17 | GB905200020Z | LOCKING NUT | 2 |
| 18 | GB201200060Z | CYLINDER ROD BLOCK | 2 |
| 19 | GB500100062 | SPACER | 2 |
| 20 | GB900314080Z | BOLT | 2 |
| 21 | GB907014028Z | BUSH | 4 |
| 22 | GB905400014 | NUT NYLOCK | 2 |
| 23 | GB201800050V | LINK ROD | 2 |
| 24 | GB500500014Z | BOLT | 4 |
| 25 | GB905400016 | LOCKING NUT 16MM | 4 |
| 26 | GB500100065Z | SHAFT BOLT | 2 |
| 27 | GB905400024 | NYLOC NUT 24MM | 2 |
| 28 | GB907302025Z | WASHER | 4 |
| 29 | GB500200049 | BUSH | 2 |
| 30 | GB500100111Z | BREAKAWAY SHAFT | 2 |
| 31 | GB919900023Z | BREAKAWAY SPRING | 2 |
| 32 | GB500400019Z | WASHER | 2 |
| 33 | GB905200024Z | NUT 24MM | 4 |
| 34 | GB950130030 | BOOM END CAP | 2 |
| 35 | GB900116050Z | BOLT | 2 |
| 36 | <i>GB905100016Z</i> | <i>NUT</i> | 2 |
| 37 | GB950200001 | BOOM STOP 30MM | 2 |
| 37 | GB950200004 | BOOM STOP 20MM | 4 |

| Pos | Part No | Description | Qty |
|-----|---------------------|--------------------------|-----|
| 38 | <i>GB907110040Z</i> | <i>WASHER</i> | 6 |
| 39 | <i>GB905400008</i> | <i>NUT</i> | 6 |
| 40 | GB907108024Z | WASHER | 6 |
| 41 | <i>GB202100101V</i> | <i>BOOM GUIDE BOTTOM</i> | 2 |
| 42 | <i>GB500500003Z</i> | <i>U-BOLT SMALL</i> | 2 |
| 43 | <i>GB905400010</i> | <i>NUT</i> | 4 |
| 44 | <i>GB907010021Z</i> | <i>WASHER</i> | 4 |
| 45 | <i>GB202100102V</i> | <i>BOOM GUIDE TOP</i> | 2 |
| 46 | <i>GB500500001Z</i> | <i>U-BOLT LARGE</i> | 2 |
| 47 | GB550500500 | SPRAY RAIL 5 HOLES | 4 |
| 48 | GB550400500 | SPRAY RAIL 3 HOLES | 2 |
| 49 | GB550500500 | SPRAY RAIL 5 HOLES | 2 |
| 50 | N/A | | |
| 51 | N/A | | |
| 52 | N/A | | |
| 53 | N/A | | |
| 55 | GB999900100 | BOOM TUBE KIT | 18 |
| 56 | <i>GB201800418V</i> | <i>BOOM TUBE BRACKET</i> | 18 |
| 57 | <i>GB500500004Z</i> | <i>U-BOLT</i> | 18 |
| 58 | <i>GB905300006</i> | <i>NUT M6</i> | 16 |
| 59 | A425130 | BOOM CLAMP | 18 |
| 60 | <i>GB904506040X</i> | <i>SCREW M45x6</i> | 36 |
| 61 | <i>GB905400006X</i> | <i>NUT M6</i> | 36 |
| 62 | N/A | | |
| 63 | N/A | | |
| 64 | N/A | | |
| 65 | UP-420 | HYD HOSE CLAMP | 10 |
| 66 | <i>GB900106030Z</i> | <i>BOLT M6x45</i> | 10 |

NOTE

Parts in italics are non-stock items and may need to be ordered.