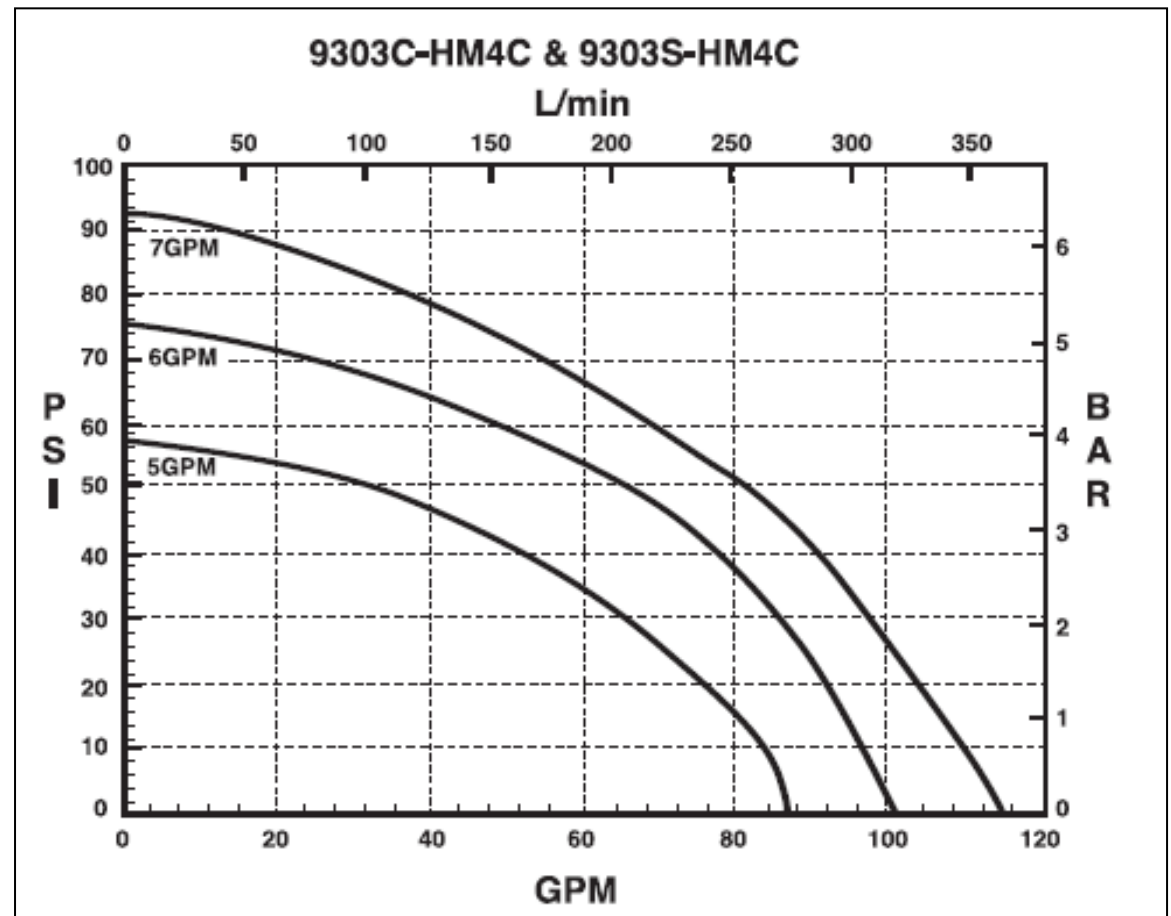


CROPLANDS PART NUMBERS: H9303C-HM4C – HYDRAULIC CENTRIFUGAL PUMP 350LPM MAX



**SERIES 9303C & 9303S
Cast Iron & Stainless Steel
Centrifugal Pumps**

Max. Flow Rate:147 gpm
Max. Pressure:145 psi
Ports:1-1/2" NPT Inlet
1-1/4" NPT Outlet
Hydraulic Ports:1/2" NPT Inlet
1/2" NPT Tank



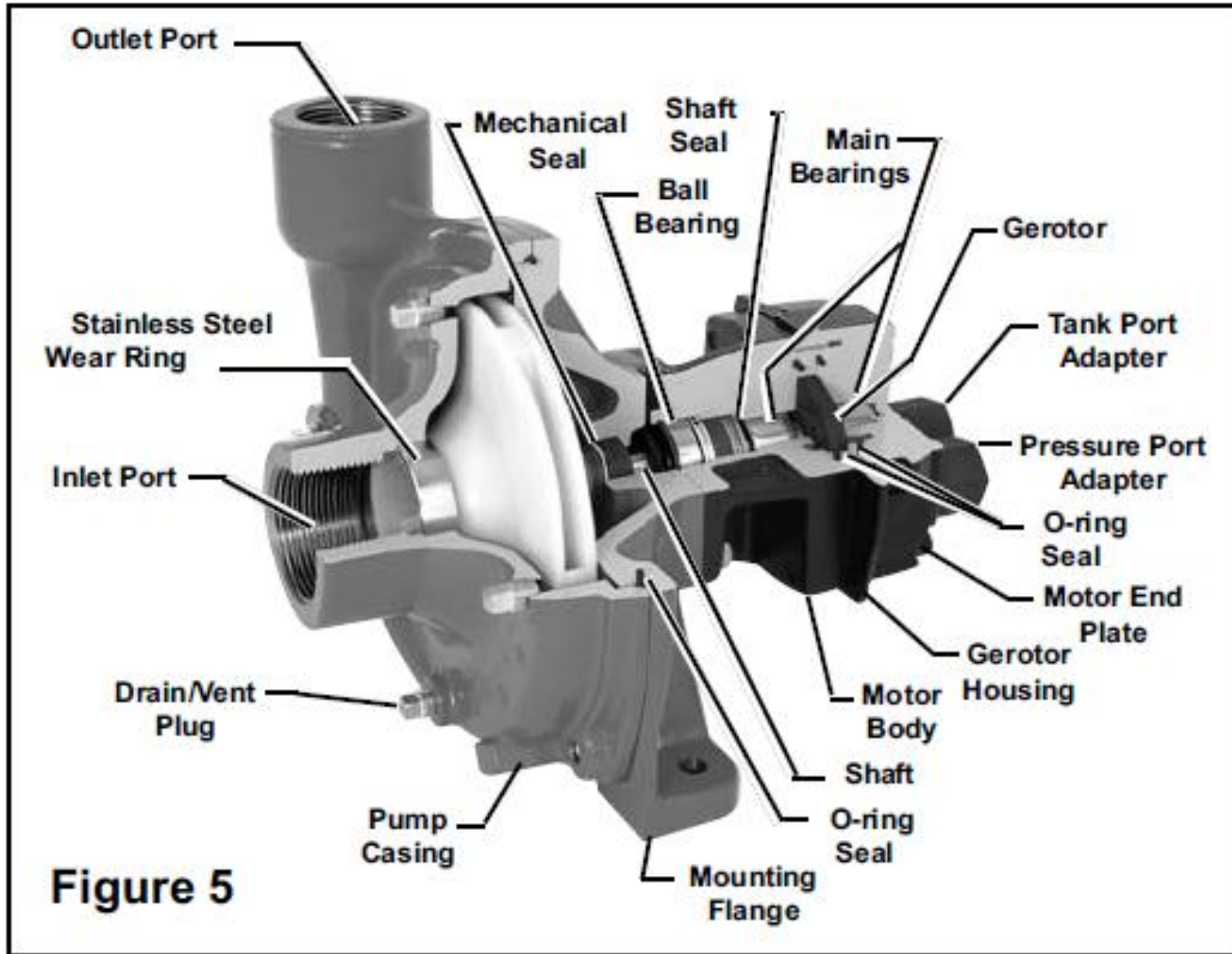
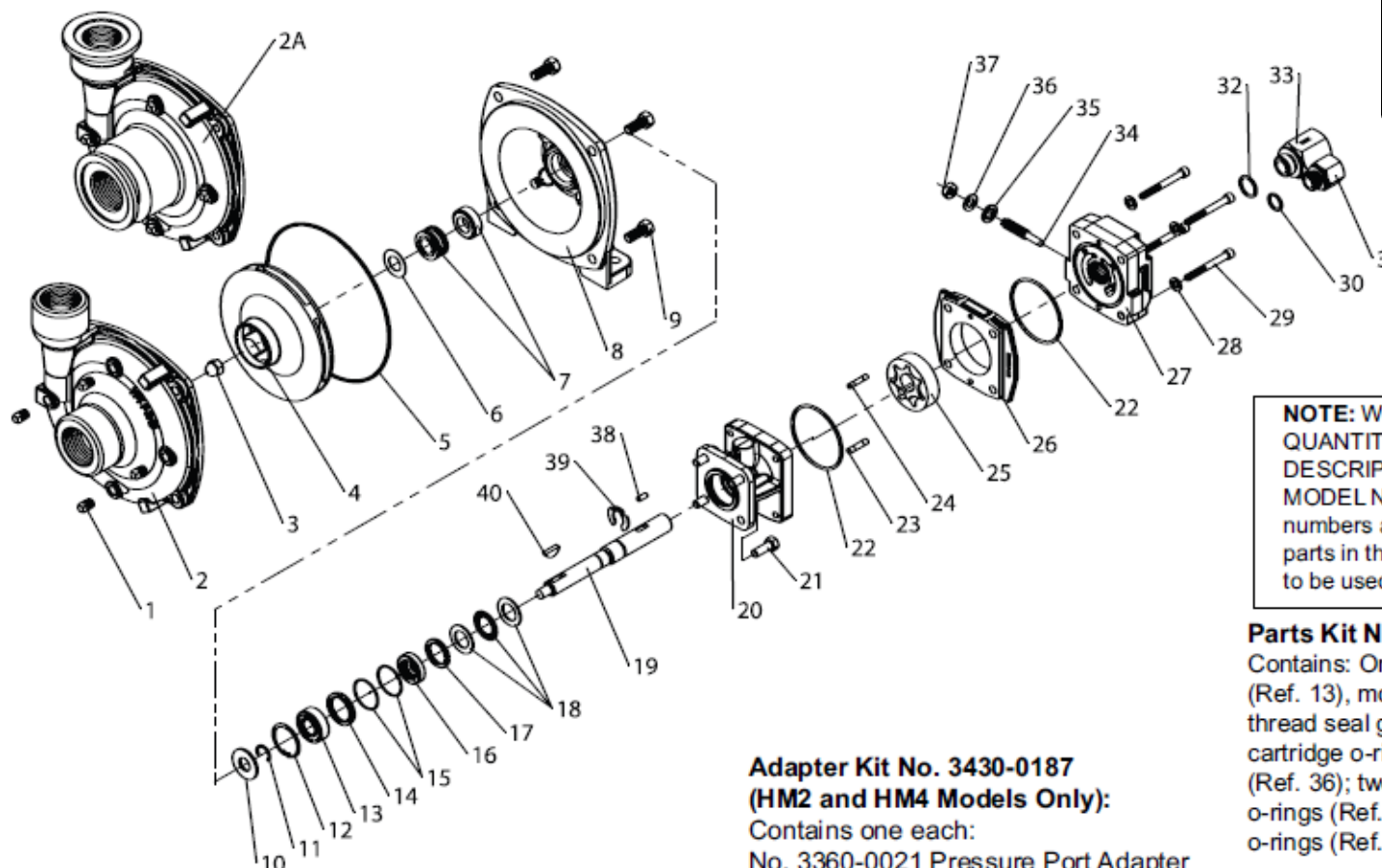


Figure 5

All 9303C and 9303S Series Pumps



NOTE
SOME PARTS ARE NON-STOCK
ITEMS AND MAY NEED TO BE
ORDERED

NOTE: When ordering parts, give QUANTITY, PART NUMBER, DESCRIPTION, and COMPLETE MODEL NUMBER. Reference numbers are used ONLY to identify parts in the drawing and are NOT to be used as order numbers.

Repair Parts Kit No. 3430-0332

Contains: One o-ring (Ref. 5), one rubber gasket (Ref. 6), and one mechanical seal (Ref. 7).

Silicon Seal Kit No. 3430-0589

Contains one each: 1720-0083 o-ring (Ref. 5) and one mechanical seal (silicon carbide) (Ref.7).

Adapter Kit No. 3430-0187 (HM2 and HM4 Models Only):

Contains one each:
No. 3360-0021 Pressure Port Adapter
No. 3373-0020 (Size #1)
No. 3373-0021 (Size #2)
No. 3373-0022 (Size #3).
No. 1720-0108 Adapter O-ring and
No. 1720-0105 Orifice O-ring (Qty 3).

Parts Kit No. 3430-0748

Contains: One each ball bearing (Ref. 13), motor shaft seal (Ref. 16), thread seal gasket (Ref. 35), two cartridge o-rings (Ref. 15) and washer (Ref. 36); two each motor housing o-rings (Ref. 22), and port adapter o-rings (Ref. 30 & 32).

Hydraulic Motor Part Nos.

2500-0081C (HM1C Models)
2500-0082C (HM2C Models)
2500-0083C (HM3C Models)
2500-0084C (HM4C Models)
2500-0085C (HM5C Models)

| Ref. No. | Qty. Req'd. | Part No. | Description |
|----------|-------------|------------|---|
| 1 | 4 | 2406-0007 | Drain/Vent Plug (9303C) |
| 1 | 4 | 2406-0016 | Drain/Vent Plug (9303S) |
| 2 | 1 | 0150-9000C | Pump Casing (Model 9303C) |
| 2 | 1 | 0150-9000S | Pump Casing (Model 9303S) |
| 2A | 1 | 0153-9000C | Pump Casing (Universal Flange Model C-U) |
| 3 | 1 | 2253-0002 | Impeller Nut (9303C) |
| 3 | 1 | 2253-0006 | Impeller Nut (9303S) |
| 4 | 1 | 0401-9100P | Impeller (Nylon Std. 9303C) |
| 4 | 1 | 0402-9100P | Impeller (Polypropylene Optional) (Std 9303S) |
| 5 | 1 | 1720-0083 | O-ring |
| 6 | 1 | 1700-0100 | Gasket |
| 7 | 1 | 2120-0009 | Mechanical Seal (Viton/Ceramic) (Std 9303C) |
| 7 | 1 | 3430-0589 | Mechanical Seal (Silicon Carbide) (Std 9303S) |
| 8 | 1 | 0750-9300C | Mounting Flange (9303C) |
| 8 | 1 | 0756-9300S | Mounting Flange (9303S) |
| 9 | 4 | 2210-0020 | Hex Head Cap Screw (9303C) |
| 9 | 4 | 2210-0125 | Hex Head Cap Screw (9303S) |
| 10 | 1 | 1410-0056 | Slinger Ring |
| 11 | 1 | 1810-0014 | Snap Ring |
| 12 | 1 | 1820-0013 | Retaining Ring |
| 13 | 1 | 2000-0010 | Ball Bearing |
| 14 | 1 | 1410-0131 | Cartridge, Front |
| 15 | 2 | 1720-0268 | O-ring |
| 16 | 1 | 2104-0010 | Lip Seal |
| 17 | 1 | 1410-0130 | Seal Spacer |
| 18 | 1 | 2029-0014 | Thrust Bearing Assembly |
| 19 | 1 | 0531-2500 | Shaft (HM2C/HM4C) |
| 19 | 1 | 0533-2500 | Shaft (HM1C/HM5C) |
| 19 | 1 | 0536-2500 | Shaft (HM3C) |
| 20 | 1 | 0150-2500C | Motor Body (includes needle bearing) |
| 21 | 4 | 2210-0005 | Hex Head Cap Screw |
| 22 | 2 | 1720-0110 | O-ring |
| 23 | 1 | 1600-0045 | Dowel Pin (HM2C / HM4C) |
| 23 | 1 | 1600-0044 | Dowel Pin (HM1C/HM5C) |
| 23 | 1 | 1600-0052 | Dowel Pin (HM3C) |

| Ref. No. | Qty. Req'd. | Part No. | Description |
|----------|-------------|-------------|---|
| 24 | 1 | 1600-0042 | Dowel Pin (HM2C / HM4C) |
| 24 | 1 | 1600-0037 | Dowel Pin (HM1C/HM5C) |
| 24 | 1 | 1600-0068 | Dowel Pin (HM3C) |
| 25 | 1 | 3900-0022 | Gerotor (HM1C) |
| 25 | 1 | 3900-0023 | Gerotor (HM2C) |
| 25 | 1 | 3900-0024 | Gerotor (HM3C) |
| 25 | 1 | 3900-0025 | Gerotor (HM4C) |
| 25 | 1 | 3900-0048 | Gerotor (HM5C) |
| 26 | 1 | 0701-2500C1 | Gerotor Housing (HM2C Models) 1/4" wide |
| 26 | 1 | 0700-2500C1 | Gerotor Housing (HM1C Models) 1/2" wide |
| 26 | 1 | 0703-2500C1 | Gerotor Housing (HM4C Models) 5/16" wide |
| 26 | 1 | 0702-2500C1 | Gerotor Housing (HM3C Models) 1" wide |
| 26 | 1 | 0704-2500C1 | Gerotor Housing (HM5C Models) 5/8" wide |
| 27 | 1 | 0254-2500C2 | Motor End Plate (includes needle bearing) |
| 28 | 4 | 2270-0039 | Washer |
| 29 | 4 | 2220-0045 | Cap Screw (HM2C / HM4C Models) |
| 29 | 4 | 2220-0021 | Cap Screw (HM1C Models) |
| 29 | 4 | 2220-0044 | Cap Screw (HM3C Models) |
| 29 | 4 | 2220-0032 | Cap Screw (HM5C Models) |
| 30 | 1 | 1720-0108 | O-ring |
| 31 | 1 | 3360-0021A | Pressure Port Adapter (includes o-ring) |
| 32 | 1 | 1720-0262 | O-ring |
| 33 | 1 | 3320-0051A | Tank Port Adapter (includes o-ring) |
| 34 | 1 | 3220-0029 | Bypass Adjusting Screw |
| 35 | 1 | 1700-0047 | Gasket |
| 36 | 1 | 2270-0027 | Washer |
| 37 | 1 | 2250-0038 | Lock Nut |
| 38 | 1 | 1610-0032 | Roll Pin (HM2C / HM4C) |
| 38 | 1 | 1610-0031 | Roll Pin (HM1C / HM5C) |
| 38 | 1 | 1610-0055 | Roll Pin (HM3C) |
| 39 | 1 | 1810-0026 | Snap Ring |
| 40 | 1 | 1610-0012 | Woodruff Key (9303C) |
| 40 | 1 | 04432 | Woodruff Key (9303S) |

NOTE

PLEASE ADD PREFIX **H** TO PART NUMBER TO REFLECT CROPLANDS PART NUMBER