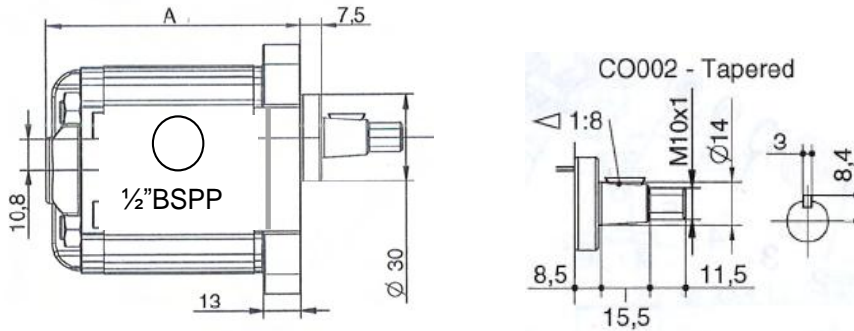


CROPLANDS PART NUMBERS:

- HP-219M6.5CB HYD MOTOR 6.5CC SIDE PORT – MOTOR ONLY**



DIMENSION "A" - 6.5cc = 98.5mm

ASSOCIATED PARTS	DESCRIPTION	QTY per MOTOR	NOTES
HP-219-13-1A	SHAFT SEAL 24x14x7 6BAR	1 *(also included in seal kit)	
HP-219-13A	SEAL KIT 6.5 & 9.8cc MOTOR	1	
HP-219-1A1	COUPLING HALF GROUP 1.5 TAPER	1 (or FISEM09)	SPIDER TYPE
HP-219-1C	COUPLING INSERT CH48 (rubber)	1	
HP-219-24	ENGINE SEMI-COUPLING	1 (or HP-219-1A1)	MULTI SPLINE TYPE
HP-219-1D1	WOODRUFF KEY 3/12.5/5mm	1	
*HP-044	NIPPLE 1/2" BSPPM x 3/4" JICM	2	*ONLY SUPPLY IF REPLACEMENT FOR REAR PORT MOTOR
*HP-045	ELBOW 1/4" BSPPM x 7/16" JICM	1	*ONLY SUPPLY IF REPLACEMENT FOR REAR PORT MOTOR