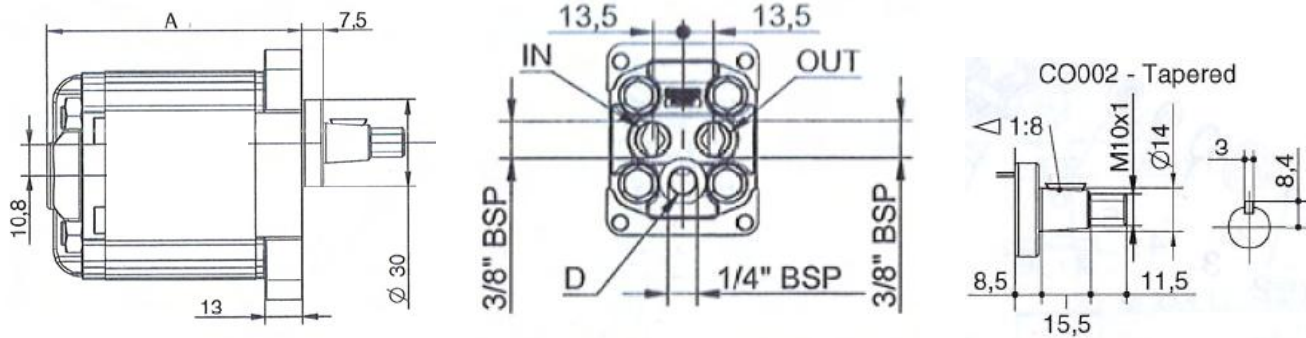


CROPLANDS PART NUMBERS:

- **HP-219M9.8CE** **HYD MOTOR 9.8CC REAR PORT – MOTOR ONLY**



DIMENSION "A" - 9.8cc = 112.5mm

| ASSOCIATED PARTS | DESCRIPTION | QTY per MOTOR | NOTES |
|------------------|-------------------------------|--------------------------------|---|
| HP-219-13-1A | SHAFT SEAL 24x14x7 6BAR | 1 *(also included in seal kit) | |
| HP-219-13A | SEAL KIT 6.5 & 9.8cc MOTOR | 1 | |
| **HP-219-1A1 | COUPLING HALF GROUP 1.5 TAPER | 1 (** or FISEM09) | SPIDER TYPE |
| HP-219-1C | COUPLING INSERT CH48 (rubber) | 1 | |
| **HP-219-24 | ENGINE SEMI-COUPLING | 1 (** or HP-219-1A1) | MULTI SPLINE TYPE |
| HP-219-1D1 | WOODRUFF KEY 3/12.5/5mm | 1 | |
| *HP-040 | NIPPLE 3/8"BSPPM x 3/4"JICM | 2 | *ONLY SUPPLY IF REPLACEMENT FOR SIDE PORT MOTOR |
| *HP-041 | NIPPLE 1/4"BSPPM x 7/16"JICM | 1 | *ONLY SUPPLY IF REPLACEMENT FOR SIDE PORT MOTOR |
| *HP-042 | ELBOW 3/4"JICM x 3/4"JICFM | 2 | *ONLY SUPPLY IF REPLACEMENT FOR SIDE PORT MOTOR |
| *HP-043 | ELBOW 7/16"JICM x 7/16"JICFM | 1 | *ONLY SUPPLY IF REPLACEMENT FOR SIDE PORT MOTOR |