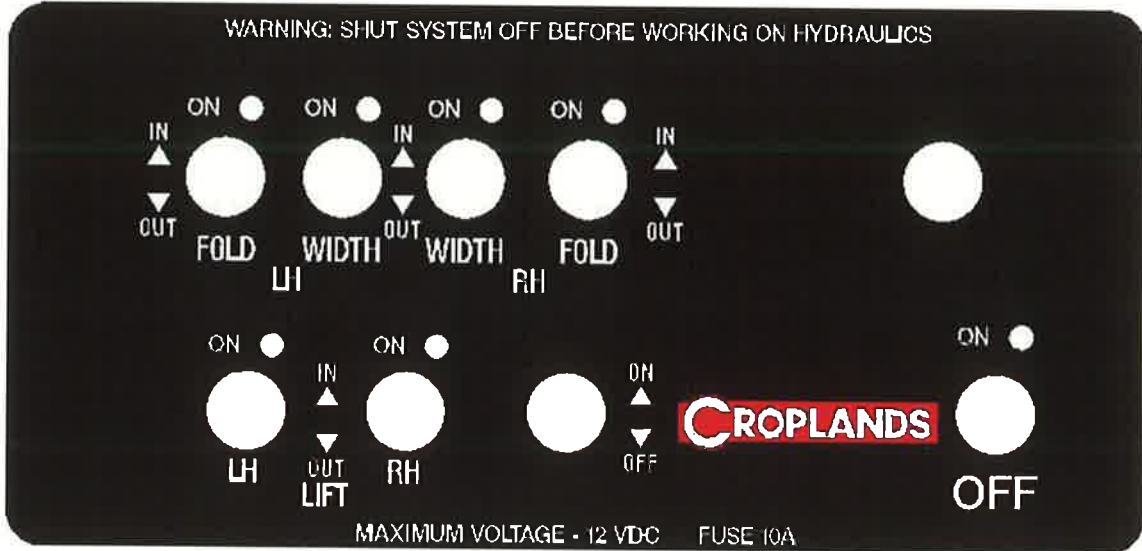


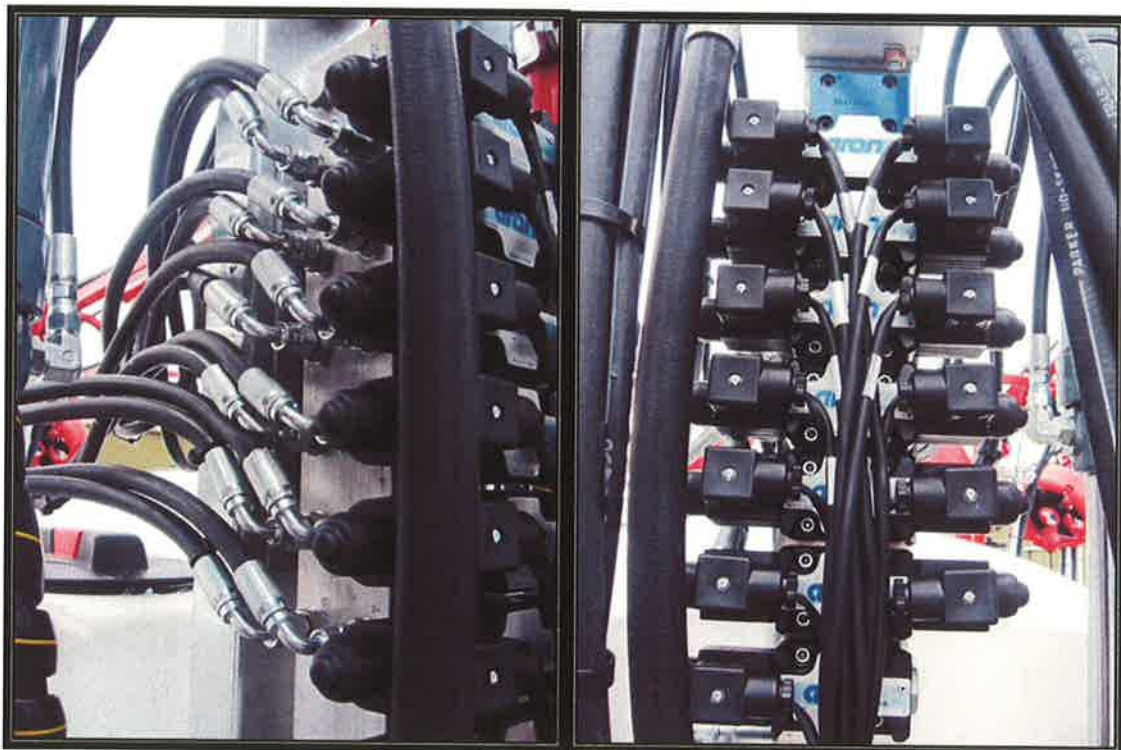
CROPLANDS

Terracing Hydraulic Plumbing/Electrics

Face Plate for Hydraulic Controls on Quantum Mist Terracing Units



Hydraulic and Electrical Information



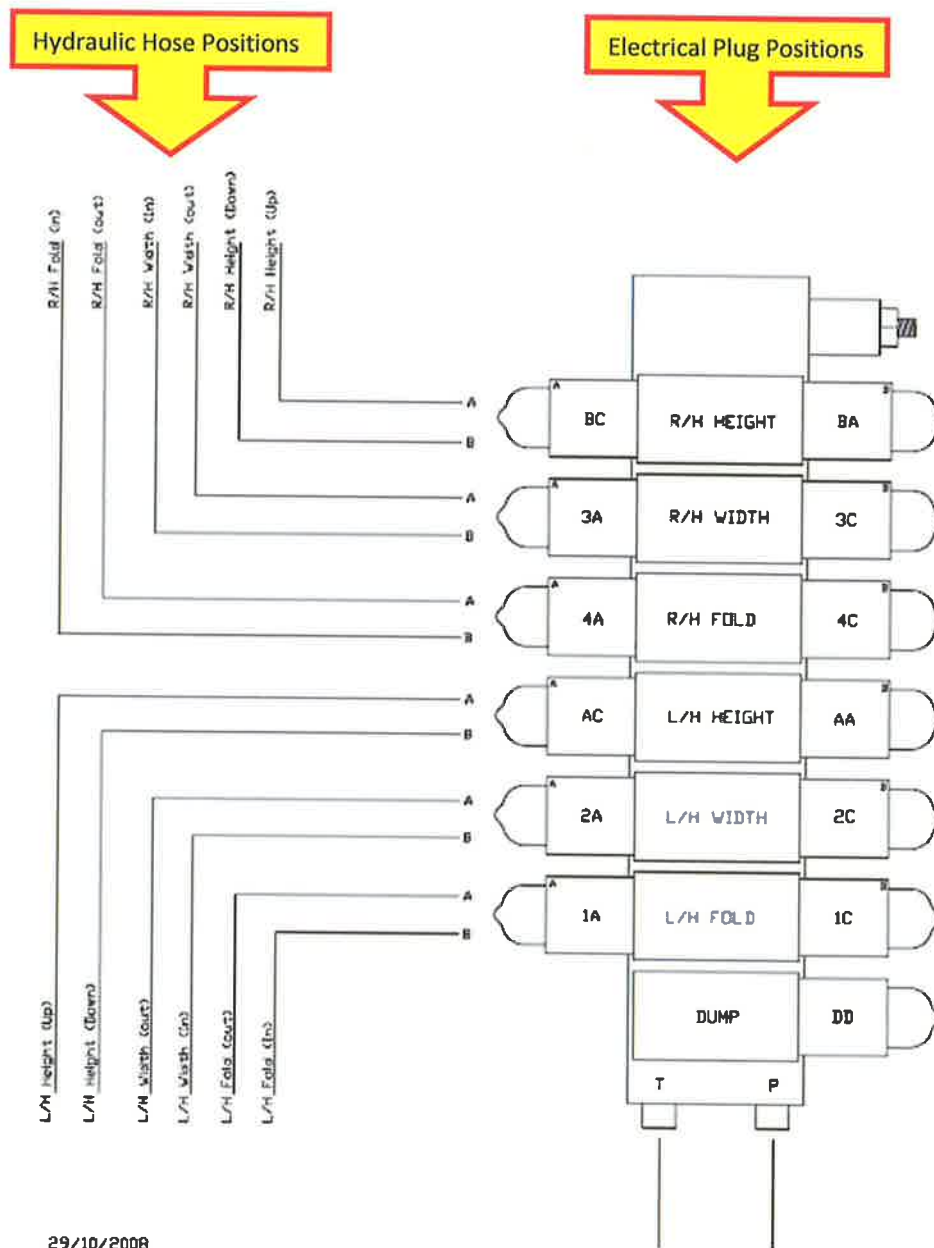
CROPLANDS

Terracing Hydraulics: Pin outs information

Pin	Designation	Plug	Colour	Valve pos (Top = 1)
1	L/H LIFT UP	AC	BLU/BLK	4A
2	L/H LIFT DOWN	AA	GRN	4B
3	N/A	CA	GRN/YEL	
4	N/A	CC	GRN/BLU	
5	R/H LIFT UP	BC	RED/YEL	1A
6	R/H LIFT DOWN	BA	RED/BLK	1B
7	L/H FOLD IN	1C	WHT	6B
8	L/H FOLD OUT	1A	WHT/BLU	6A
9	L/H WIDTH ADJ IN	2C	PNK/BLU	5B
10	L/H WIDTH ADJ OUT	2A	BLK/PUR	5A
11	R/H WIDTH ADJ IN	3C	GRY	2B
12	R/H WIDTH ADJ OUT	3A	RED/WHT	2A
13	R/H FOLD IN	4C	BLK/WHT	3B
14	R/H FOLD OUT	4A	BLU/RED	3A
15	N/A	N/A	RED	
16	N/A	N/A	PINK	
17	N/A	N/A	GRY/BLK	
18	N/A	N/A	LT BLU	
19	DUMP VALVE	DD	BLK	DUMP (SINGLE)
20	N/A	N/A		
21	N/A	N/A		
22	N/A	R -DX	BLK/YEL	
23	N/A	R -SX	GRN/BLK	
24	N/A	12V	BLU	

CROPLANDS

Terracing Unit: Plumbing and Electrical schematic



29/10/2008