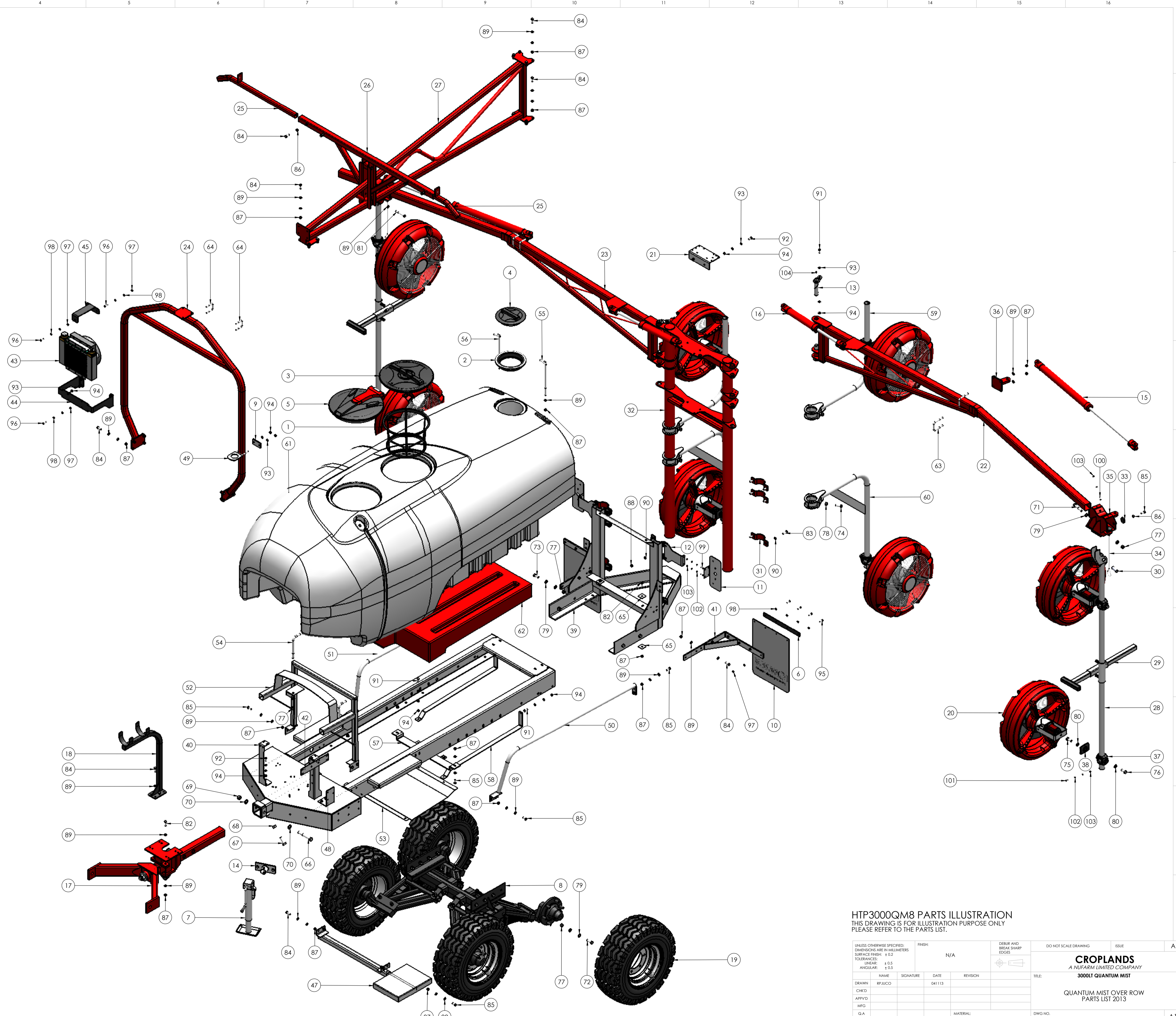


ITEM NO.	PART NUMBER	DESCRIPTION	QTY.
1	A300130	FILTER BASKET LARGE 254MM DEEP	1
2	A350620	LID RING WITH GASKET	1
3	A3510060	LID/RING KIT 455MM	1
4	A3522120	LID ONLY 255MM CLOSED	1
5	A356060	LID HINGED 180 DEGREE 455MM	1
6	BP-180	MUDFLAP PLATE	2
7	BP-184A	JOCKEY STAND SHORT PINTO	1
8	BP-400JLA	SUSPENSION TANDEM 3000LT ANDYS	1
9	BP-541	PLATE FOR 50MM U-BOLT	1
10	BP-542	MUDFLAP WHITE	2
11	BP-635	MOUNT PLATE TAIL LIGHT	2
12	BP-635-1	TAIL LIGHT EXTENSION BRACKET	2
13	BP-700-9AA	PIN 30MM X 1 155MM HAYLITE	4
14	HP-006	SPIGOT PLATE JACK STAND	1
15	HP-014	HYDRAULIC CYLINDER 2 X 24	2
16	HP-016	HYDRAULIC CYLINDER 2.0 X 10	2
17	HP-024	SELF STEERING DRAWBAR 2PTL	1
18	HP-024-7	CABLE HOLDER BRACKET	1
19	HP-200A	TYRE & WHEEL AWT 10/75-15.3	4
20	HP-219-31A	QM SARDI FAN RP 9.8 MOTOR w/ FLANGE	8
21	HP-229	MANIFOLD BRACKET HP-223C2	1
22	HP-274A-2G	BOOM ARM LH QM VER4 3000LT	1
23	HP-274A-3G	BOOM ARM RH QM VER4 3000LT	1
24	HP-274A-4B2	FRONT BRACE QM 3000/4000	1
25	HP-274A-5	PARKING ARM	2
26	HP-274A-5-1	PARKING BRACKET QM	1
27	HP-274A-6G	TOP BRACE QM 3000LT	1
28	HP-274A-10	DROPPER ARM OUTER	2
29	HP-274A-10-3	QM DROPPER TUBE BUMPER	2
30	HP-274A-11	STEEL BUSH QM	2
31	HP-274A-14	CLAMP HALF SADDLE 90MM	6
32	HP-274A-15A	MAIN TOWER ASSEMBLY QM	1
33	HP-274A-16A	NYLON BUTTON 50 X 10	8
34	HP-274A-18	ACTUATOR ROD SWIVEL BRACKET	2
35	HP-274B-12B	SWIVEL BRACKET V3 FOR ORORA	2
36	HP-274B-18	BRACKET CYLINDER ORORA	2
37	HP-275C	CLAMP CAST QUICK ADJUST	8
38	HP-275C-1	CLAMP PLATE QM500	8
39	HP-283E2	SUB FRAME QM 3000LT VER 2	1
40	HP-286A	BRACKET ECM 3000LT QUANTUM	2
41	HP-288	BRACKET MUDFLAP BP-400D	2
42	HP-289	MANIFOLD BRACKET A463CCRO08A	1
43	HP-298-15A	OIL COOLER 12V AIR TYPE HYDAC	1
44	HP-298-15A-1	BRACKET OIL COOLER	1
45	HP-298-15A-2	TOP SUPPORT BRACKET OIL COOLER	1
46	HP3000ABA	CHASSIS 3000LT AIRBLAST HAYLITE	1
47	HP-402A	RETRACTABLE STEP 2000LT	1
48	HP-405	BRACKET FILTER SUCTION	1
49	HP-434	BRACKET DAM FILL 3000LT	1
50	HP-504LA	SIDE RAIL 3000LT LH	1
51	HP-504RA	SIDE RAIL 3000LT RH	1
52	HP-511	FRONT TANK SUPPORT 3000LT	1
53	HP-512	SUMP GUARD 3000LT	1
54	HP-514	FRONT TIE DOWN ROD 3000LT	2
55	HP-515L	REAR LEFT TIE DOWN ROD 3000LT	1
56	HP-515R	REAR RIGHT TIE DOWN ROD 3000LT LT	1
57	HP-520	CROSS RAIL BRACKET FLUSH TANK	1
58	HP-521	SUPPORT STRAP FLUSH TANK	2
59	HP-820	BRACKET QM HOOK TYPE 600 X 800	2
60	HP-829	BRACKET HOOK TYPE 600MM X 1000MM	2
61	P3000AB-RAW	3000LT TANK POLY AIRBLAST RAW	1
62	P3000AB-110RAW	FLUSH TANK 110LT 3000LT	1
63	XBMBB65	U-BOLT 65MM X 12	4
64	XBMBB50	U-BOLT 50MM X 10	2
65	S0SQWASHER	50MM SQUARE WASHER	4
66	M20X140BOLT	M20 X 140 HEX HEAD BOLT HT ZP	1
67	M20X60	M20 X 60 SET SCREW HT ZP	2
68	M20HNUT	M20 HALF NUT ZP	2
69	M20NNUT	M20 NYLOC NUT HT ZP	1
70	M20FWASHER	M20 FLAT WASHER ZP	2
71	M16X100BOLT	M16 X 100 BOLT HT ZP	2
72	M16X50	M16 X 50 HEX HEAD SET SCREW HT ZP	8
73	M16X40	M16 X 40 HEX HEAD SET SCREW	4
74	M16X45SS	M16 X 45 S/S HEX HEAD SET SCREW	8
75	M16X40SS	M16 X 40 S/S HEX HEAD SET SCREW	8
76	M16X35SS	M16 X 35 S/S HEX HEAD SET SCREW	8
77	M16NNUT	M16 NYLOC NUT HT ZP	16
78	M16SSHNUT	M16 S/S HEX NUT	8
79	M16FWASHER	M16 FLAT WASHER ZP	30
80	M16SSWASHER	M16 S/S SPRING WASHER	16
81	M12X100BOLT	M12 X 100 HEX HEAD BOLT HT ZP	2
82	M12X40	M12 X 40 HEX HEAD SET SCREW HT ZP	4
83	M12X40SS	M12 X 40 SET SCREW S/S HT ZP	12
84	M12X35	M12 X 35 SET SCREW HT ZP	32
85	M12X30	M12 X 30 SET SCREW HT ZP	24
86	M12HNUT	M12 HEX NUT HT ZP	8
87	M12NNUT	M12 NYLOC NUT HT ZP	64
88	M12SSNNUT	M12 S/S NYLOC NUT	12
89	M12FWASHER	M12 FLAT WASHER ZP	114
90	M12SSFWASHER	M12 S/S FLAT WASHER	24
91	M10X30	M10 X 30 SET SCREW HT ZP	8
92	M10X25	M10 X 25 SET SCREW HT ZP	8
93	M10FWASHER	M10 FLAT WASHER ZP	38
94	M10NNUT	M10 NYLOC NUT HT ZP	22
95	M8X35	M8 X 35 SET SCREW HT ZP	8
96	M8X30	M8 X 30 SET SCREW HT ZP	5
97	M8NNUT	M8 NYLOC NUT HT ZP	13
98	M8FWASHER	M8 FLAT WASHER ZP	26
99	M6X20	M6 X 25 SET SCREW HT ZP	4
100	M6X20CSSCREW	M6X20 C/S HEAD SCREW	4
101	M6X16	M6 X 16 SET SCREW HT ZP	6
102	M6FWASHER	M6 FLAT WASHER ZP	24
103	M6NNUT	M6 NYLOC NUT HT ZP	14
104	M6GNIPPLE	M6 GREASE NIPPLE	4



HTP3000QM8 PARTS ILLUSTRATION
 THIS DRAWING IS FOR ILLUSTRATION PURPOSE ONLY
 PLEASE REFER TO THE PARTS LIST.

UNLESS OTHERWISE SPECIFIED: DIMENSIONS ARE IN MILLIMETERS SURFACE FINISH: ± 0.2 TOLERANCES: LINEAR: ± 0.5 ANGULAR: ± 0.5	FINISH: N/A	DEBUR AND BREAK SHARP EDGES	DO NOT SCALE DRAWING	ISSUE
DRAWN: BP/JUCO		SIGNATURE:	DATE: 04/11/13	REVISION:
CHECK:				
APP'VD:				
MFG:				
Q.A.		MATERIAL: N/A	DWG NO. HTP3000QM8	A1
COPYRIGHT PROPRIETOR: ALL RIGHTS RESERVED BY NUFARM LIMITED COMPANY. REPRODUCTION OF THIS DOCUMENT IS PROHIBITED WITHOUT THE CONSENT OF NUFARM LIMITED COMPANY.		WEIGHT:	SCALE: 1:17.5	SHEET 1 OF 1

CROPLANDS
 A NUFARM LIMITED COMPANY
3000LT QUANTUM MIST
 QUANTUM MIST OVER ROW
 PARTS LIST 2013