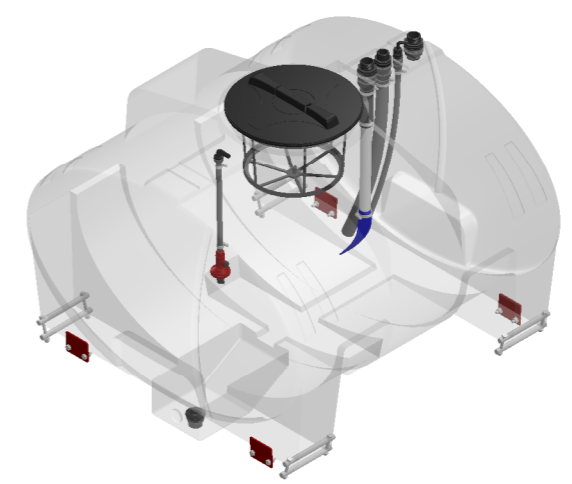


ITEM NO.	PART NUMBER	DESCRIPTION	QTY.
1	A116210	ELBOW 10MM FOR FLY	1
2	A118215	PIPE 1/2 X 1/2 SINGLE PIECE 90	1
3	A200020	FLY NUT 1/2" 12.5 MMD	1
4	A205020	BACK NUT 1/2"	1
5	A205050	BACK NUT 1 1/4"	2
6	A205060	BACK NUT 1 1/2"	2
7	A220060	TANK OUTLET 1 1/2"	1
8	A250021	NIPPLE 1/2"	1
9	A250051	NIPPLE 1 1/4"	1
10	A250061	NIPPLE 1 1/2"	2
11	A300130	FILTER BASKET LARGE 254MM DEEP	1
12	A500000.170	O RING 1/2"	1
13	AG40002	FLAT SEAL 1/2" EPDM	2
14	AG40005	FLAT SEAL 1 1/4" EPDM	1
15	AG40006	FLAT SEAL 1 1/2" EPDM	3
16	BP-520B-4	TIE DOWN PIN 1100LT PONY	8
17	BP-700C-2-1	TANK RETAINER	4
18	G8161000	LID/RING KIT 455MM	1
19		M10 X 90 BOLT HT ZP	8
20		M10 X 30 SET SCREW HT ZP	8
21		M10 FLAT WASHER ZP	32
22		M10 NYLOC NUT HT ZP	16



UNLESS OTHERWISE SPECIFIED: DIMENSIONS ARE IN MILLIMETERS SURFACE FINISH: ± 0.2 TOLERANCES: LINEAR: ± 0.5 ANGULAR: ± 0.5		FINISH:  N/A	DEBUR AND BREAK SHARP EDGES 	DO NOT SCALE DRAWING	ISSUE	A
DRAWN: LJSMITH CHK'D: APPV'D: MFG: Q.A.			SIGNATURE DATE: 130715 REVISION	TITLE: <b>CROPLANDS</b> A NUFARM LIMITED COMPANY <b>WEEDIT</b> <b>SERIES 3</b> WEEDIT 100I TANK PRE- ASSEMBLY		
MATERIAL:  N/A			DWG NO.  KB-7000-7A	A3		
COPYRIGHT PROPRIETOR THIS DRAWING IS THE PROPERTY OF CROPLANDS PTY. LTD. AND MUST BE TREATED AS CONFIDENTIAL. REPRODUCTION OF THIS DRAWING (OR PART THEREOF) OR COMMUNICATION OF ITS CONTENTS IS PROHIBITED WITHOUT THE CONSENT OF CROPLANDS PTY. LTD.			WEIGHT:	SCALE: 1:15	SHEET 1 OF 1	