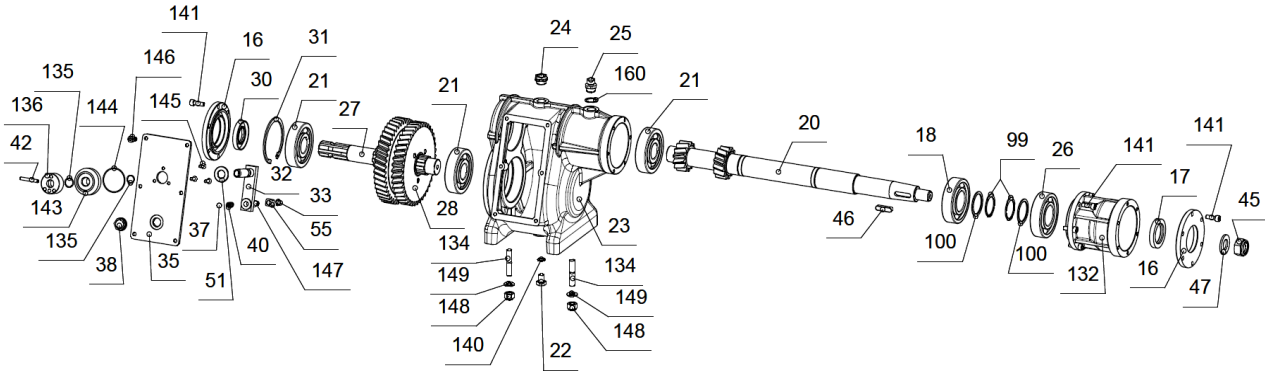


| Ref. | Codice-Code | Qty. | D.1060 -1060FCRO03 | D.1060 -1060FCRO03 |
|-------|---------------------|----------|--|--|
| 1 | RET00000354 | 1 | RETE D. 1060 VERN. NERA | BLACK GUARD FOR D.1060 |
| | BULLONI0002 | 1 | BULLONI X RETE ZN | BOLTS FOR GUARD |
| 2 | CNI00000055 | 1 | CNV/F1060/02 CONVOGLIATORE F1060 INOX | SS FAN HOUSING FOR 1060F |
| 3 | PIA00000562 | 1 | PIASTRA PT/200/C F1060 D.1320 ZN | GALVANIZED BACKPLATE D.1320mm |
| | BULLONI0242 | 1 | BULLONI INOX BLOCCA CONVOGLIATORE SU PIASTR | SS BOLTS TO LOCK FAN HOUSING ON BACKPLATE |
| | TEI00000030 | 28 | TE 8X20 INOX | SS TE 8X20 |
| | AUT00000108 | 28 | AUTOBLOCCANTE 8MA ALTO INOX | SS LOCKNUT 8MA |
| 52 | CAV00000066 | 1 | CV/F1060/01 CAVALLETTO VERNICIATO F1060 | BLACK FRAME FOR 1060F |
| | BULLONI0040 | 1 | BULLONI X CAVALLETTO | BOLTS FOR FRAME |
| 48 | BAN00000233 | 1 | BN/F1060/14 BANDELLA DRITTA INOX | SS STRAIGHT DEFLECTOR BN/F1060/14 |
| 49 | BAN00000234 | 1 | BN/F1060/20 BANDELLA CENTRALE INOX | SS CENTRAL DEFLECTOR BN/F1060/20 |
| | BULLONI0242 | 1 | BULLONI BLOCCA BANDELLE INOX F1060 | BOLTS TO LOCK THE SS DEFLECTOR |
| | TEI00000028 | 6 | TE 6X20 INOX | SS TE 6X20 |
| | AUT0000107 | 6 | AUTOBLOCCANTE 6MA INOX | SS LOCKNUT 6MA |
| | RON0000202 | 6 | RONDELLA 6X18 INOX | SS WASHER 6X18 |
| | TEI00000032 | 1 | TE 8X16 INOX | SS TE 8X16 |
| | AUT0000108 | 1 | AUTOBLOCCANTE 8MA INOX | SS LOCKNUT 8MA |
| 150 | CON00000031 | 1 | CON/1060 CONO F1060 | CONE FOR 1060 |
| | BULLONI0240 | 1 | BULLONI INOX X CONO | SS BOLTS FOR CONE |
| 300 | DIS00000129 | 7 | DISTANZIERE F1060 H50 NERO | BLACK H.50 SPACER |
| | TEI00000049 | 7 | TE 8X80 INOX | SS. TE 8X80 |
| | RON00000350 | 7 | RONDELLA NYLON 8X24X3 | NYLON WASHER 8X24X3 |
| | RON00000207 | 14 | RONDELLA 8X22 INOX | SS WASHER 8X22 |
| | AUT00000108 | 7 | AUTOBLOCCANTE 8MA ALTO INOX | SS LOCKNUT 8MA |
| 304 | PIA00000213 | 1 | CONTROPIASTRA F1060/50 DX ZN | GALV. RIGHT PLATE F1060/50 |
| 305 | PIA00000214 | 1 | CONTROPIASTRA F1060/60 SX ZN | GALV. LEFT PLATE F1060/60 |
| | TCC00000028 | 5 | TCCE 6X10 ZN PER CONTROPIASTRE | GALV. TCCE 6X10 FOR PLATES |
| 4 | TUB0000087DX | 1 | TUBO INOX COMPLETO 8M. DX X F1060 | SS COMPL. MANIFOLD 8 CLAMPS RIGHT F1060 |
| 4 | TUB0000087SX | 1 | TUBO INOX COMPLETO 8M. SX X F1060 | SS COMPL. MANIFOLD 8 CLAMPS LEFT F1060 |
| 4G | TAP000000001 | 1 | TAPPO 1/2 GAS F. | 1/2 GAS F. CUP |
| 4M | CUR000000001 | 1 | CURVA 1/2 - 1/2 GAS | 1/2 - 1/2 GAS ELBOW |
| 4P | PRO000000023 | 8 | PROLUNGA M-F CILINDRICA 1/4" H43 | CYLINDRIC EXTENSION 1/4 H.43 |
| 4T | TUB000189DX | 1 | TUBO INOX 8FORI F1060 DX mm | SS PIPES 8 HOLES RIGHT X F1060 |
| 4T | TUB000189SX | 1 | TUBO INOX 8FORI F1060 SX mm | SS PIPES 8 HOLES LEFT X 1060 |
| | MOR000000003 | 8 | MORSETTO COMPLETO | COMPLETE CLAMP |
| 4A | MOR000000001 | 8 | MORSETTO 1/4 F GAS | 1/4F GAS CLAMP |
| 4C | OR000000014 | 8 | OR 3030 VITON | OR3030 VITON |
| 4E | TCC00000119 | 16 | TCCE 6X14 | 6X14 BOLT |
| | BULLONI0063 | 1 | BULLONI X TUBI | BOLTS FOR MANIFOLDS |
| | STA000000001 | 6 | STAFFE ZINCATE PER TUBI | GALVANISED STIRRUPS FOR PIPES |
| | TER000000009 | 6 | TER80 10X25 | TER80 10X25 |
| | AUT000000001 | 6 | AUTOBLOCCANTE 10MA ALTO | 10MA LOCKNUT |
| 5 | TUB0000088DX | 1 | TUBO INOX COMPLETO 5M. DX X F1060 | SS COMPL. MANIFOLD 5 CLAMPS RIGHT F1060 |
| 5 | TUB0000088SX | 1 | TUBO INOX COMPLETO 5M. SX X F1060 | SS COMPL. MANIFOLD 5 CLAMPS LEFT F1060 |
| 5G | TAP000000001 | 1 | TAPPO 1/2 GAS F. | 1/2 GAS F. CUP |
| 5T | TUB000190DX | 1 | TUBO INOX 5FORI F1060 DX mm | SS PIPES 5 HOLES RIGHT X F1060 |
| 5T | TUB000190SX | 1 | TUBO INOX 5FORI F1060 SX mm | SS PIPES 5 HOLES LEFT X 1060 |
| | MOR000000003 | 5 | MORSETTO COMPLETO | COMPLETE CLAMP |
| 5A | MOR000000001 | 5 | MORSETTO 1/4 F GAS | 1/4F GAS CLAMP |
| 5C | OR000000014 | 5 | OR 3030 VITON | OR3030 VITON |
| 5E | TCC00000119 | 10 | TCCE 6X14 INOX | 6X14 BOLT |
| 128 | BULLONI0064 | 1 | KIT COLLARE BLU TUBI SU CNV 720/820/920 | KIT BLU CLAMP WITH BOLTS |
| | COL000000001 | 6 | COLLARE X TUBI | GREEN CLAMP FOR PIPES |
| | TCC000000008 | 6 | TCCE 6X35 ZN | GALV. TCCE 6X35 |
| | TCC000000009 | 6 | TCCE 6X40 ZN | GALV. TCCE 6X40 |
| | RON00000104 | 12 | RONDELLA 6X18 ZN | GALV. WASHER 6X18 |
| | AUT000000004 | 12 | AUTOBLOCCANTE 6MA ZN | LOCKNUT 6MA |
| 10-11 | VNF10600004 | 1 | VENTOLA ANODIZZATA F1060 CON FRIZIONE | ANODIZED FAN F1060 COMPLETE OF CLUTCH |
| | | | CAMBIO VERNICIATO GRIGIO CM15 | GRAY PAINTED GEARBOX CM15 |
| 299 | MOLZZ000061 | 1 | MOLTIPLICATORE VERNICIATO GRIGIO SENZA LEVA | CM15 GRAY PAINTED GEARBOX WITHOUT LEVER |
| 302 | KIT00000126 | 1 | KIT LEVA DRITTA COMPLETA | KIT STRAIGH LEVER |
| 303 | KITFIT00110 | 1 | KIT LEVA MOBILE COMPLETA | KIT MOBILE LEVER |
| 306 | KITFIT00128 | 1 | KIT STAFFA PORTA LEVA MOBILE | KIT BRACKET MOBILE LEVER |

CM15-GRAY PAINTED

aggiornato al 7/5/2015



MOLZ2000061

MULTIPLICATORE VERNICIATO GRIGIO CM15

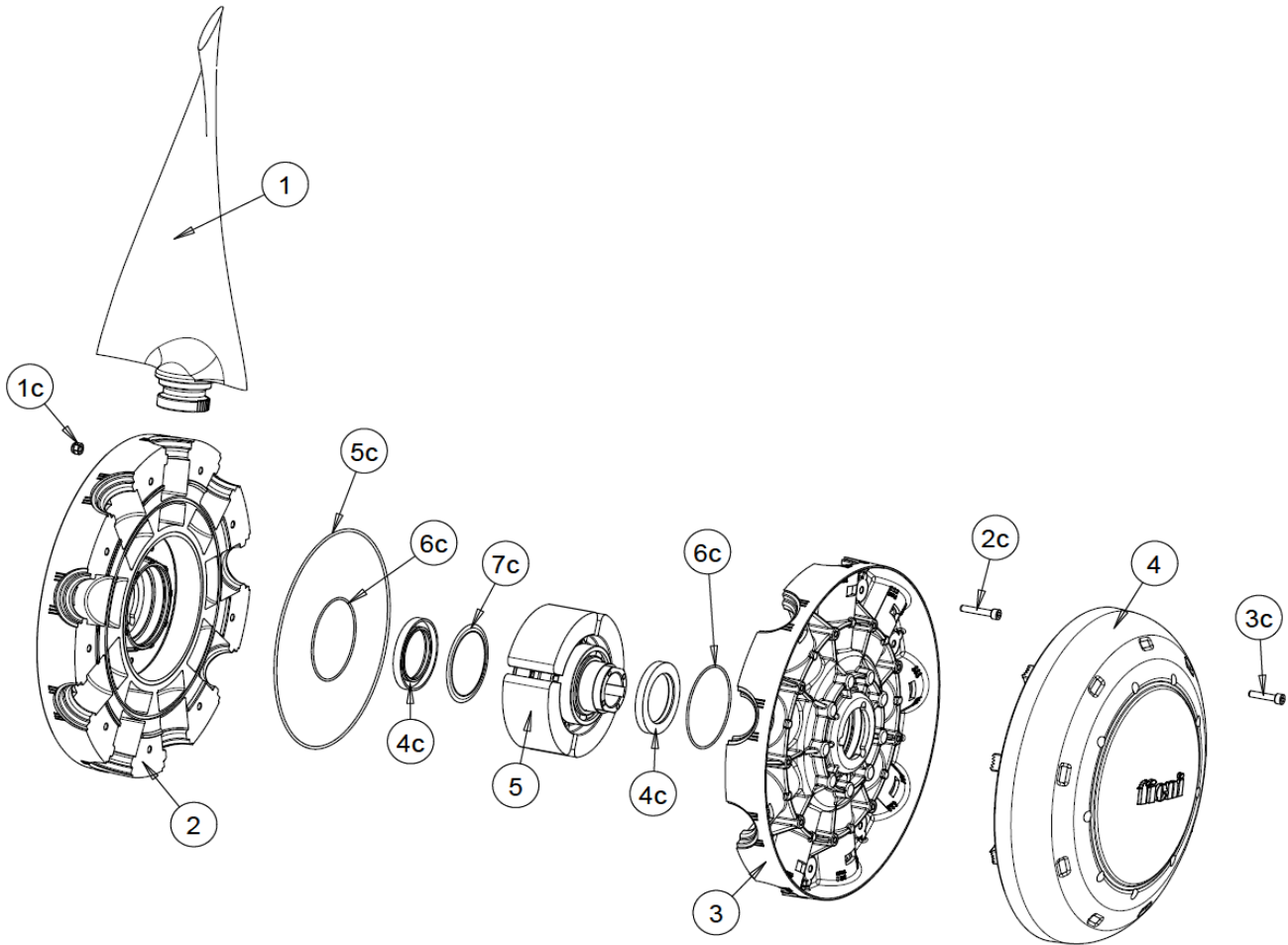
| ref. | code | q.t | MULTIPLICATORE VERN.GRIGIO SENZA LEVA CM15 | GEARBOX GRAY PAINTED CM15- WITHOUT LEVER |
|------|--------------------|----------|---|---|
| | MOLZ2000061 | 1 | MULTIPLICATORE VERN.GRIGIO SENZA LEVA CM15 | GEARBOX GRAY PAINTED CM15- WITHOUT LEVER |
| 16 | FUS00000058 | 2 | V2G/10 COPERCHIO TONDO | V2G/10 ROUND COVER |
| 17 | PAR00000007 | 1 | PARAOLIO 45X65X10 NBR TC | 45X65X10 SEAL |
| 18 | CUS00000021 | 1 | CUSCINETTO 6309 | 6309 BEARING |
| 20 | PGN00000061 | 1 | PIGNONE Z13-14 CM15/20 | CM15/20 SHAFT Z13-14 |
| 21 | CUS00000022 | 3 | CUSCINETTO 6407 | 6407 BEARING |
| 22 | TER00000011 | 1 | TE R80 12X16 | 12X16 BOLT |
| 23 | FUS00000298 | 1 | CM15/10 SCATOLA CAMBIO CM15 | CM15/10 GEARBOX CASING |
| 24 | TAP00000002 | 1 | TAPPO CARICO OLIO TSN12 | TSN12 OIL LOADING CAP |
| 25 | SFI00000002 | 1 | SFIATATOIO OLIO KMW12 | KMV12 OIL BREATHER |
| 26 | CUS00000030 | 1 | CUSCINETTO 6309 2RS | 6309 2RS BEARING |
| 27 | PER00000097 | 1 | PERNO CM15/30 | SPLINING PIVOT CM15/30 |
| 28 | COR00000102 | 1 | CORONA Z41-43 CM15/50/40 | GEAR Z41-43 CM15/50/40 |
| 30 | PAR00000027 | 1 | PARAOLIO 35X65X10 NBR SC | 35X65X10 SEAL |
| 31 | SEG00000009 | 1 | SEGER I 100 | I 100 CIRCLIP |
| 99 | ANE00000033 | 2 | V2G/50 ANELLINO 45X55X2 | V2G/50 45X55X2 RING |
| 100 | SEG00000007 | 2 | SEGER E 45 | E 45 CIRCLIP |
| 132 | FUS00000006 | 1 | PROLUNGA V2G/L/10 | V2G/L/10 EXTENSION |
| 134 | PRI00000011 | 6 | PRIGIONIERO 12X60 V2G/82 | 12X60 STUD V2G/82 |
| 148 | AUT00000002 | 6 | AUTOBLOCCANTE 12MA ALTO | 12MA LOCKNUT |
| 149 | RON00000115 | 6 | RONDELLA 12X24 ZN | 12X24 WASHER |
| 140 | RON00000300 | 1 | RONDELLA 12X17X1,5 | 12X17X1,5 WASHER |
| 141 | TCC00000013 | 18 | TCCE 8X25 | TCCE 8X25 |
| 160 | GUA00000006 | 1 | GUARNIZIONE ALLUMINIO 21X27X1,5 | ALLUMINIUM SEALING |
| ↓ | KIT00000040* | 1 | KIT COPERCHIO RETTANGOLARE - CM15 | KIT- CM15 RECTANGULAR COVER |
| ↓ | BULLONI0135* | 1 | BULLONI BLOCCAGGIO ELICA SU CAMBIO | BOLTS TO LOCK THE FAN ON THE GEARBOX |

| ref. | code | q.t | KIT COPERCHIO RETTANGOLARE - CM15 | KIT- CM15 RECTANGULAR COVER |
|------|---------------------|----------|--|------------------------------------|
| | KIT00000040* | 1 | KIT COPERCHIO RETTANGOLARE - CM15 | KIT- CM15 RECTANGULAR COVER |
| 32 | BIE00000013 | 1 | V2C BIELLA COMPLETA | |
| 33 | SEG00000001 | 1 | SEGER E 10 | E 10 CIRCLIP |
| 35 | COP00000057 | 1 | COPERCHIO RETTANGOLARE CM15/60 | CM15/60 RECTANGULAR COVER |
| 37 | SFE00000004 | 1 | SFERA D.11 | D. 11 SPHERE |
| 38 | LIV00000001 | 1 | LIVELLO OLIO 1/2 | 1/2 OIL LEVEL |
| 40 | MLL00000020 | 1 | MOLLA CM9/12 | CM9/12 SPRING |
| 42 | SPI00000005 | 1 | SPINA ELASTICA 6X45 | 6X45 PLUG |
| 51 | RON00000101 | 1 | RONDELLA 18X34X3 | 18X30X3 WASHER |
| 55 | CUB00000001 | 1 | V2G/40 CUBO TEMPERATO | V2G/40 TEMPERED CUBE |
| 135 | OR00000002 | 2 | OR 2056 | 2056 "O" RING |
| 136 | POR00000002 | 1 | PORTA LEVA CM9/03 | LEVER HOLDER CM9/03 |
| 143 | FLA00000020 | 1 | CF/V1/70 FLANGIA X PORTALEVA | CF/V1/70 FLANGE FOR LEVER HOLDER |
| 144 | OR00000023 | 1 | O RING 2200 | O RING 2200 |
| 145 | TPS00000011 | 3 | TPSCE 6X14 | TPSCE 6X14 |
| 146 | TCC00000011 | 6 | TCCE 8X20 | TCCE 8X20 |
| 147 | PER00000099 | 1 | PERNO PORTA CUBO CM15/70 | PIVOTCM15/70 FOR CUBE |

| ref. | code | q.t | BULLONI BLOCCAGGIO ELICA CG | BOLTS TO LOCK THE FAN ON THE GEARBOX |
|------|---------------------|----------|------------------------------------|---|
| | BULLONI0135* | 1 | BULLONI BLOCCAGGIO ELICA CG | BOLTS TO LOCK THE FAN ON THE GEARBOX |
| 45 | AUT00000010 | 1 | AUTOBLOCCANTE 24 | 24 LOCKNUT |
| 46 | CHI00000001 | 1 | CHIAVETTA 10X8X40 | 10X8X40 SMALL KEY |
| 47 | RON00000103 | 1 | RONDELLA 24X44X4 | 24X44X4 WASHER |

VNF10600004 ANODIZE TYPE CROPLANDS- D. 1060 FAN

aggiornato al 7/5/2015



VNF10600004 ANODIZE TYPE CROPLANDS- D. 1060 FAN

| Ref. | Codice-Code | Qty. | VENTOLA COMPLETA D.1060mm-CROPLANDS | D.1060mm ANODIZE COMPLETE FAN - CROPLANDS |
|------|--------------------|----------|---|--|
| | VNF10600004 | 1 | VENTOLA COMPLETA D.1060mm-CROPLANDS | D.1060mm ANODIZE COMPLETE FAN - CROPLANDS |
| 1 | PAL00000087 | 9 | VNF1060/01 PALA NYLON D.1060mm | VNF1060/01 NYLON BLADE D.1060mm |
| 1c | AUT00000004 | 9 | AUTOBLOCCANTE M6 | M6 LOCKNUT |
| 2 | FUS00000292 | 1 | MIMOZZO ANODIZZATO VNS/30 MASCHIO CON FERRO | ANODIZE HALF HUB VNS/30 MALE WITH LINING |
| 2c | TCC00000008 | 9 | TCCE 6X35 | TCCE 6X35 |
| 3 | FUS00000291 | 1 | MIMOZZO ANODIZZATO VNS/20 FEMMINA CON FERRO | ANODIZE HALF HUB VNS/20 FEMALE WITH LINING |
| 3c | TCC00000142 | 9 | TCCE 6X30 INOX | TCCE 6X30 SS |
| 4 | COP00000043 | 1 | COPERCHIO GIALLO VNS"Fieni" | YELLOW "Fieni" VNSFAN COVER |
| 4c | ANE00000063 | 1 | ANELLO 79X71X0,6 | 79X71X0.6 RING |
| 5 | FRI00000021 | 1 | FRIZIONE VNFx4 CG | VNSx4 CG CLUTCH |
| 5c | ORM00000001 | 2 | OR 800-20 | OR 800-20 |
| 6c | OR000000062 | 1 | OR 3850 | OR 3850 |
| 7c | PAR00000025 | 2 | PARAOILIO 50X72X8 SC | 50X72X8 SEAL |

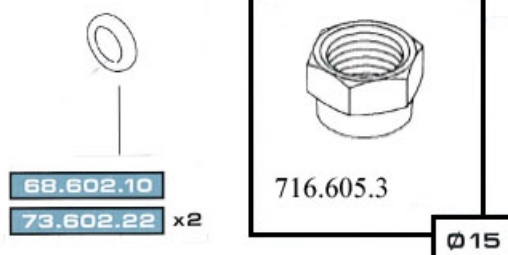
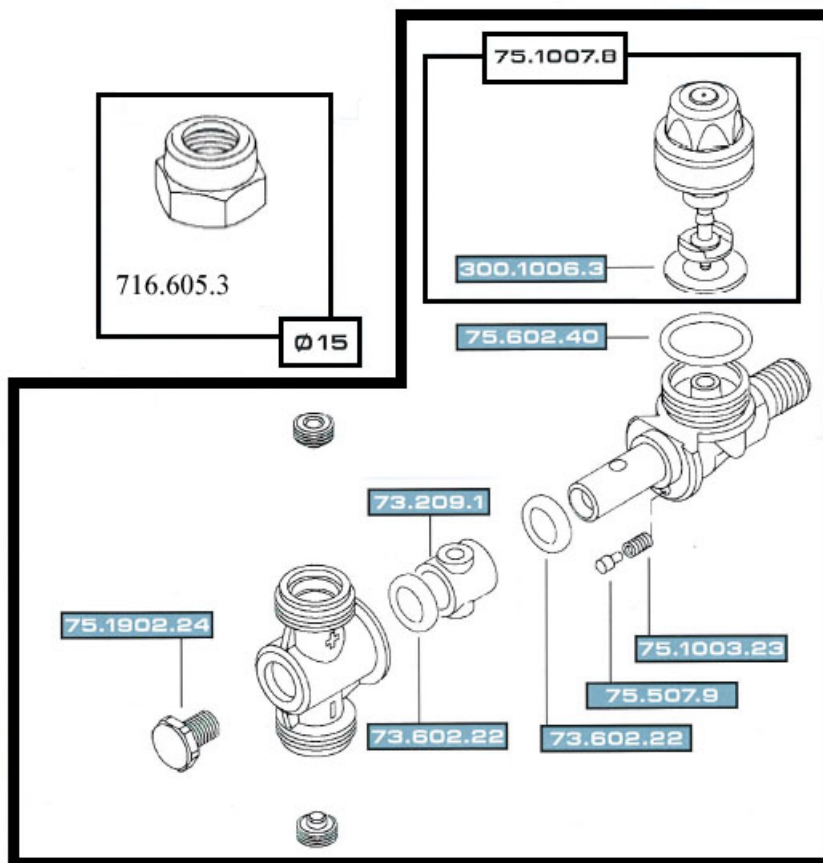
B716.617.2 Roll Over Body



For use on air blast sprayers. Very compact, roll over to select spray tips with two shut off positions. Two open positions at + 15 from vertical. A click point at each position. Check valve assures efficient and long lasting operations at low and high pressures.

Maximum Pressure:
Weight:

40 bar / 600 psi
255g



NOTE
SOME PARTS ARE NON-STOCK
ITEMS AND MAY NEED TO BE
ORDERED

NOTE
PLEASE ADD PREFIX **B** TO
PART NUMBER TO REFLECT
CROPLANDS PART NUMBER