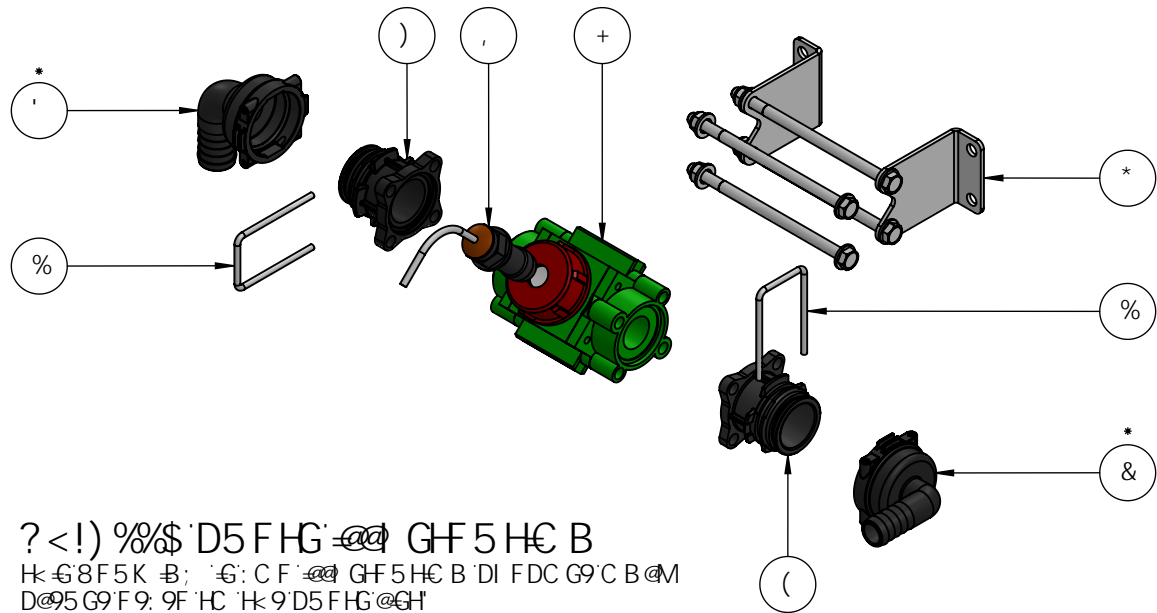


#PA BC "	D5 FHB I A 69F	8 9G7 F DHC B	E HM
%	5 \$\$\$\$)	B @H: C F?	&
&	5 %%- \$) &\$	9@C K 'H): '8"&\$	%
'	5 %%- \$) &)	9@C K 'H): '8"&)	%
(5 (*' \$\$\$\$") *	5 85 DH9F 'A 'HMD9: C F 'J 5 @ 9'G9F 9G (*' 'H) A	%
)	5 (*' \$\$\$\$") *	5 85 DHC F 'H) A : C F 'J 5 @ 9G (*' 'G9F 9G	%
*	5 (*' \$\$\$"- &\$	A C I BHB; ?#I&J 5 @ 9	%
+	DC @\$\$' +) - \$, 5	: @C K 'A 9H9F 'F#7 <97 ? 'N5:: '5F5; : @	%
,	DC @% \$\$\$' 5@5?	: @C K 'A 9H9F 'F#7 <97 ? 'N5:: '5F5; : @	%



?<!) %\$ D5 FHG @G GF 5 HC B
 H- G'8F5K B; 'G: C F @G GF 5 HC B 'DI FDC G9' C B @M
 D@95G9F9: 9F 'HC 'Hk 9'D5 FHG @GH'

I B @GGC H: 9FK 69 GD97 ± 98. : B-G<. 8 A 9B GC BG5F9 B A @A 9H9FG G F: 57 9: B-G<:: ± \$' & H C @F5B7 9G @B 95F: ± \$' 5B: I @5F: ± \$')				B #5		896I F 5B8' 6F95? G<5FD' 98: 9G 		8C 'BCHG7 5 @8F5K B: 9		5
B5A 9		G± B5H F9	85H9	F9J GCB		7 FCD @5B8G 5 BI : 5FA 'A #98 7 CA D5BM E I 5BH A 'A GHA 5FH CDF 5M				
8F5K B		FD> 7C	%\$\$\$%		: I GCB: @C K 'A 9H9F 'A 5B =C @B 'H) A					
7 <? 8										
5DDJ 8										
A ::										
E '5				A 5H9F 5@		8K: BC*		5(
7 C DM ± <HDFC DF 9HC F				B #5		?<!) %\$				
H- G'8F5K B: 'GH-9DFC D9F HMC: 7 FCD 5B8GDHM @B* F9DF C8I 7 HC B C: H- G'8F5K B: 'FC F D5 FHH 9F 9C: L C F: 7 CA A I B 7 5 HC B C: #G 7 C B H9B H G DFC < 6 H9B K #C I H H- 97 C B G9B HC F 5I H C F HMC: 7 FCD 5B8GDHM @B*				K 9± <H'		G7 5 @. %)		G<99H% C: %		