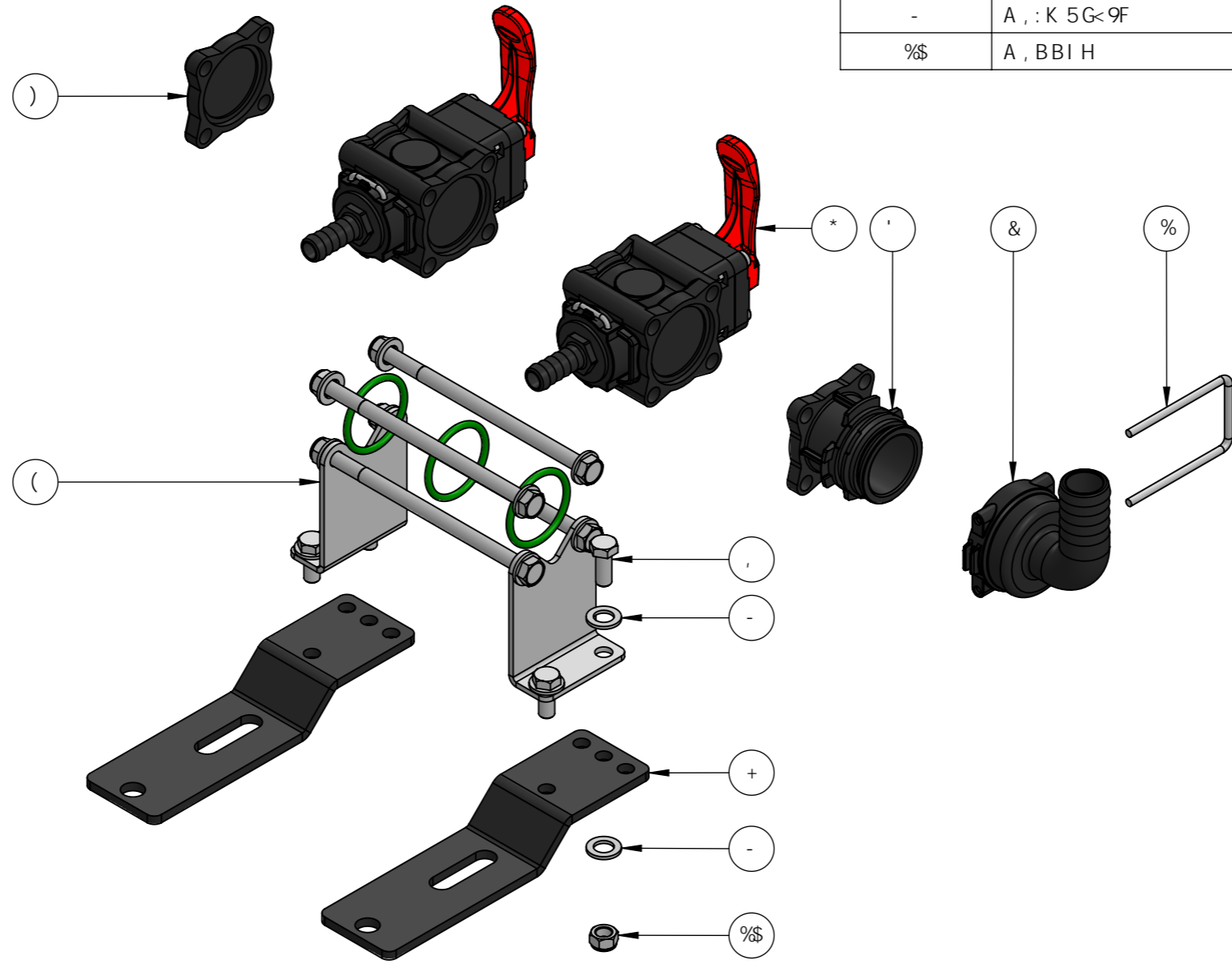


#PA 'BC "	D5FHBI A 69F	89G7 F-DHC B	E HM
%	5 \$\$\$\$)	B@H: C F?	%
&	5 %& \$) &	9@C K 'H): '8"&	%
'	5 ('*' \$\$\$"\$) *	585DH9F 'A 'HMD9: C F 'J 5@ '9'G9F -9G('*' 'H) A	%
(5 ('*' \$\$\$"- &\$	A C I BHB; '?#&'J 5@ 9	%
)	5 ('*' %%%&\$	7 @ G98 '585DHC F	%
*	5 ('*' \$) %	J 5@ '9' A 5BI 5@% A A 'H5 @	&
+	A D! *% 5	: -@PF / '6C C A 'J 5@ '9'6F57 ?9H	&
,	A , L&\$	A , 'L' &\$'G9HG7 F9K '<HND	(
-	A , :K 5G<9F	A , :@5HK 5G<9F 'ND	,
/\$	A , BBI H	A , 'BMC 7 'BI H<HND	(



?<!) %% 'D5FHG' @ GF5HC B
Hk G8F5K B; 'G: C F @ GF5HC B 'DI FDC G9' C B @M
D@95G9F9: 9F 'HC 'Hk 9'D5FHG @G'

I B@GGC H: 9FK G9 GD97 = 98. 8 A 9BGC BG5F9 B A @A 9HFG G F: 57 9: B G<: ' ± S' & HC @9F5B7 9G@B95F..... ± S'5B: I @5F..... ± S'		: B G<.		B #5		896I F5B8' 6F95? G<5FD 98: 9G		8C B'CHG7 5@8F5K B:		@ 9		5	
8F5K B		FD: 7 C		G: B5H F9		85H@		F9J GCB		H#9:		7 FC D@B8G 5 BI : 5FA @A #98 7CA D5BM E A 'GA 5FHGDF5M	
7 < ? B		5DDJ B		A :		E *5		A 5H9F 5@		8K : BC "		?<!) %%	
7 CDMF = <HDFC DF 4CF		H: G8F5K B; 'G: C F @ GF5HC B 'DI FDC G9' C B @M		7 CDME @B95F..... ± S'		5B: I @5F..... ± S'		K 9= <H'		G7 5@9: %'		G<99H% C : %	