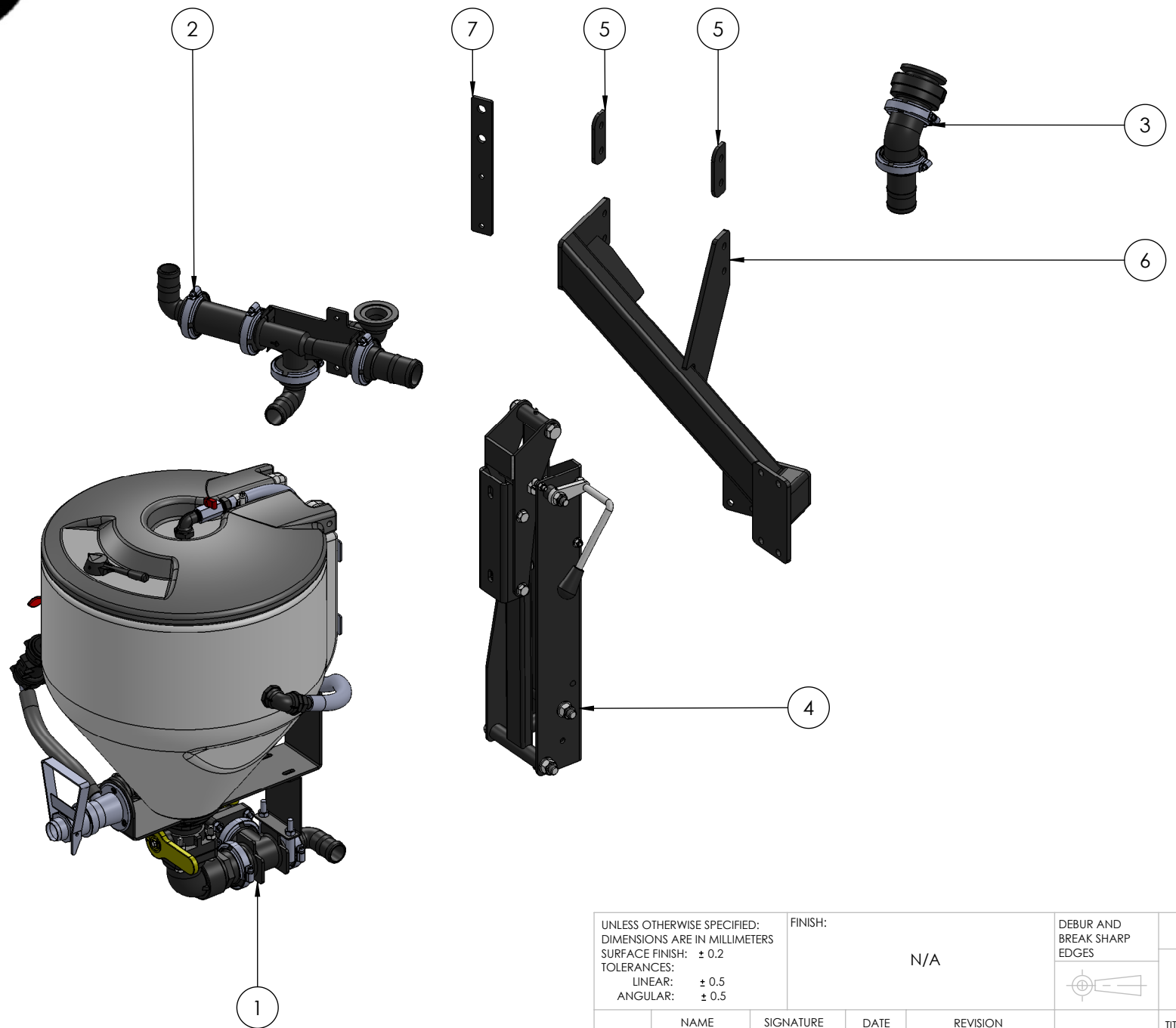


ITEM NO.	PART NUMBER	DESCRIPTION	QTY.
1	KS-1002-1A	CHEMICAL HOPPER ASSEMBLY KIT 1300	1
2	KS-1002-2A	VENTURI ASSEMBLY KIT 1300	1
3	KS-1002-3A	TANK RETURN ASSEMBLY 1300	1
4	SP-012A	DROPDOWN BRACKET VERSION 2	1
5	SP-013A-1	SPACER DROP DOWN BRACKET	2
6	SP-013A	BRACKET EXTENSION DROPDOWN	1
7	SP-016-1	VENTURI EXTENSION BRACKET	1



UNLESS OTHERWISE SPECIFIED: DIMENSIONS ARE IN MILLIMETERS SURFACE FINISH: ± 0.2 TOLERANCES: LINEAR: ± 0.5 ANGULAR: ± 0.5		FINISH: N/A	DEBUR AND BREAK SHARP EDGES 	DO NOT SCALE DRAWING	ISSUE	A																							
<table border="1"> <thead> <tr> <th>NAME</th> <th>SIGNATURE</th> <th>DATE</th> <th>REVISION</th> </tr> </thead> <tbody> <tr> <td>DRAWN LJSMITH</td> <td></td> <td>310315</td> <td></td> </tr> <tr> <td>CHK'D</td> <td></td> <td></td> <td></td> </tr> <tr> <td>APPV'D</td> <td></td> <td></td> <td></td> </tr> <tr> <td>MFG</td> <td></td> <td></td> <td></td> </tr> <tr> <td>Q.A</td> <td></td> <td></td> <td></td> </tr> </tbody> </table>			NAME	SIGNATURE	DATE	REVISION	DRAWN LJSMITH		310315		CHK'D				APPV'D				MFG				Q.A				<p>TITLE: ROGATOR 1300 COMPLETE CHEMICAL HOPPER KIT</p>		
NAME	SIGNATURE	DATE	REVISION																										
DRAWN LJSMITH		310315																											
CHK'D																													
APPV'D																													
MFG																													
Q.A																													
<p>COPYRIGHT PROPRIETOR THIS DRAWING IS THE PROPERTY OF CROPLANDS PTY. LTD. AND MUST BE TREATED AS CONFIDENTIAL. REPRODUCTION OF THIS DRAWING (OR PART THEREOF) OR COMMUNICATION OF ITS CONTENTS IS PROHIBITED WITHOUT THE CONSENT OF CROPLANDS PTY. LTD.</p>			<p>MATERIAL: N/A</p>		<p>DWG NO. KS-1002A</p>	<p>A3</p>																							
			WEIGHT:	SCALE: 1:10	SHEET 1 OF 1																								

