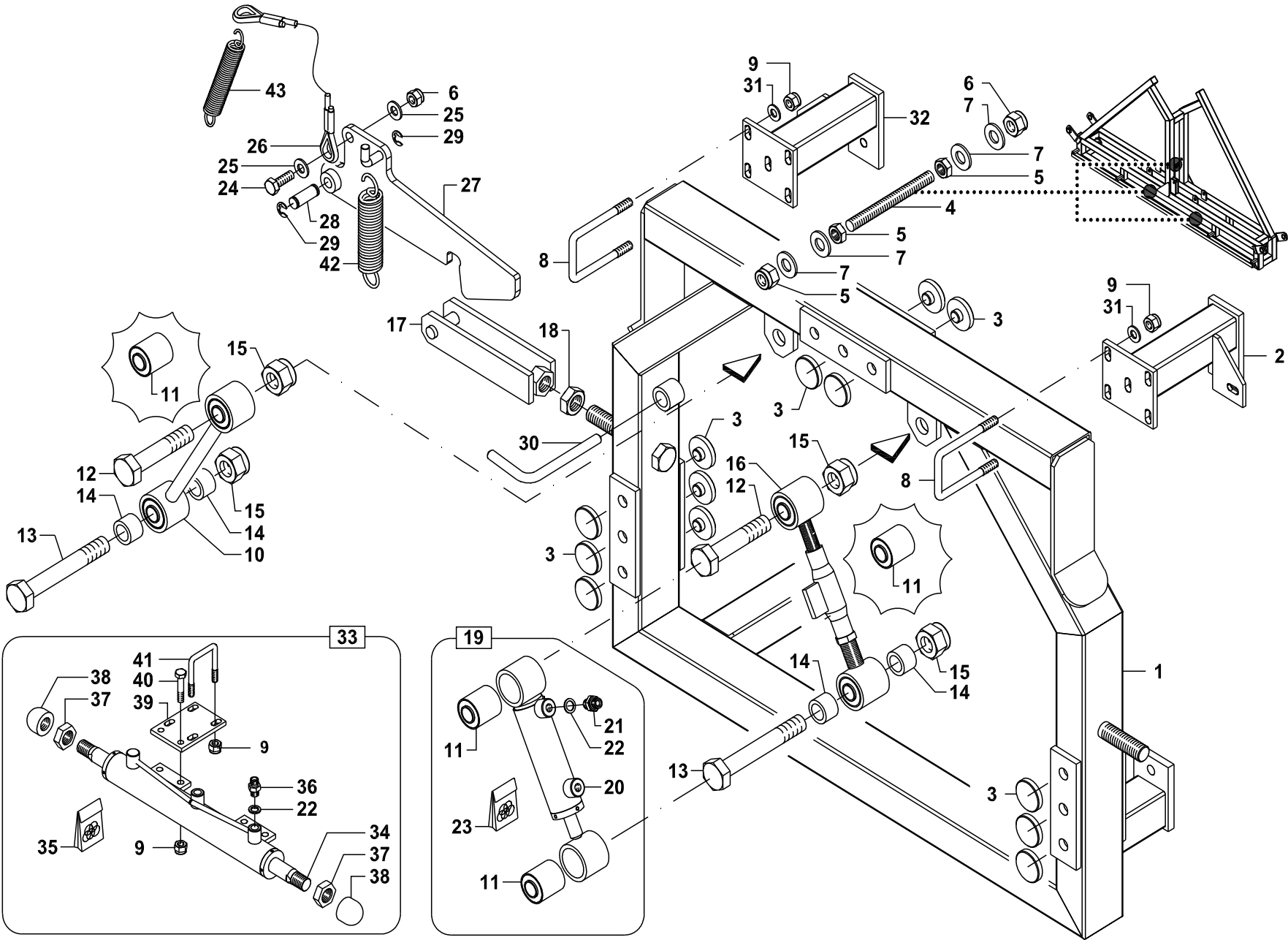


1	BG026966	
2	BG011047	
3	GG996000192	
4	GG570500008Z	
5	BB50243113	
6	GG500100010Z	
7	GG919800021X	
8	GG500400004Z	
9	GG500100032	
10	GG900710025Z	
17	GG950130030	
18	GG950150050	
19	GG550401500	4 fori/holes
19	GG550501500	5 fori/holes
20	GGA00425130	
21	BB50112041	
22	BG028332	
23	GG999900004Z	
24	GG999900467	
25	GG201800065V	
26	GG500500004Z	
27	GG905300006	
28	GG907106018Z	

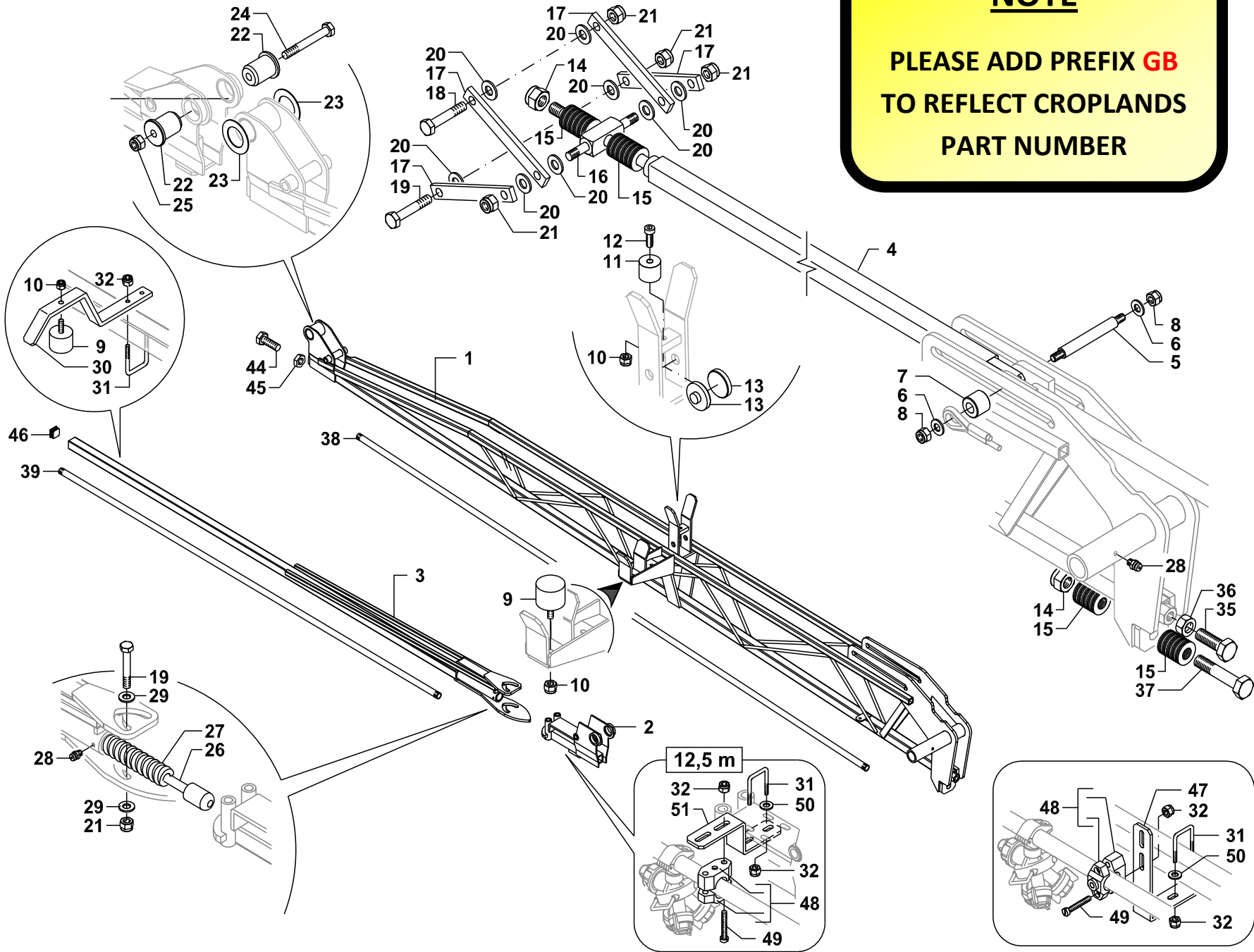
BDX



1	BG027484
2	BG027485
3	GG950200020
4	GG500100040Z
5	GG905100014Z
6	GG905400014
7	GG907114042Z
8	GG500500006Z
9	GG905300010
10	GG993805002Z
11	GG950300003
12	GG900320080Z
13	GG900320120Z
14	GG500200016Z
15	GG905400020
16	GG993805003Z
17	BG013330
18	GG905200020Z
19	GG997000006
20	GG701632002V
21	GG570500006Z
22	BB50243113
23	GG996000203
24	GG900114040Z
25	GG907014028Z
26	BG013329
27	BG013286
28	GG500100011Z
29	GG919800021X
30	BG015799
31	GG907010021Z
32	BG028289
33	GG993809002
34	GG702540009V
35	GG996000178
36	GG570500011Z
37	GG905200022Z
38	GG501100007
39	GG501100002V
40	GG900110030Z
41	GG500500002Z
42	BG011809
43	BG020395

BDX

**NOTE**  
**PLEASE ADD PREFIX GB**  
**TO REFLECT CROPLANDS**  
**PART NUMBER**



1	BG027660
2	BG020197
3	BG007852
4	BG011077
5	BG013332
6	GG907111030Z
7	BG013331
8	GG905300010
9	GG950200001
10	GG905400008
11	GG950200002
12	GG900508012Z
13	GG950200020
14	GG905400016
15	GG911634920
16	GG161200061Z
17	GG171500026Z
18	GG500512096Z
19	GG500512116Z
20	GG911225915
21	GG905400012
22	GG500200005Z
23	GG500400011
24	GG900310100Z
25	GG905400010
26	GG161200075Z
27	GG919900045V
28	GG919800020
29	GG907012025Z
30	BG027895
31	GG500500004Z
32	GG905300006
35	GG900116050Z
36	GG905100016Z
37	GG900316110Z
38	GG550501500
39	GG550601500
40	GG550501500
41	GG550401500
42	GG500600002Z
43	GG900508022Z
44	GG906000008Z
45	GG999900004Z
46	GG900114040Z
47	GG905100014Z
48	GG950130030
49	BG028332
50	GGA00425130
51	BB50112041
50	GG907106018Z

12,5 m  
12 m  
12,5 m  
12 m

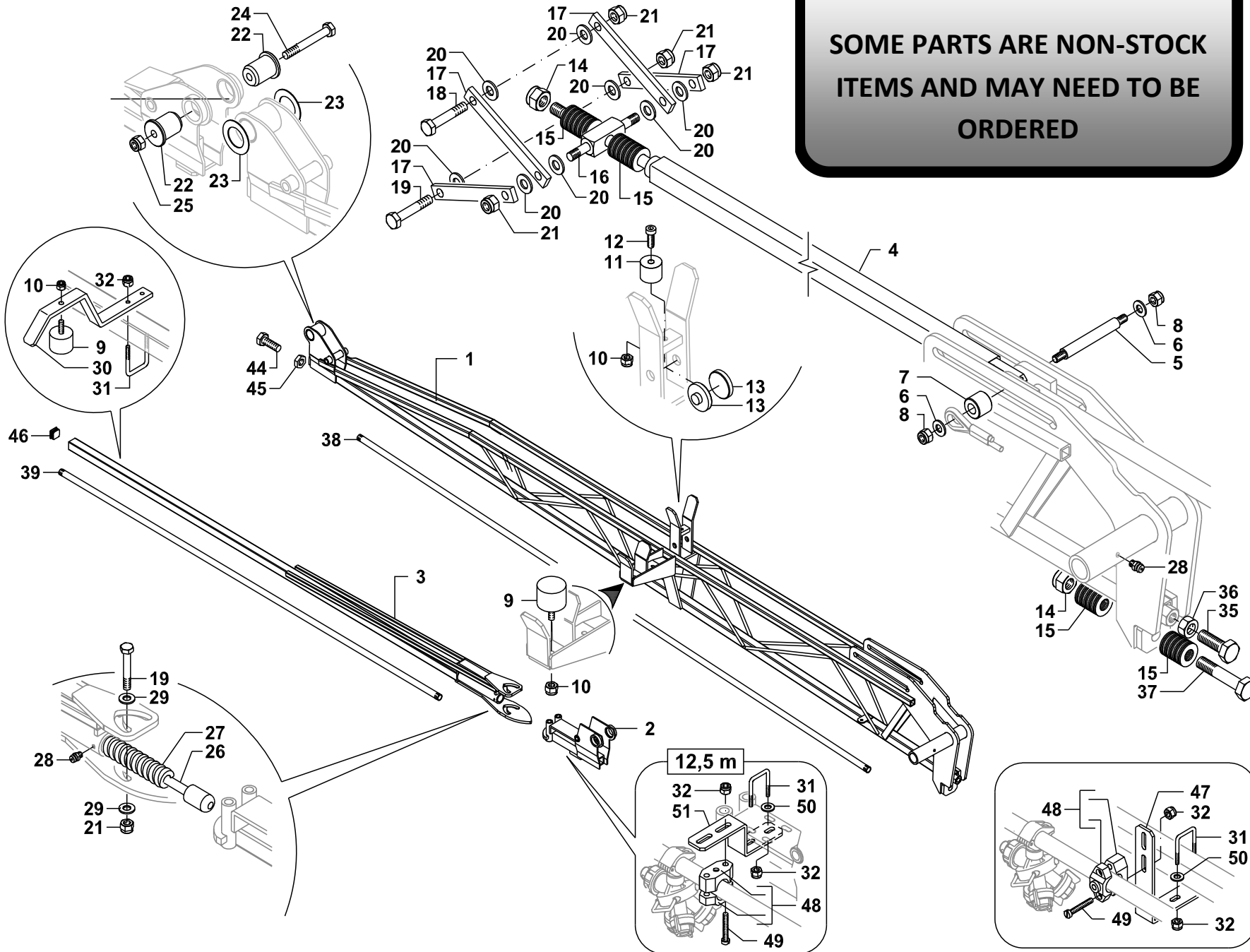
**BDX 12/12,5 m**

# NOTE

SOME PARTS ARE NON-STOCK  
ITEMS AND MAY NEED TO BE  
ORDERED

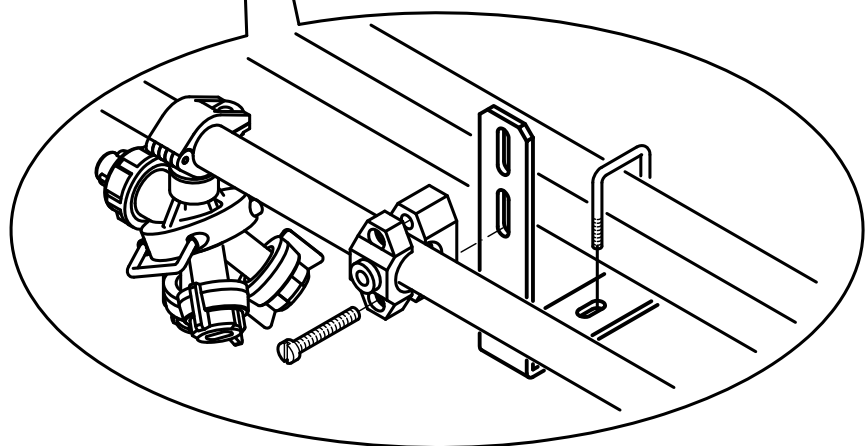
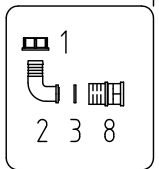
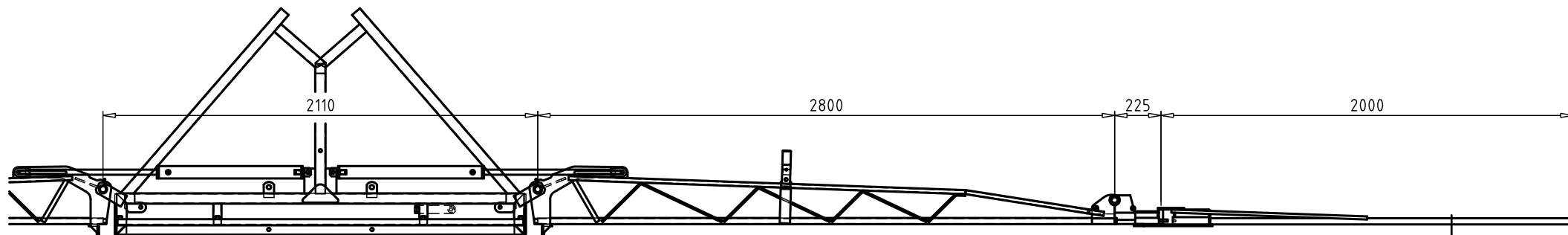


51 BG026979



BDX 12/12,5 m

18 11 01 01 02



- 1- GIRELLO 3/4" (A00200030)
- 2- PORTAGOMMA 90° 3/4" D=13 (A00115313)
- 3- GUARNIZIONE PIANA 3/4" (A00G40013)
- 7- KIT PORTAGOMMA D=13 (999900035)
- 8- RIDUZIONE M 3/4" - F 1/2" (A002452032S)
- KIT TAPPO NYLON F1/2" (999900008)
- KIT FASCIA DI PROTEZIONE

Particolare				Codice
Barra "BDX" 12m passo 500mm 5 Al.13				BG013720
Inizio Validità	Ultima Revisione	Disegnatore	Approvato da	 <b>BARGAM</b> <small>BARIGELLI GAMBETTI</small> <small>BARGAM S.p.A.</small> <small>DIVISIONE SPRAYERS - 40026 IMOLA (BO)</small> <small>DIVISIONE MACCHINE - Fraz.ne STRADA 62011 CINGOLI (MC)</small>
30/11/2004	01.10.2012	T.Bacchilega	M.Caroli	
Directory		File	Cliente	
Bargam/ BDX		BG013720		
Proprietà riservata - Riproduzione vietata - La ditta tutela i propri diritti sui disegni a termine di legge.				