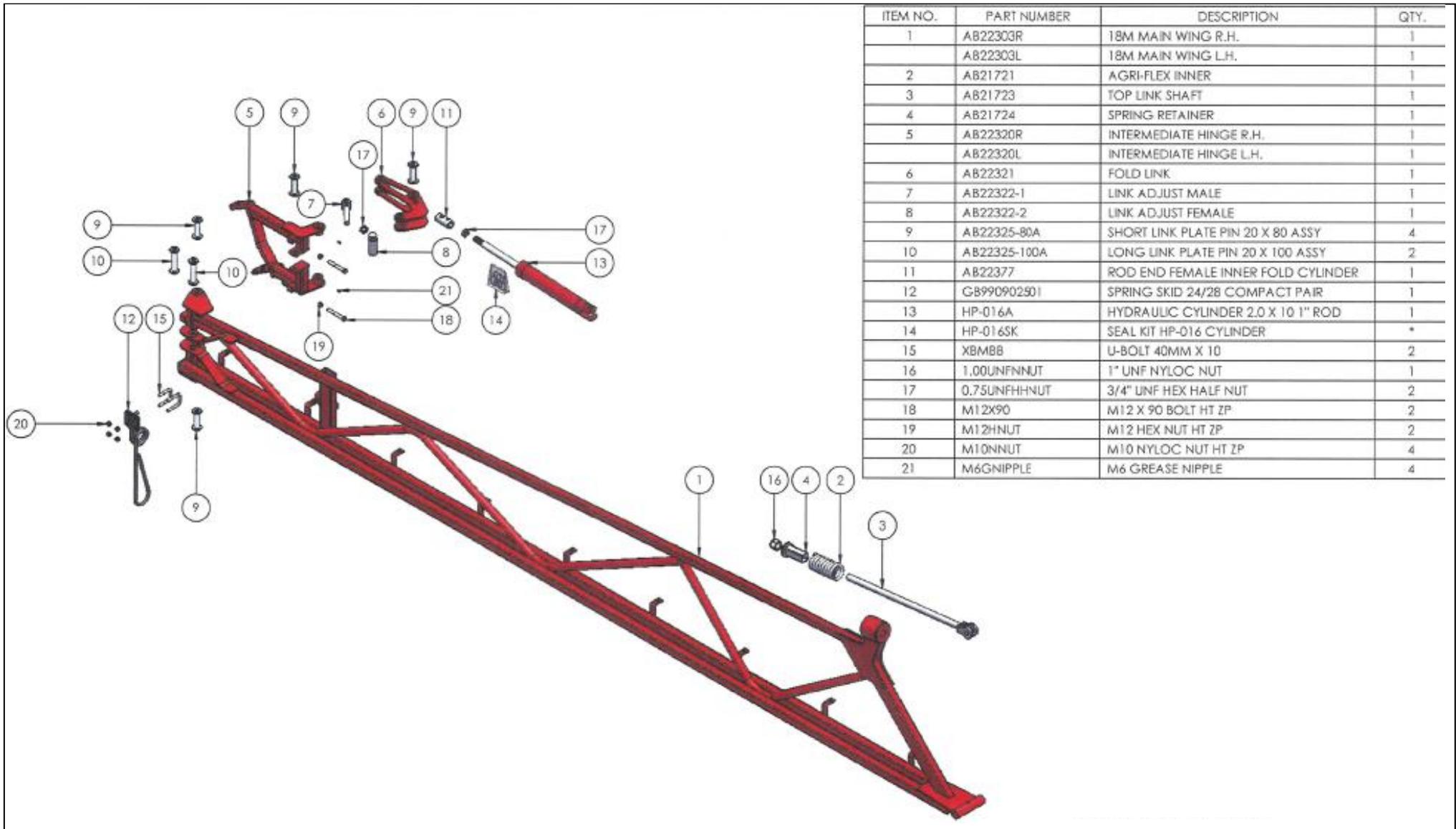
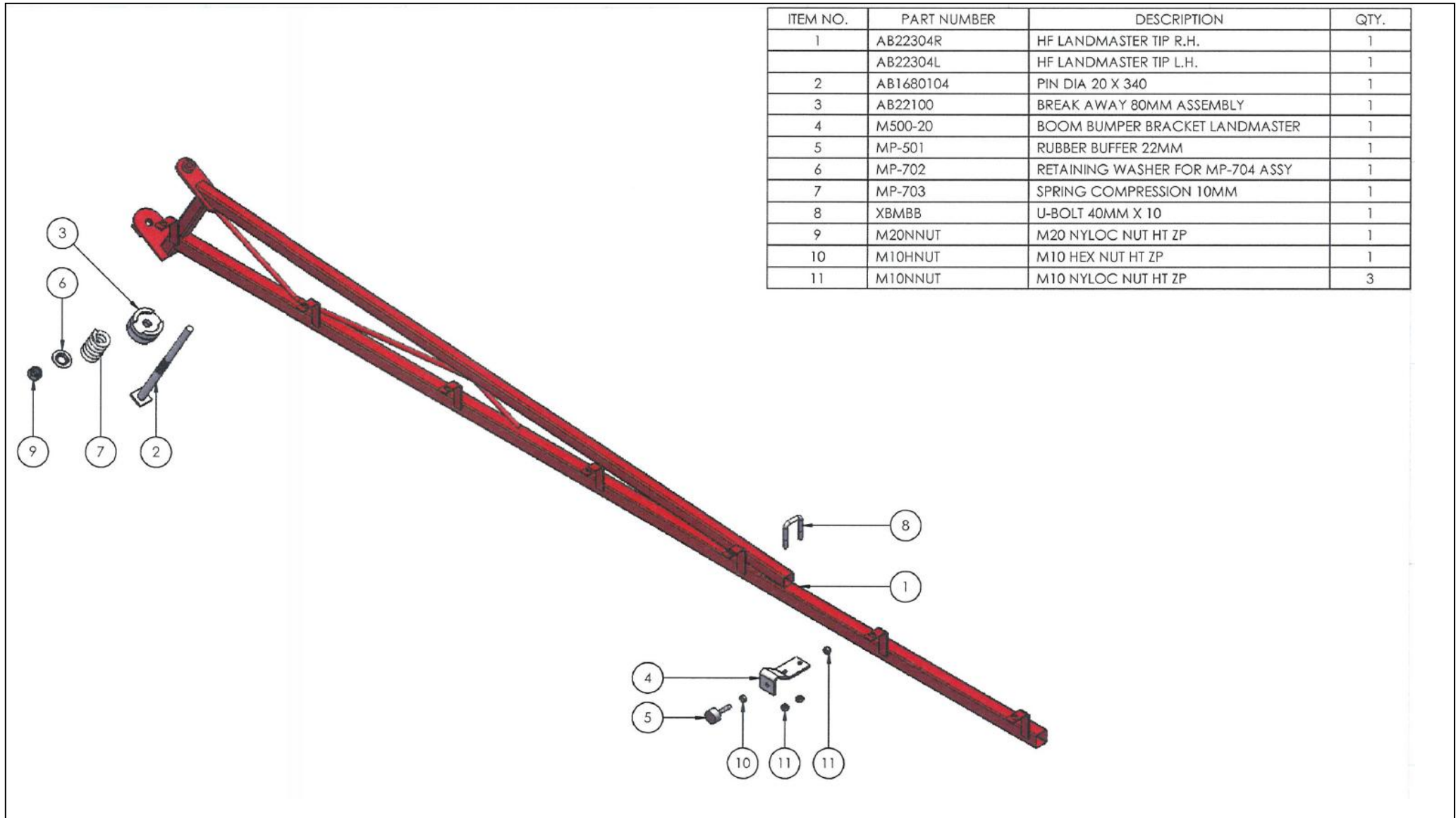


CROPLANDS PART NUMBERS: ML18-002BR – Landmaster Boom Arm 16/18m RH Standard





ITEM NO.	PART NUMBER	DESCRIPTION	QTY.
1	AB22304R	HF LANDMASTER TIP R.H.	1
	AB22304L	HF LANDMASTER TIP L.H.	1
2	AB1680104	PIN DIA 20 X 340	1
3	AB22100	BREAK AWAY 80MM ASSEMBLY	1
4	M500-20	BOOM BUMPER BRACKET LANDMASTER	1
5	MP-501	RUBBER BUFFER 22MM	1
6	MP-702	RETAINING WASHER FOR MP-704 ASSY	1
7	MP-703	SPRING COMPRESSION 10MM	1
8	XBMBB	U-BOLT 40MM X 10	1
9	M20NNUT	M20 NYLOC NUT HT ZP	1
10	M10HNUT	M10 HEX NUT HT ZP	1
11	M10NNUT	M10 NYLOC NUT HT ZP	3