

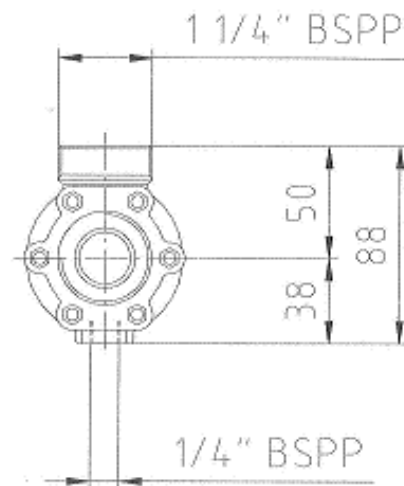
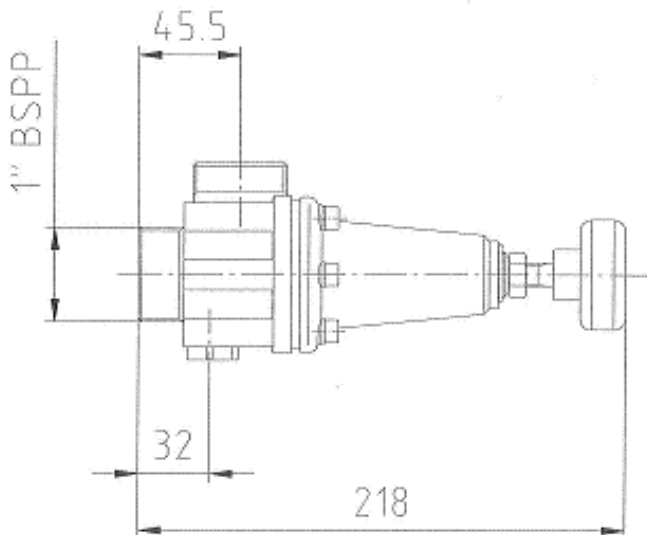
**CROPLANDS PART NUMBER: POLRX200000**

**SAFETY AND PRESSURE ' G ' VALVE**

AUTOMATIC SPRING-LOADED MAXIMUM PRESSURE SAFETY VALVES. These valves are made of a plastic (nylon and fiberglass) which is particularly resistant to liquid chemical products and even abrasive liquid chemical products. If they are used as safety valves, they guarantee a constant pressure whenever it is not necessary to continuously regulate the working pressure. Any excess liquid bypasses the valve and allows it to maintain a constant line pressure. Available in the membrane version (for better regulating accuracy) and the piston version (to deaden the effect of vibrations).

Function:	SAFETY VALVE G
Size:	1"
Max. Pressure (Bar):	20
IN:	Quick Fork Connection 40 M.
OUT:	1" ¼
Version:	Membrane Version

**POL65400772 – DIAPHRAGM**



**Service and Parts advice**