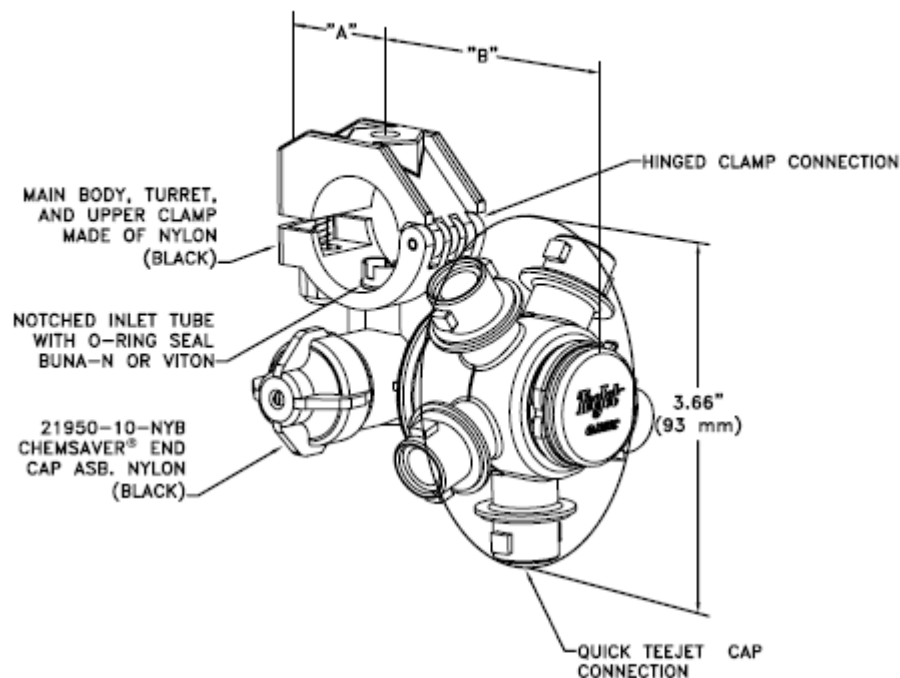


## CROPLANDS PART NUMBERS: QJ363-1/2-NYB – TEEJET ½" TRIPLE NOZZLE BODY WINDMALL VERSION



TO INSTALL ASSEMBLY DRILL 3/8" (9.5 mm) DIAMETER HOLE IN PIPE, DEBURR, THEN INSERT NOZZLE BODY INLET AND CLAMP ASSEMBLY IN PLACE.

PART NO.	NUMBER OF OUTLETS	TO CLAMP ON	"A"	"B"
QJ36*C-1-NYB	3, 4, OR 5	1" PIPE	1.24" (32 mm)	3.20" (81 mm)
QJ36*C-3/4-NYB	3, 4, OR 5	3/4" PIPE	1.07" (27 mm)	3.05" (77 mm)
QJ36*C-1/2-NYB	3, 4, OR 5	1/2" PIPE	1.10" (28 mm)	3.20" (81 mm)
QJ36*C-25mm-NYB	3, 4, OR 5	25mm O.D. Tubing	1.07" (27 mm)	3.05" (77 mm)

Note: All dimensions are approximate.

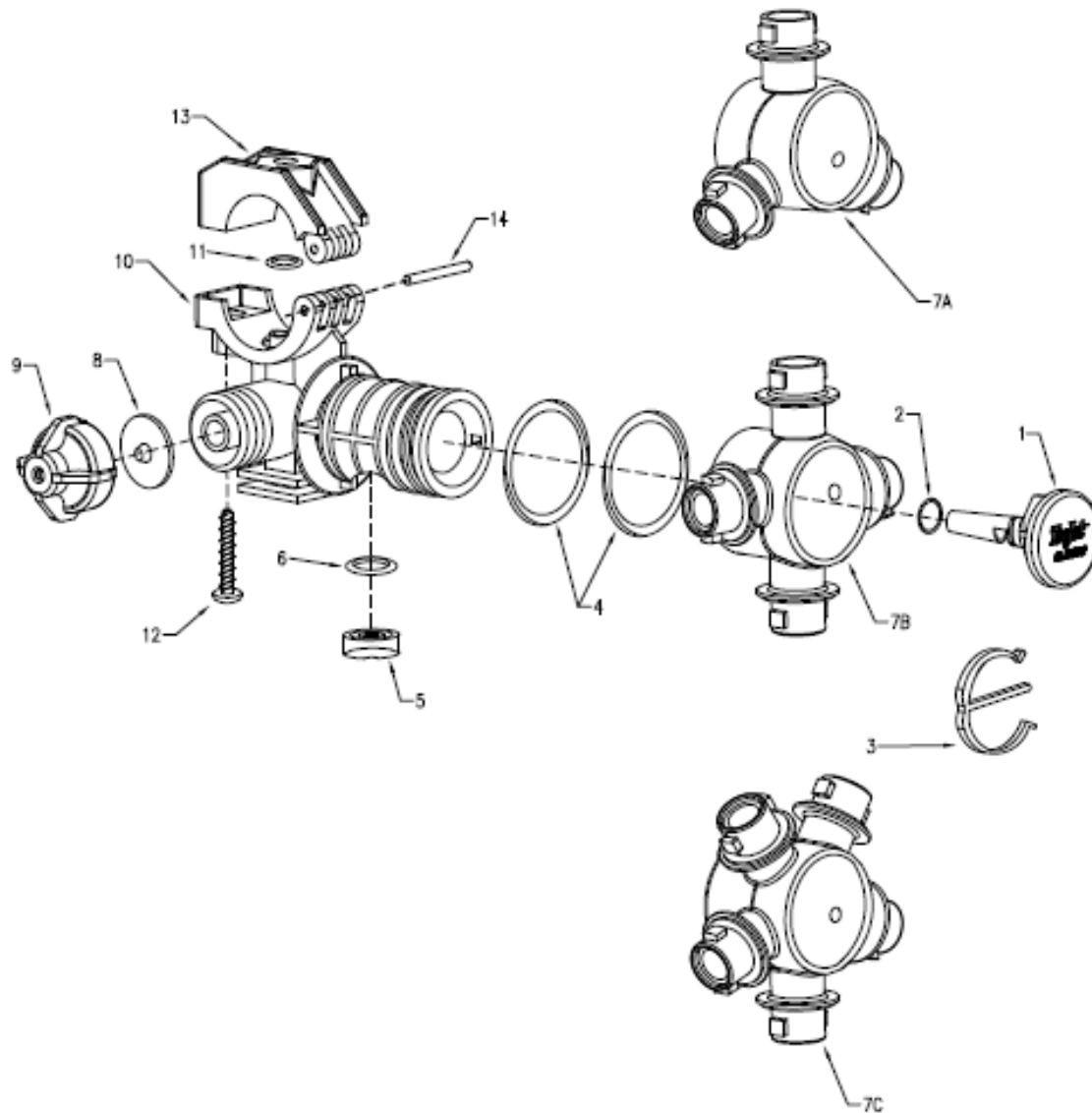
### FEATURES:

- QUICK HAND INDEXING WITH CHOICE OF THREE, FOUR, OR FIVE OUTLET TURRET.
- HINGED UPPER CLAMP AND SINGLE SCREW REDUCES ASSEMBLY TIME.
- ALLOWS FOR RAPID CHANGE OF SPRAY TIPS WITH USE OF QUICK TEEJET CAPS.
- POSITIVE SHUT-OFF BETWEEN EACH SPRAY POSITION.
- NOTCHED INLET TUBE ALLOWS FOR MORE COMPLETE BOOM DRAINAGE AND REDUCES SEDIMENT BUILDUP.
- MADE OF CORROSION RESISTANT MATERIALS.
- STANDARD O-RINGS AND DIAPHRAGM MADE OF EPDM, TEFLON FILLED EPDM, AND BUNA-N.
- OPTIONAL O-RINGS AND DIAPHRAGM MADE OF VITON AND TEFLON FILLED VITON.
- STANDARD OPENING PRESSURE – 10 PSI (0.7 bar)
- MAXIMUM OPERATING PRESSURE – 300 PSI (20 bar).
- FLOW RATE: 2.25 GPM (8.5 l/min) WITH A 5 PSI PRESSURE DROP
- AVAILABLE FOR 25mm TUBING; 1/2", 3/4", AND 1" PIPE.
- HEX SOCKET IN CENTER OF UPPER CLAMP PERMITS ATTACHMENT TO FLAT SURFACE USING CUSTOMER SUPPLIED FASTENER.
- IF TURRET BECOMES DIFFICULT TO TURN REMOVE E-CLIP, SLIDE TURRET OFF BODY, AND LUBRICATE O-RINGS AND SEAL WITH A SILICONE BASED LUBRICANT.
- CLAMP ASSEMBLY WILL FIT INSIDE COMMON CHANNELS USED FOR SPRAY BOOMS.
- FOR 20mm VERSION, SEE DATA SHEET QJ360E.

### HOW TO ORDER:

QJ365C-1-NYB QUICK TEEJET NOZZLE BODY ASSEMBLY

QJ365C-1-NYB-VI QUICK TEEJET NOZZLE BODY ASSEMBLY  
(VITON DIAPHRAGM AND O-RINGS)



ITEM	PART NO.	DESCRIPTION
1	CP38930-8-NYB	Plug, Nylon (Black)
2	CP7717-2-13-EPR	O-Ring, EPDM
	CP7717-2-13-VI	O-Ring, Viton (Optional)
3	CP38931-NYB	E-Clip, Nylon (Black)
4	CP7717-M28x3-EPRTFE	O-Ring, EPR-Teflon Filled (2 Req'd.)
	CP7717-M28x3-VITFE	O-Ring, Viton-Teflon Filled (2 Req'd.) (Optional)
5	CP56726-VITFE	Seal, Viton-Teflon Filled
6	CP7717-2-111-VI	O-Ring, Viton
7A	CP38921-2-NYB	Turret, Nylon (Black) (3 Outlet)
7B	CP38922-2-NYB	Turret, Nylon (Black) (4 Outlet)
7C	CP38923-2-NYB	Turret, Nylon (Black) (5 Outlet)
8	CP21953-EPR	Diaphragm, EPDM
	CP21953-VI	Diaphragm, Viton (Optional)
9	21950-10-NYB	End Cap Sub-assembly, Nylon (Black)
10	CP38942-2-NYB	1/2" Body, Nylon (Black)
	CP38925-2-NYB	3/4" & 25mm Body, Nylon (Black)
	CP38926-2-NYB	1" Body, Nylon (Black)
11	CP7717-2-110-BU	O-Ring, Buna-N
	CP7717-2-110-VI	O-Ring, Viton (Optional)
12	CP48255-1-1/4-302SS	Screw, Stainless Steel
13	CP48223-NYB	1/2" Upper Clamp, Nylon (Black)
	CP48221-NYB	3/4" Upper Clamp, Nylon (Black)
	CP48222-NYB	1" Upper Clamp, Nylon (Black)
	CP48224-NYB	25mm Upper Clamp, Nylon (Black)
14	CP48256-SS	Pivot Pin, Stainless Steel
		No. QJ36_C-1/2-NYB(-VI) - 1/2" Wet Boom Nozzle Body*
		No. QJ36_C-3/4-NYB(-VI) - 3/4" Wet Boom Nozzle Body*
		No. QJ36_C-1-NYB(-VI) - 1" Wet Boom Nozzle Body*
		No. QJ36_C-25MM-NYB(-VI) - 25mm Wet Boom Nozzle Body*
*Notes: Specify Either 3, 4, or 5 in Part Number For Number of Outlets Desired, -VI in Part Number Specifies Viton O-Ring Option		