

CROPLANDS PART NUMBERS: QJ7421-1-NYB –TEEJET 1" SPLIT EYELET NOZZLE BODY

U.S. PATENT No.'S, 4527745, D280125,
OTHER U.S. AND FOREIGN PATENTS
GRANTED OR PENDING.

UPPER CLAMP
POLYPROPYLENE
(BLACK)

BODY WITH
LOWER CLAMP
MOLDED OF
NYLON (BLACK)

O'RING
SEAL

QUICK TEEJET® CAP WITH GROOVES THAT FIT LOCATING
LUGS OF BODY – CELCON. YELLOW COLOR STANDARD.
(OTHER COLORS OPTIONAL)

SELF TAPPING SCREW
STAINLESS STEEL

STRAINER

SEAT GASKET

LOCATING LUG
(ON BOTH SIDES)

TEEJET SPRAY TIP – FLAT SPRAY PATTERN
AUTOMATICALLY POSITIONED AT 15°
OFF-SET FROM BOOM AXIS.

TO INSTALL ASSEMBLY DRILL 3/8" (9.5 mm)
HOLE IN PIPE, DEBURR, THEN INSERT
SPLIT-EYELET INLET AND CLAMP
ASSEMBLY IN PLACE

OTHER FEATURES:

- FAST AND EASY WAY TO MOUNT SPRAY NOZZLES TO A BOOM.
- QUICK CHANGE OF INTERCHANGEABLE TEEJET®, FLOODJET® AND CONEJET® TIPS... AS WELL AS DISC-CORE COMBINATIONS.
- MADE OF CORROSION RESISTANT MATERIALS.
- STANDARD O'RING IS BUNA-N. VITON® OPTIONAL.
- THE TWO CLAMP SCREWS CAN ALSO BE USED TO ATTACH THE SPRAY BOOM TO A FLAT METAL BRACKET OR PLATE SUPPORT.
- No. CP1943B-EPR SEAT GASKET MADE OF EPDM. No. CP1943B-VI VITON® OPTIONAL.
- MAXIMUM OPERATING PRESSURE – 300 PSI (20 bar).

QJ7421-- SPLIT-EYELET QUICK TEEJET NOZZLES ARE SUPPLIED COMPLETE WITH NOZZLE BODY, QUICK TEEJET CAP, AND SEAT GASKET... TOGETHER WITH SPRAY TIP (AND STRAINER IF RECOMMENDED FOR TIP SIZE).

HOW TO ORDER:

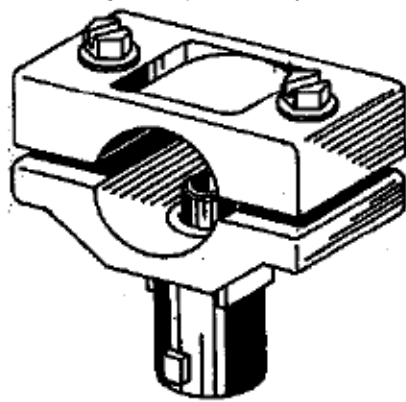
FOR SPLIT-EYELET QUICK TEEJET BODY ASB. ONLY (LESS CAP, SEAT GASKET, TIP & STRAINER:
SPECIFY BODY ASSEMBLY No.

EXAMPLE: QJ7421-1/2-NYB SPLIT-EYELET QUICK TEEJET BODY ASSEMBLY

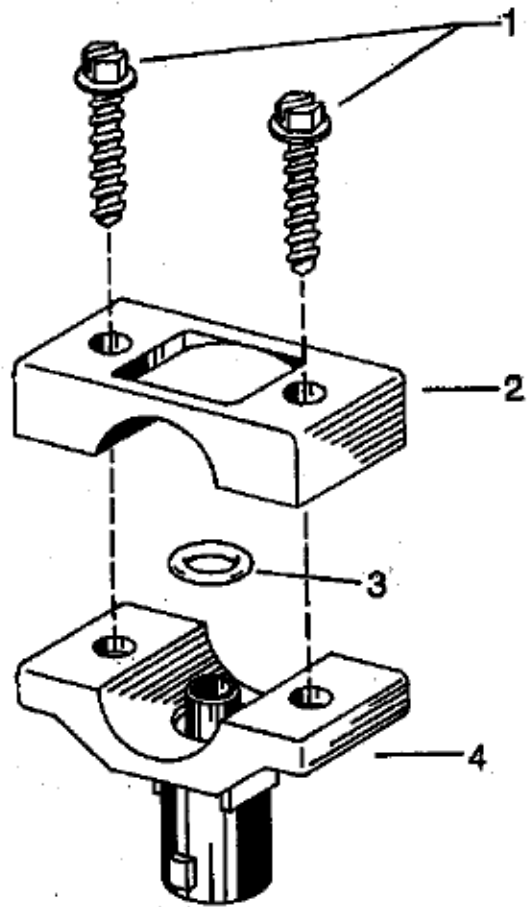
FOR COMPLETE NOZZLE: SPECIFY THE BODY ASB. No., SPRAY TIP No., MATERIAL.

EXAMPLES: QJ7421-1/2-NYB+8002-SS SPLIT-EYELET QUICK TEEJET NOZZLE WITH STAINLESS STEEL TIP
QJ7421-1/2-NYB+TK-2 SPLIT-EYELET QUICK TEEJET NOZZLE WITH BRASS FLOODJET TIP

BODY ASSEMBLY No.	"A" APPROX.	"B"	TO CLAMP ON
QJ7421-1/2-NYB	2 1/4" (56 mm)	1 3/16" (30 mm)	1/2" PIPE, 13/16" & 7/8" O.D. TUBINGS (20-22 mm O.D.)
QJ7421-3/4-NYB	2 3/8" (60 mm)	1 3/16" (30 mm)	3/4" PIPE, 1" & 1 1/16" O.D. TUBINGS (25-27 mm O.D.)
QJ7421-1-NYB	2 1/2" (62 mm)	1 3/16" (30 mm)	1" PIPE, 1 1/8", 1 1/4", 1 3/8" O.D. TUBINGS (32-35 mm O.D.)



(SEE NOTE)



NOTE: Item No. 5 is a special seal designed for use on booms which already have 7/16" dia. drilled holes - or - 1/4" NPT(F) tapped holes. When used, it replaces item No. 3

ITEM	PART NO.	DESCRIPTION
* 1	CP17674-1 1/4-SS	Screw, Stainless Steel (2 Req'd)
2	CP17553-PPB	Upper Clamp, Polypropylene (Black)
3	CP7717-2-110-BU	O'Ring, Buna-N (Standard)
	GP7717-2-110-VI	O'Ring, Viton (Optional)
4	CP18667-NYB	Body, Nylon (Black)
5	CP18294-EPR	Seal, EPDM Rubber (Optional)
	CP18294-VI	Seal, Viton (Optional)
No. QJ7421-1-NYB Split Eyelet Quick TeeJet Body Assembly		

* CP17674-1 3/8-SS, Screw (Optional), for attaching to mounting plate