

2088 Series Diaphragm Pumps

Automatic-Demand Pumps 12 VDC

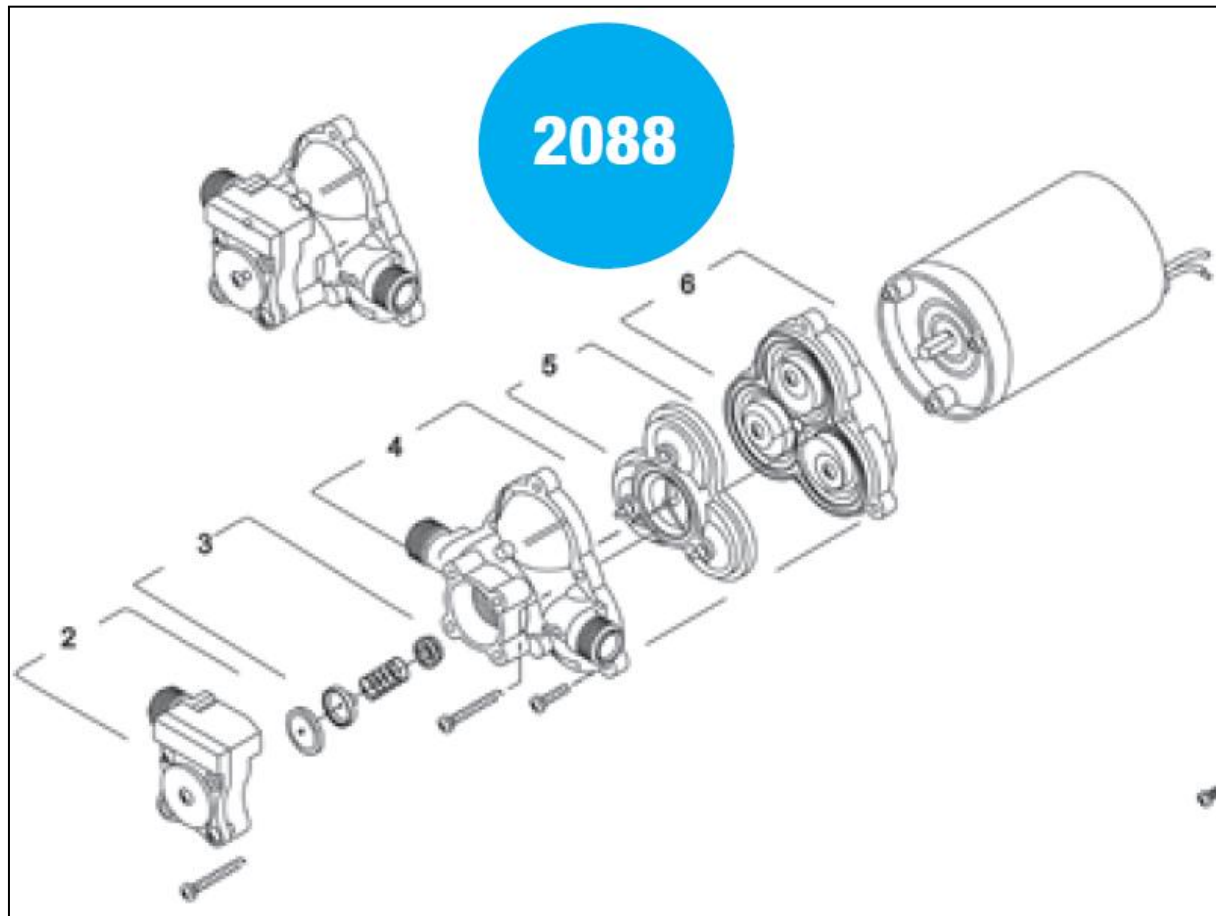


2088-343-135

- Self-priming up to 12 vertical feet [3.7m]
- Chemical-resistant materials
- Can run dry without damage
- Automatic demand
- Built-in check valve (varies by model) prevents back flow of fluid into the solution tank
- Continuous duty motor on fin-cooled version

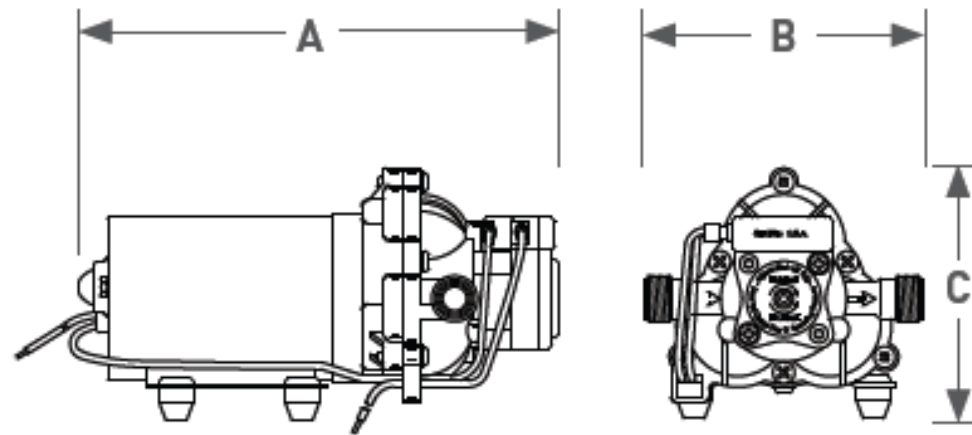
SHURflo 2088 Series diaphragm pumps deliver reliable performance in high flow, moderate pressure applications. They are used in a variety of spot spraying, multi-tip spraying and fertilizer drip applications that require flows of up to 3.6 GPM [13.6 L/min]. They are available in a variety of chemical-resistant materials.

Part #	Description	Max GPM	Max PSI	Port Size	Max Draw
2088-313-145	Standard Pump: with fin cooled motor Viton valves, Santoprene diaphragm, 45 PSI demand switch	3.6	40	1/2" MSPT* Male	9.5



Model Number	1 Complete Pump head Assembly	2 Switch Assembly	3 Check Valve Assembly	4 Upper Housing	5 Bypass/ Non Bypass Valve Assembly	6 Drive/Impeller Diaphragm Assembly	7 Motor
2088-313-145	94-286-15	94-230-55	94-237-05	94-231-30	94-232-05	94-238-03	11-185-06
2088-343-135	94-236-11	94-230-36	94-237-05	94-231-30	94-232-05	94-238-03	11-111-00

2088 Series



Model No.	A	B	C
2088-313-145	9.90"/25.1 cm	5.00"/12.6 cm	4.40"/11.2 cm
2088-343-135	8.60"/21.8 cm	5.00"/12.7 cm	4.45"/11.3 cm
2088-343-170	9.90"/25.1 cm	5.00"/12.7 cm	4.45"/11.3 cm
2088-343-500	8.25"/21.0 cm	5.00"/12.7 cm	4.45"/11.3 cm
2088-394-144	8.60"/21.8 cm	5.00"/12.7 cm	4.50"/11.4 cm
2088-394-154	8.60"/21.8 cm	5.00"/12.7 cm	4.40"/11.2 cm
2088-443-144	8.60"/21.8 cm	5.00"/12.7 cm	4.45"/11.3 cm

