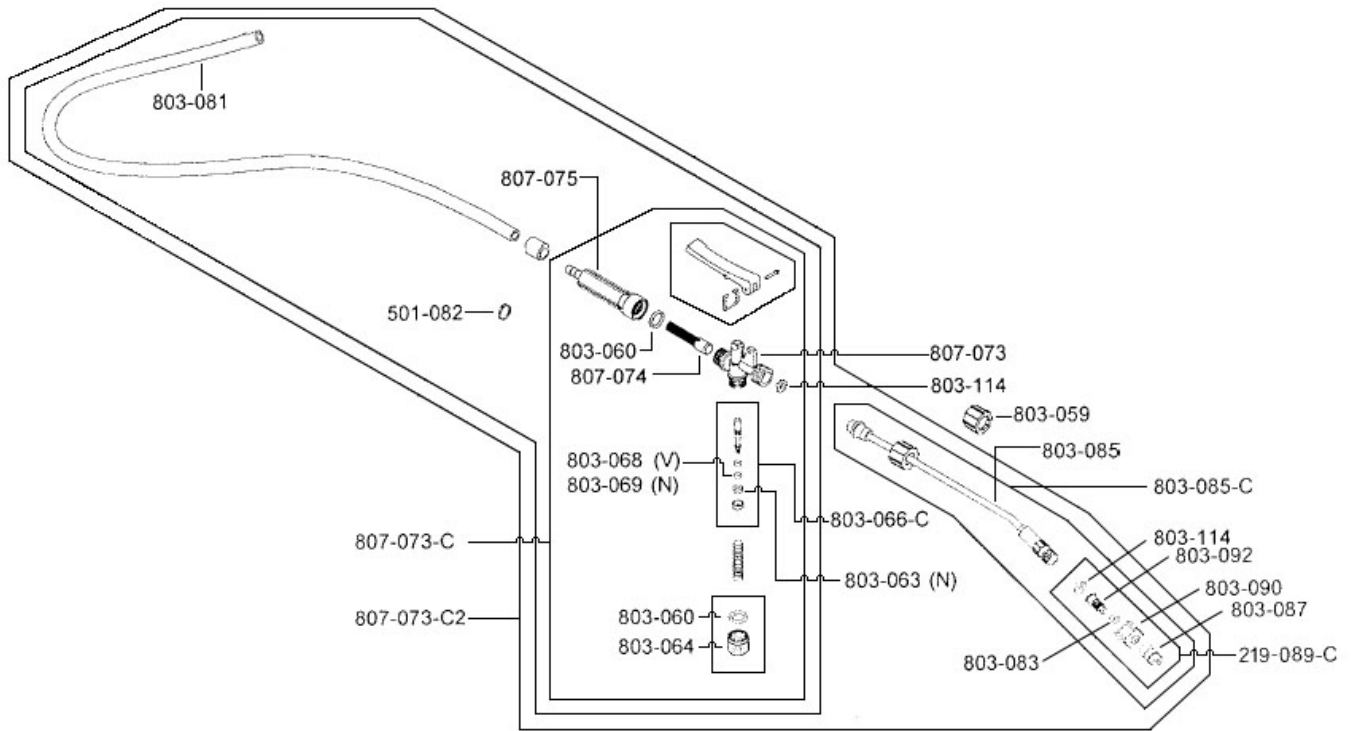
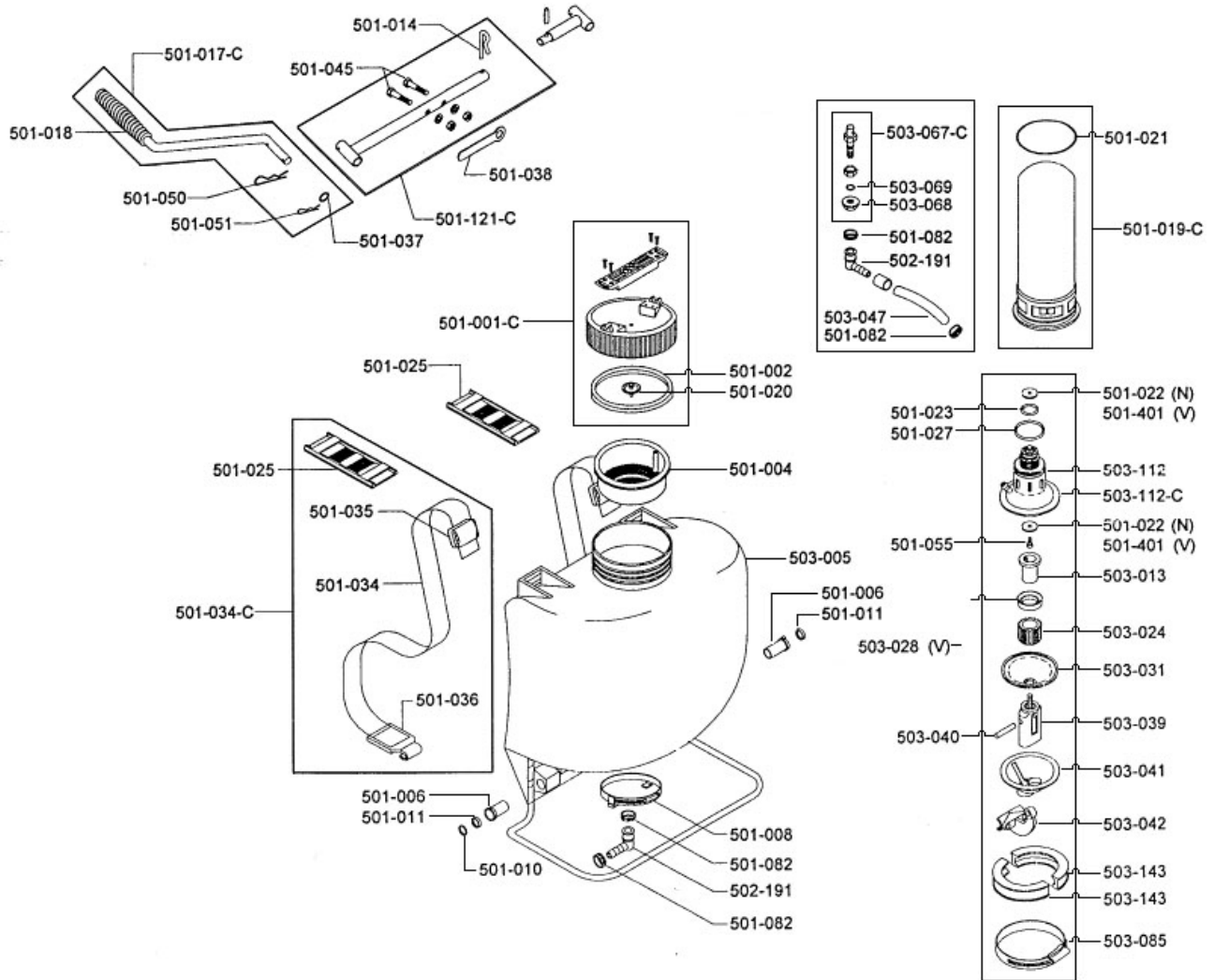


SW503



The Croplands knapsack is backed by an exclusive two year warranty, and its unique features make for easier operation, superior comfort, safety and reliability

Lance clips into the lid for easy storage & carrying

Convenient sprayer carry handle

Long poly lance

Comfortable handgrip with lever lock

New adjustable nozzle

Safer, wide 5½" dia. port with filling strainer

Pressure filter in-built

Large 15 litre tank

Sturdy one-piece handle folds for easy storage

Strong, easy to clean polyethelene tank with UV inhibitors for long life

Wide, non-absorbent polyester straps with heavy duty padding for strength, comfort and safety

New non-leak, machine sealed, high quality dual piston/diaphragm pump (up to 6 bar) with viton seals & diaphragm - for wear resistance and reliability

Order Code:
SW503

