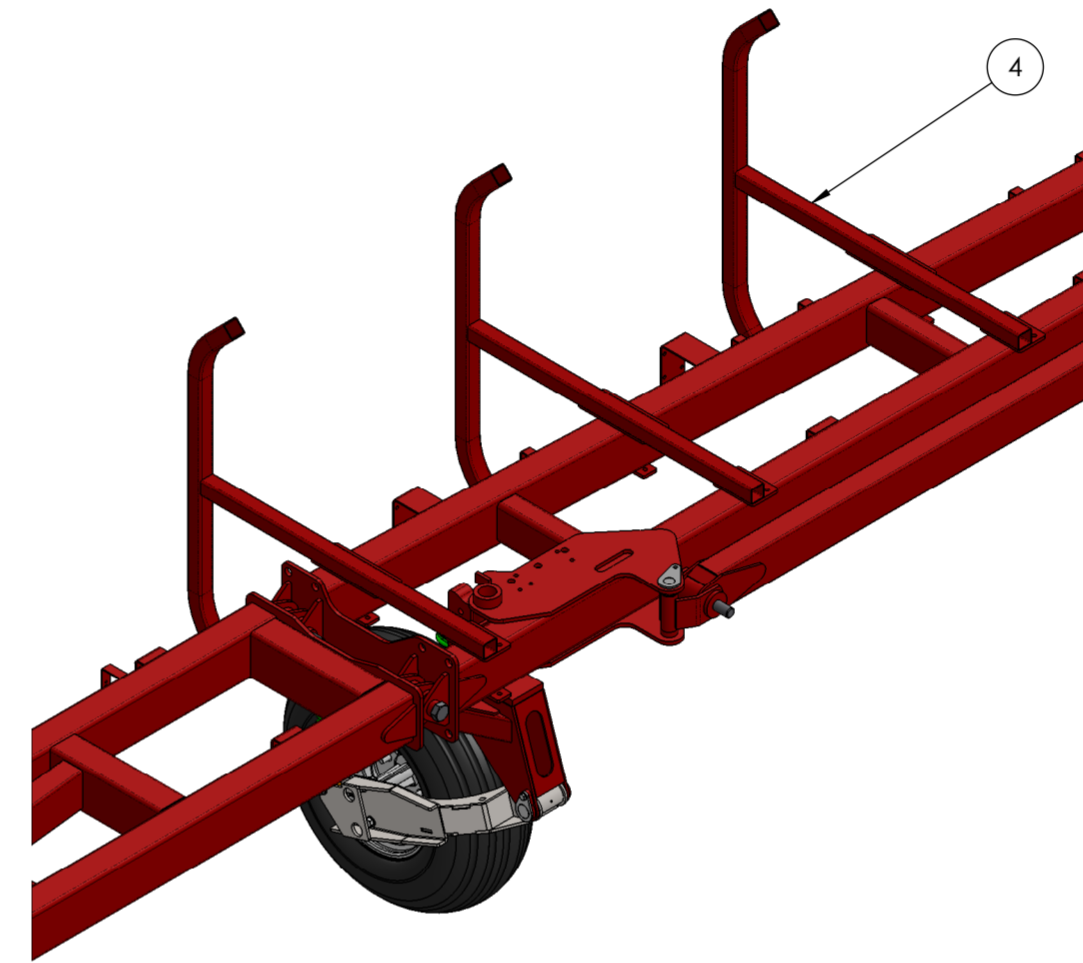


36M WEEDIT BOOM

ITEM NO.	PART NUMBER	DESCRIPTION	QTY.
1	AB243000-200	FIRST ARM WING KIT SHADOW BOOM	1
2	AB243000-110A	STEERING CASTOR ASSY VER 2	1
3	AB243000-400L	OUTRIGGER DOCKING KIT LH	1
4	AB243000-700A	BOOM BUMPER KIT 18-36M	1
5	AB243000-120A	OUTER CASTOR KIT VER 2	1
6	AB243000-600A	OUTER WING KIT 36M VER 2	1
7	AB243000-500A	SECOND ARM 36M VER 2	1

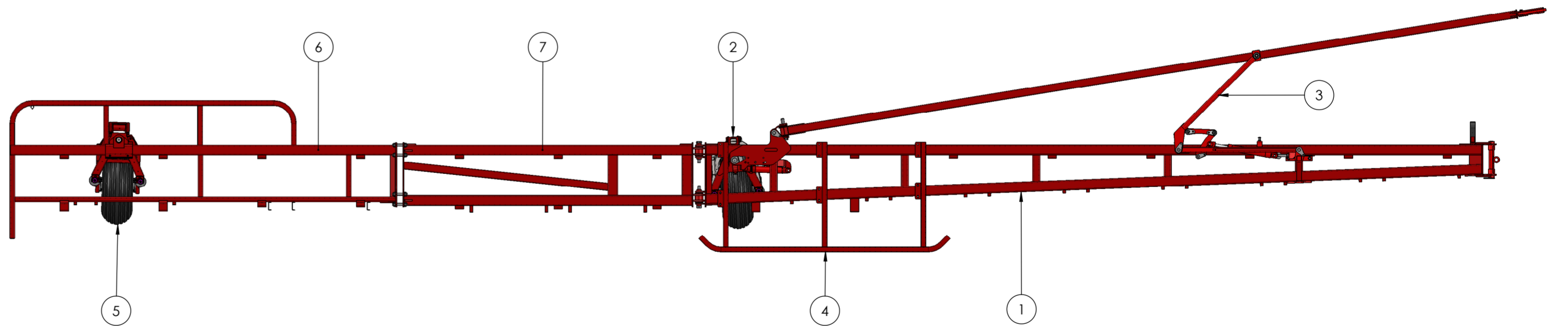
THIS DOCUMENT IS AN OVERVIEW OF THE SERIES 3 WEEDIT BOOM
 FOR MORE DETAIL SEE INDIVIDUAL BOOM DRAWINGS
 QUANTITIES ARE SHOWN FOR L.H. BOOM ONLY WITH THE
 EXCEPTION OF AB243000-700A
 ALL PARTS ARE SYMMETRICAL EXCEPT AB243000-400L - USE AB243000-400R
 FOR THE R.H. BOOM



FITTING OF AB243000-700A
ON RIGHT HAND BOOM

32M WEEDIT BOOM

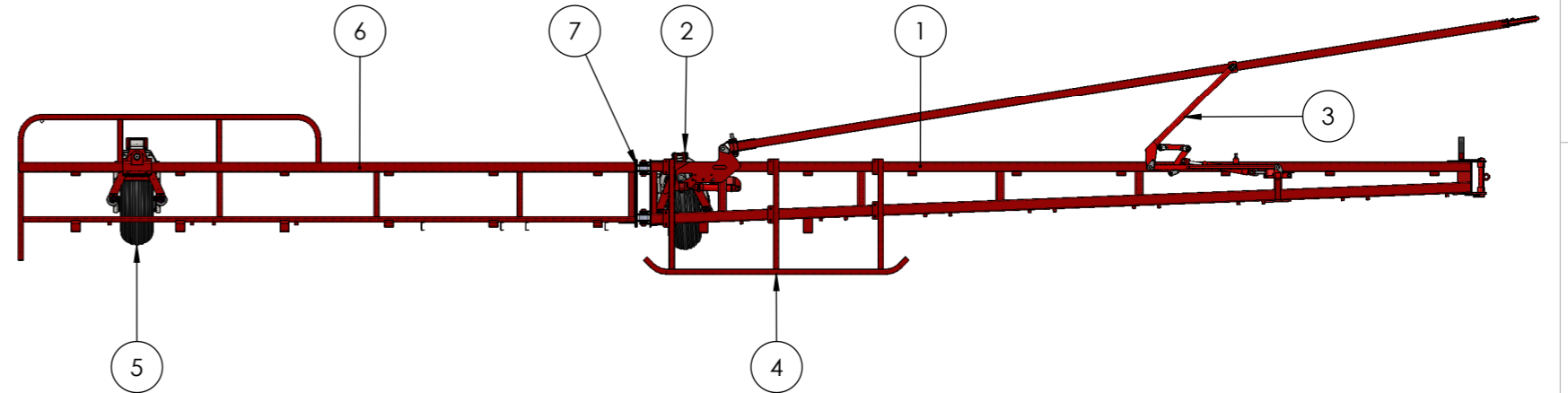
ITEM NO.	PART NUMBER	DESCRIPTION	QTY.
1	AB243000-200	FIRST ARM WING KIT SHADOW BOOM	1
2	AB243000-110A	STEERING CASTOR ASSY VER 2	1
3	AB243000-400L	OUTRIGGER DOCKING KIT LH	1
4	AB243000-700A	BOOM BUMPER KIT 18-36M	1
5	AB243000-120A	OUTER CASTOR KIT VER 2	1
6	AB243000-900	OUTER WING KIT 32M	1
7	AB243000-500A	SECOND ARM 36M VER 2	1



UNLESS OTHERWISE SPECIFIED: DIMENSIONS ARE IN MILLIMETERS SURFACE FINISH: ± 0.2 TOLERANCES: LINEAR: ± 0.5 ANGULAR: ± 0.5		FINISH: N/A	DEBUR AND BREAK SHARP EDGES	DO NOT SCALE DRAWING	ISSUE	A
DRAWN: LJSMITH CHKD: APPVD: MFG: Q.A:			SIGNATURE: DATE: 150615 REVISION:	CROPLANDS A NUFARM LIMITED COMPANY TITLE: WEEDIT SERIES 3 WEEDIT BOOM BREAKDOWN 36M AND 32M		
MATERIAL: N/A			DWG NO. WEEDIT BOOM BREAKDOWN		A2	
WEIGHT:			SCALE: 1:40		SHEET 1 OF 2	

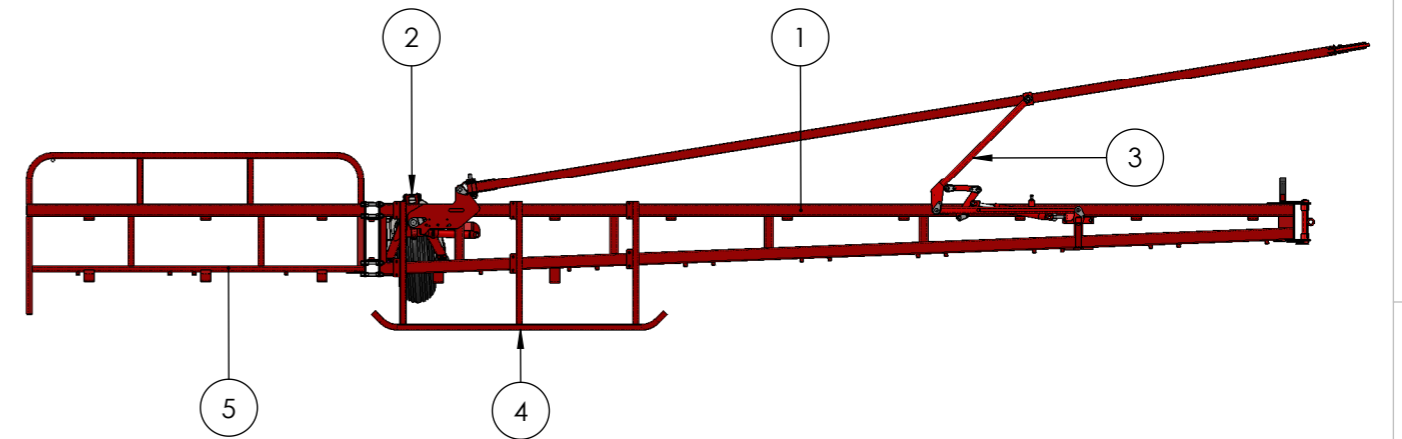
30M WEEDIT BOOM

ITEM NO.	PART NUMBER	DESCRIPTION	QTY.
1	AB243000-200	FIRST ARM WING KIT SHADOW BOOM	1
2	AB243000-110A	STEERING CASTOR ASSY VER 2	1
3	AB243000-400L	OUTRIGGER DOCKING KIT LH	1
4	AB243000-700A	BOOM BUMPER KIT 18-36M	1
5	AB243000-120A	OUTER CASTOR KIT VER 2	1
6	AB243000-600A	OUTER WING KIT 36M VER 2	1
7	AB243308-100A	HINGE PLATE 30M SERIES 3 WEEDIT	1



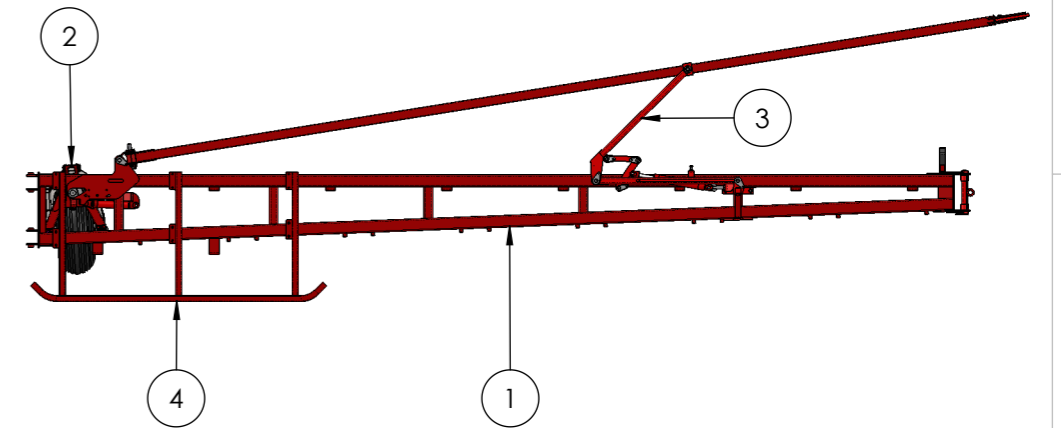
24M WEEDIT BOOM

ITEM NO.	PART NUMBER	DESCRIPTION	QTY.
1	AB243000-200	FIRST ARM WING KIT SHADOW BOOM	1
2	AB243000-110A	STEERING CASTOR ASSY VER 2	1
3	AB243000-400L	OUTRIGGER DOCKING KIT LH	1
4	AB243000-700A	BOOM BUMPER KIT 18-36M	1
5	AB243000-800A	OUTER WING KIT 24M VER 2	1



18M WEEDIT BOOM

ITEM NO.	PART NUMBER	DESCRIPTION	QTY.
1	AB243000-200	FIRST ARM WING KIT SHADOW BOOM	1
2	AB243000-110A	STEERING CASTOR ASSY VER 2	1
3	AB243000-400L	OUTRIGGER DOCKING KIT LH	1
4	AB243000-700A	BOOM BUMPER KIT 18-36M	1



UNLESS OTHERWISE SPECIFIED: DIMENSIONS ARE IN MILLIMETERS SURFACE FINISH: ± 0.2 TOLERANCES: LINEAR: ± 0.5 ANGULAR: ± 0.5		FINISH: N/A	DEBUR AND BREAK SHARP EDGES 	DO NOT SCALE DRAWING	ISSUE	A
NAME			SIGNATURE	DATE	REVISION	TITLE: CROPLANDS A NUFARM LIMITED COMPANY WEEDIT SERIES 3
DRAWN			LJSMITH	150615		WEEDIT BOOM BREAKDOWN 18M, 24M, AND 30M
CHK'D						
APPV'D						
MFG						
Q.A						DWG NO. WEEDIT BOOM BREAKDOWN
MATERIAL: N/A			WEIGHT:		SCALE: 1:65	A3
COPYRIGHT PROPRIETOR THIS DRAWING IS THE PROPERTY OF CROPLANDS PTY. LTD. AND MUST BE TREATED AS CONFIDENTIAL. REPRODUCTION OF THIS DRAWING (OR PART THEREOF) OR COMMUNICATION OF ITS CONTENTS IS PROHIBITED WITHOUT THE CONSENT OF CROPLANDS PTY. LTD.			WEIGHT:		SCALE: 1:65	SHEET 2 OF 2